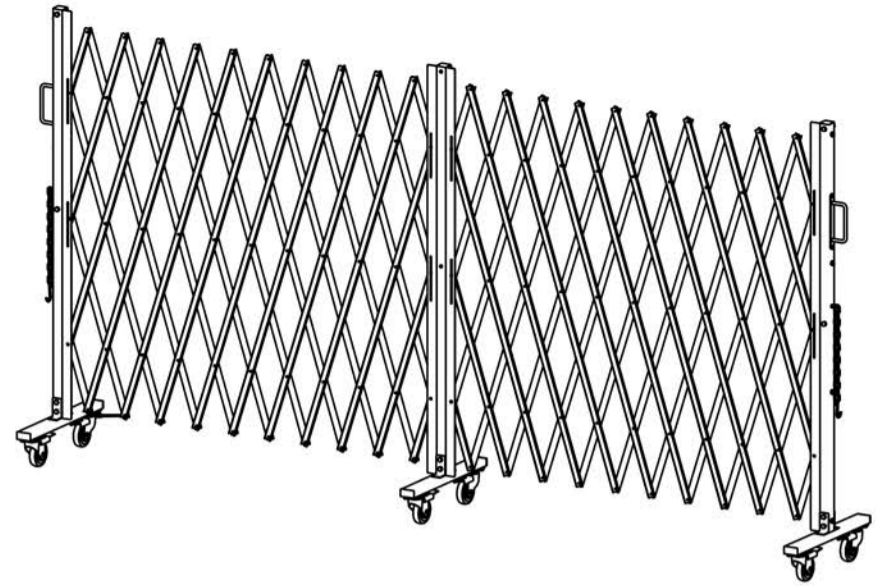
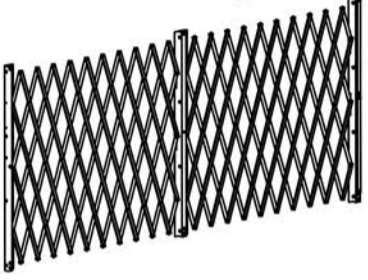
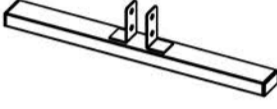



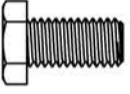
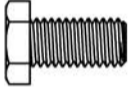
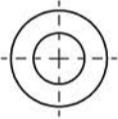

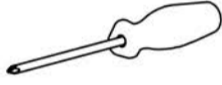




ASSEMBLY INSTRUCTION

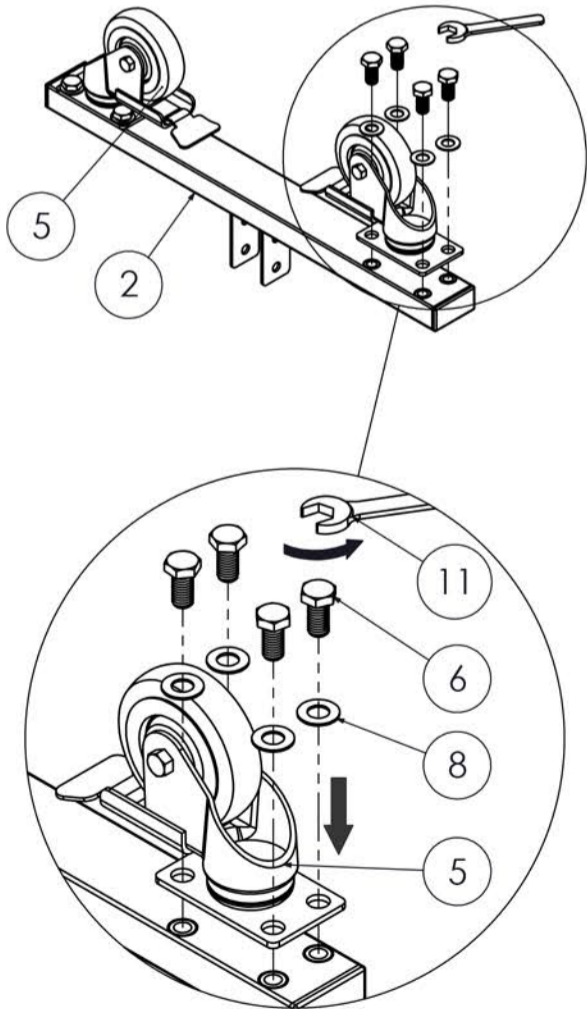
Metal Expandable Gate, 6 Ft and 7 Ft



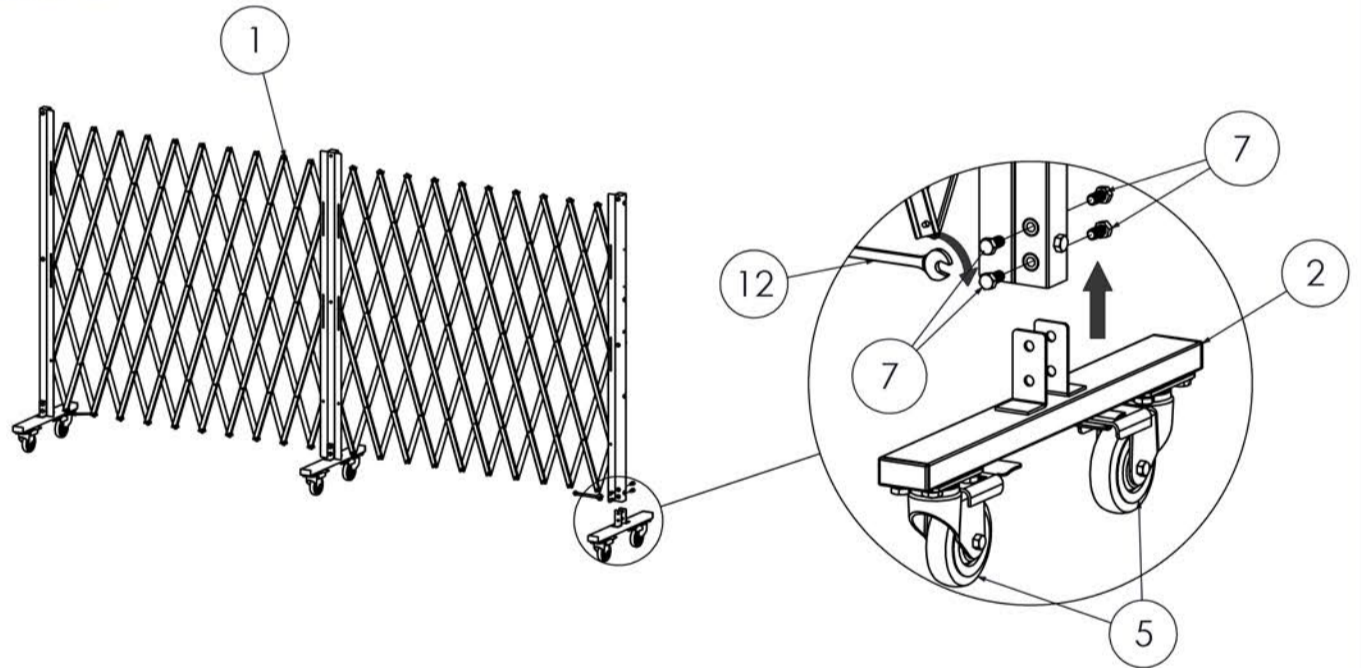
PARTS LIST

1	2	3	4	5		
Gate x 1pc 	Axle x 3pcs 	Handle x 2pcs 	Chain x2pcs 	Swivel Caster with Brake x6pcs 		
6	7	8	9	10	11	12
Hex Bolt (M8x20) x 24pcs 	Hex Bolt (M10x20) x 12pcs 	Washer x 24pcs 	Drill Screw x 4pcs 	Phillip Screwdriver 	13mm wrench or Socket 	17mm wrench or Socket 

STEP 1



STEP 2



STEP 3

