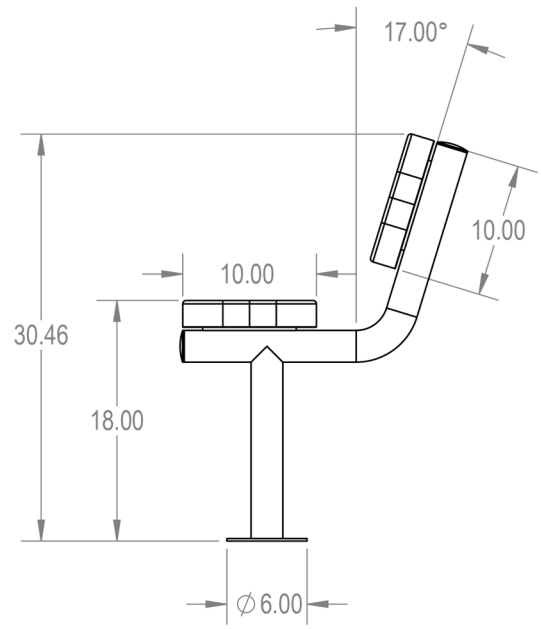


Model Numbers:  
 BRT06-A-01-000 - Advantage Coating  
 BRT06-C-01-000 - Industry Standard Coating



MANUFACTURED BY:  
 **CROWD CONTROL WAREHOUSE**

**PROPRIETARY AND CONFIDENTIAL**  
 THE INFORMATION CONTAINED IN THIS DRAWING IS THE SOLE PROPERTY OF CROWD CONTROL WAREHOUSE, 1125 W HOMER STREET CHICAGO, IL. ANY REPRODUCTION IN PART OR AS A WHOLE WITHOUT THE WRITTEN PERMISSION OF CCW IS PROHIBITED.

<b>PARK RESERVE</b>		
TITLE: <b>6Ft Rectangular Bench with Back</b> <b>Surface Mt - Expanded Metal</b>		
SIZE <b>A</b>	DWG. NO.	REV
WEIGHT:		SHEET 2 OF 3