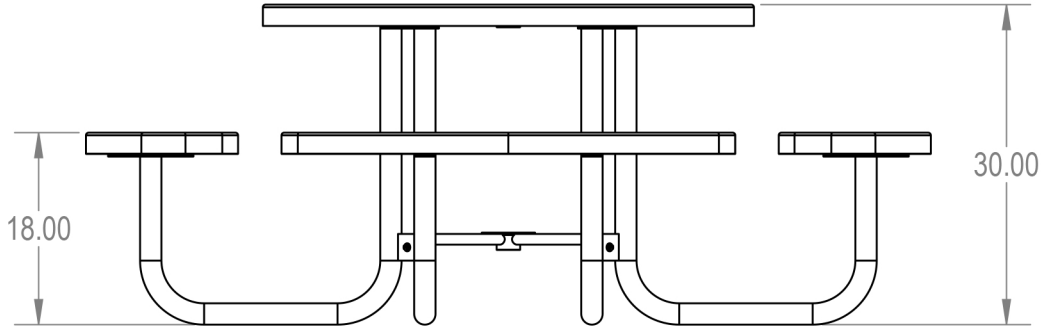
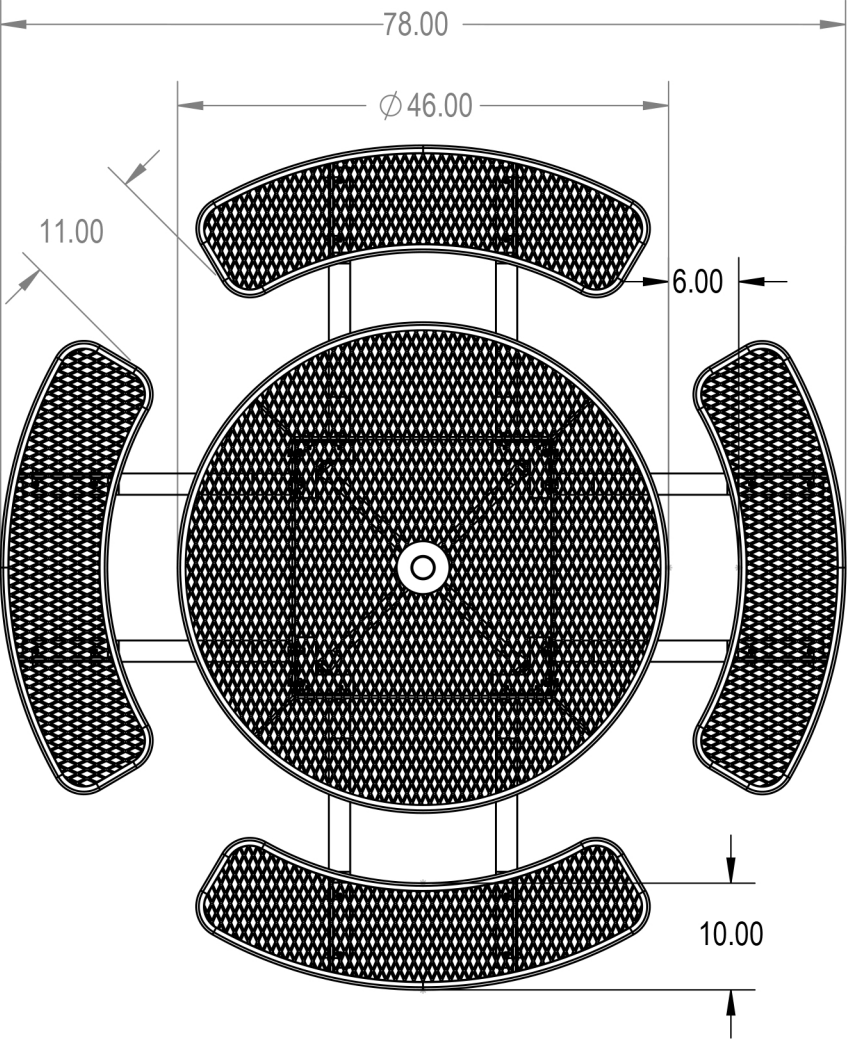


Model Numbers:
 TRD46-A-04-000 - Advantage Coating
 TRD46-C-04-000 - Industry Standard Coating



MANUFACTURED BY:
CW CROWD CONTROL WAREHOUSE

PROPRIETARY AND CONFIDENTIAL
 THE INFORMATION CONTAINED IN THIS DRAWING IS THE SOLE PROPERTY OF CROWD CONTROL WAREHOUSE, 1125 W HOMER STREET CHICAGO, IL. ANY REPRODUCTION IN PART OR AS A WHOLE WITHOUT THE WRITTEN PERMISSION OF CCW IS PROHIBITED.

PARK RESERVE		
TITLE: 46in Round Table - Portable Expanded Metal Version		
SIZE A	DWG. NO.	REV
WEIGHT:		SHEET 2 OF 3