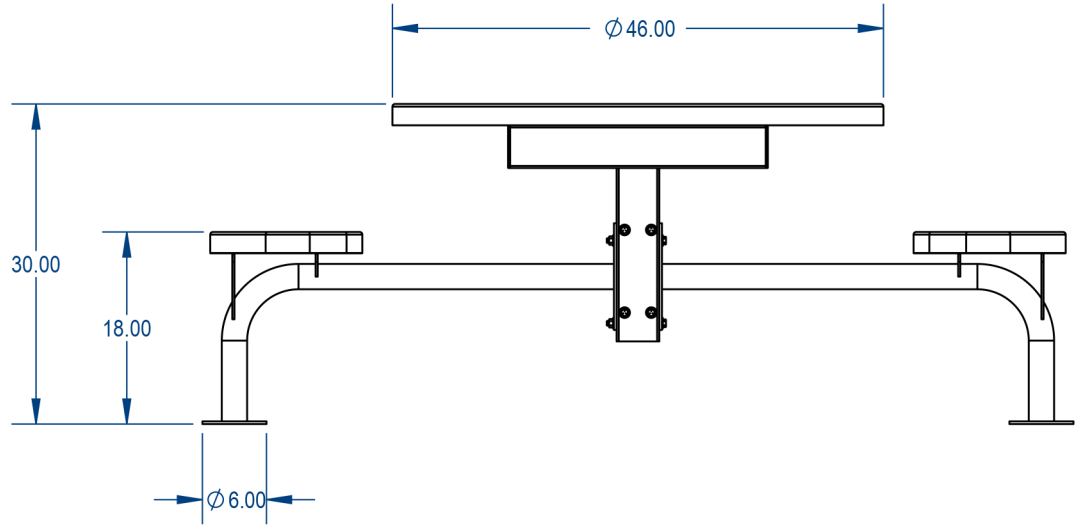
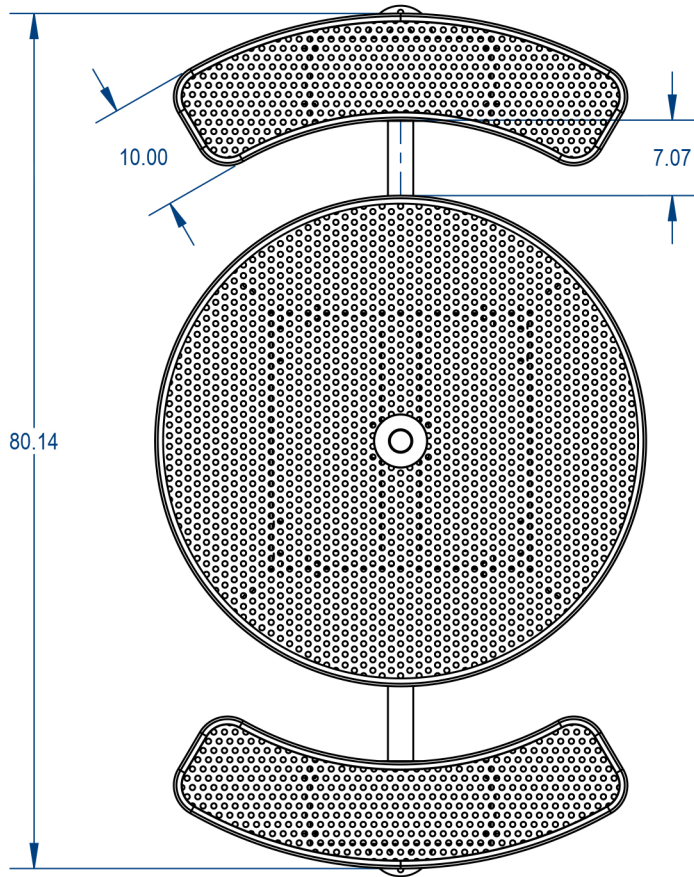


TOP VIEW



SIDE VIEW



MANUFACTURED BY:



PROPRIETARY AND CONFIDENTIAL

THE INFORMATION CONTAINED IN THIS DRAWING IS THE SOLE PROPERTY OF CROWD CONTROL WAREHOUSE, 1125 W HOMER STREET CHICAGO, IL. ANY REPRODUCTION IN PART OR AS A WHOLE WITHOUT THE WRITTEN PERMISSION OF CCW IS PROHIBITED.

PARK RESERVE

TITLE:

**Nexus Style Round Table
Perforated Metal Version**

SIZE	DWG. NO.	REV
A		
WEIGHT:		SHEET 3 OF 3