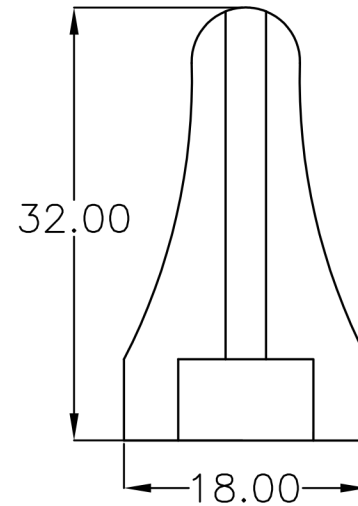
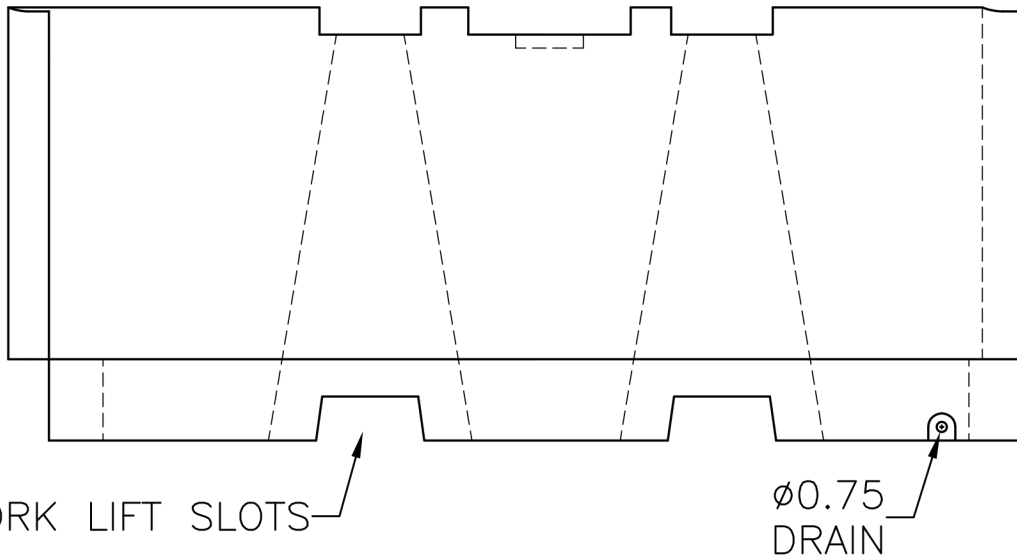
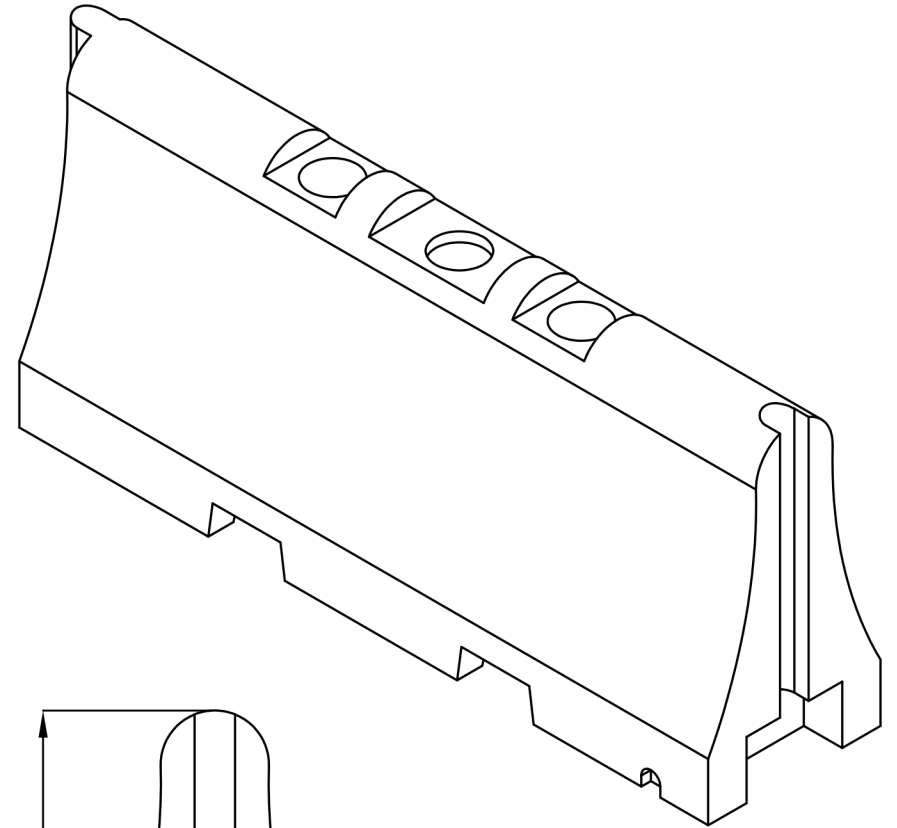
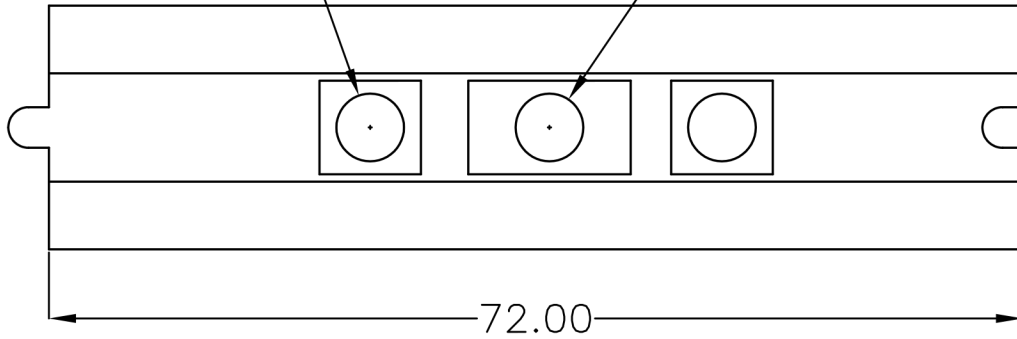


# 32" BARRIER

2X MOLDED  
THROUGH  
COLUMNS

ø5.00  
FILL PORT



1/4" WALL THICKNESS  
70 LB PART