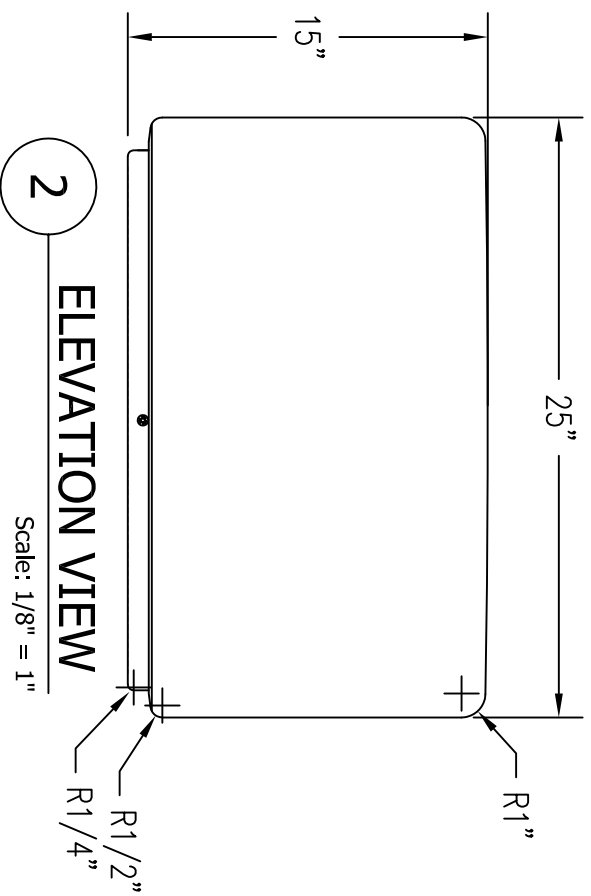
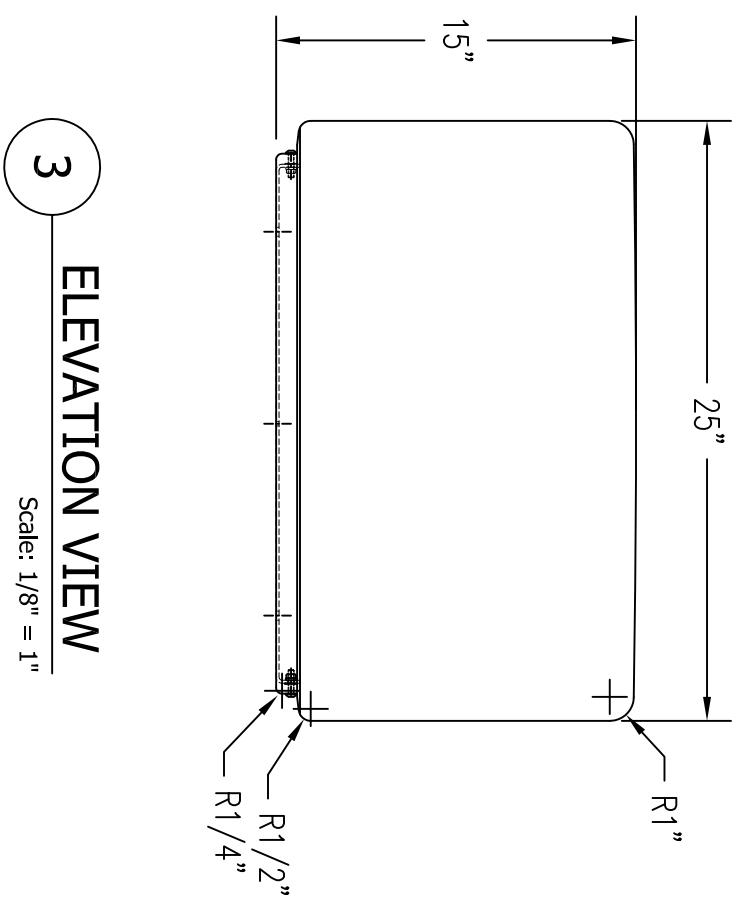


**1** TOP VIEW  
Scale: 1/8" = 1"



**2** ELEVATION VIEW  
Scale: 1/8" = 1"



**3** ELEVATION VIEW  
Scale: 1/8" = 1"

REVISION	DESCRIPTION	DRAWN BY	DATE
4			
3			
2			
1			

DRAWN BY	JPZ	JOB	UNLESS OTHERWISE SPECIFIED DIMENSIONS ARE IN INCHES TOLERANCES: ±1/8"		MATERIAL	PLASTIC
JOB NO.		LOCATION			WEIGHT	
SCALE	AS NOTED	DATE	6/10/11	ITEM NO.	1000	
FINISH OPTIONS				DWG. NO.	1 OF 1	



MANUFACTURED BY:  
**CW** GROWD CONTROL  
WAREHOUSE