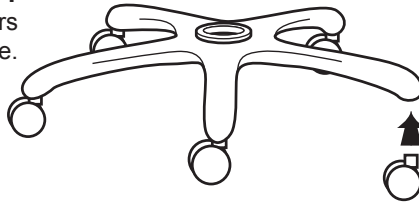


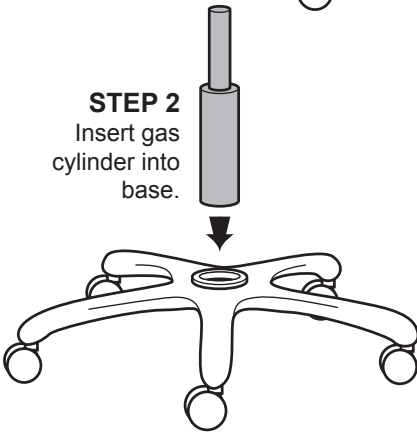
Shape Pro

BASE ASSEMBLY

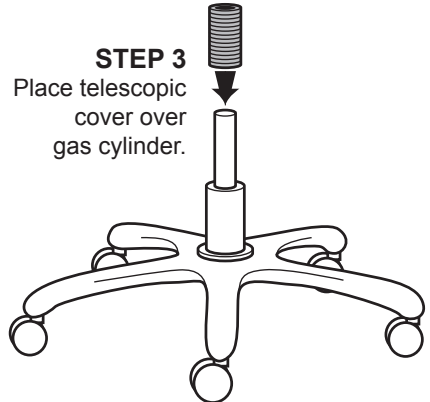
STEP 1
Insert castors
into base.



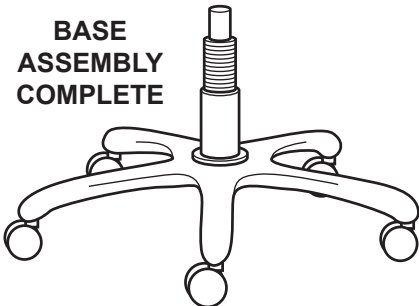
STEP 2
Insert gas
cylinder into
base.



STEP 3
Place telescopic
cover over
gas cylinder.



**BASE
ASSEMBLY
COMPLETE**



Need help!

Contact us:

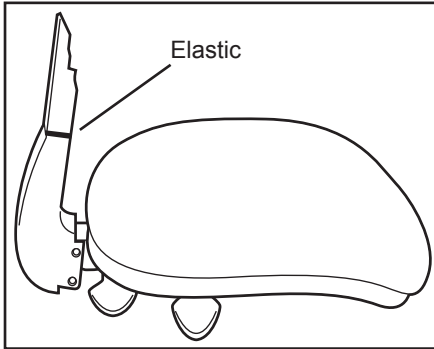
(02) 9700 9100

Sales@pagodesigns.com.au

BACK ASSEMBLY

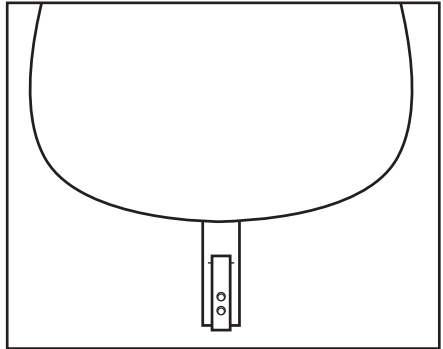
STEP 4

Leave elastic in place. This keeps the two sections of the back bellow in place.



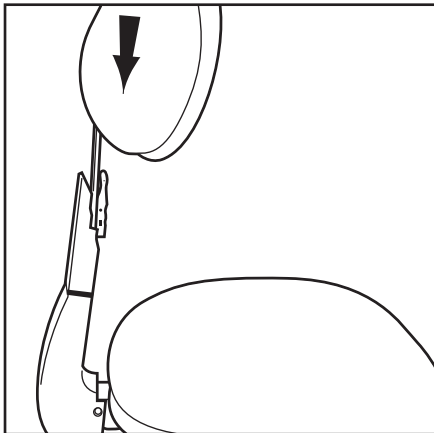
STEP 5

The base of the Neo back assembly.



STEP 6

Insert the base of the back assembly firmly into mechanism at the back of the seat unit. Push all the way until the back bottoms out. The ratchet height adjustor works like a car head rest. Press all the way down then lift to required position.



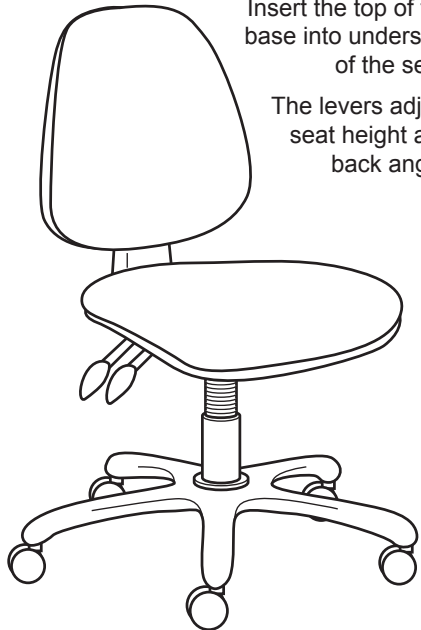
When back is in place, remove elastic band.

**BACK ASSEMBLY
COMPLETE**

STEP 7

Insert the top of the base into underside of the seat.

The levers adjust seat height and back angle.



pago

www.pagodesigns.com.au