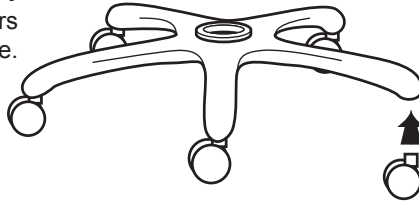


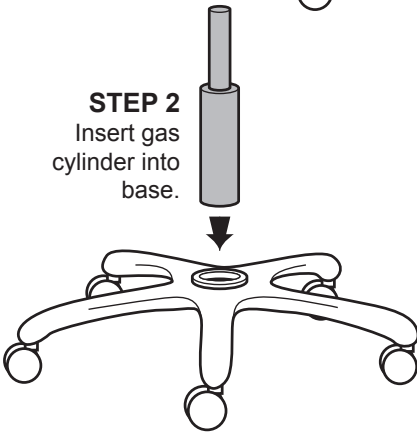
## Matrix plus

### BASE ASSEMBLY

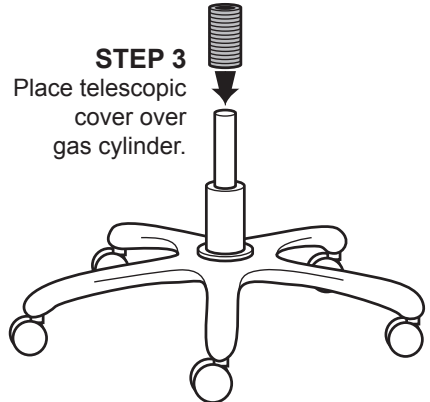
**STEP 1**  
Insert castors  
into base.



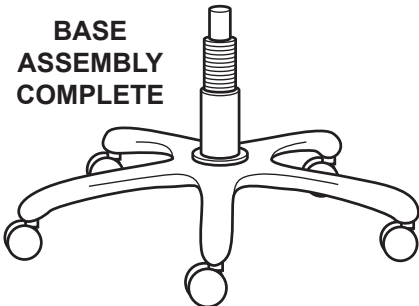
**STEP 2**  
Insert gas  
cylinder into  
base.



**STEP 3**  
Place telescopic  
cover over  
gas cylinder.



**BASE  
ASSEMBLY  
COMPLETE**



**Need help!**

Contact us:

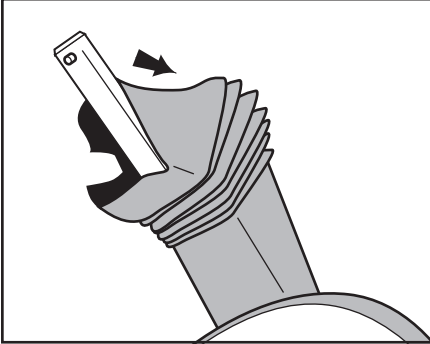
(02) 9700 9100

Sales@pagodesigns.com.au

## BACK ASSEMBLY

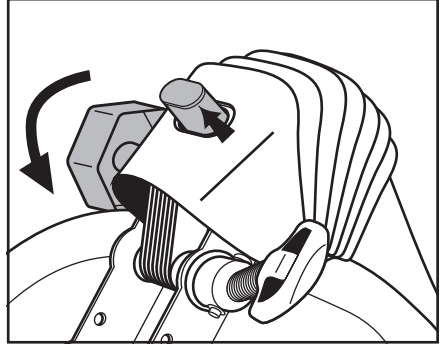
### STEP 4

Pull back the bellow and allow the back stem to protrude.



### STEP 7

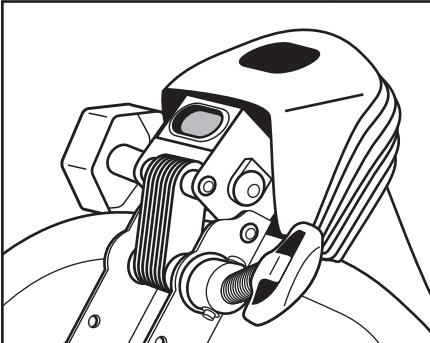
Push stem through the hole to the desired height. Tighten with knob



**BACK ASSEMBLY COMPLETE**

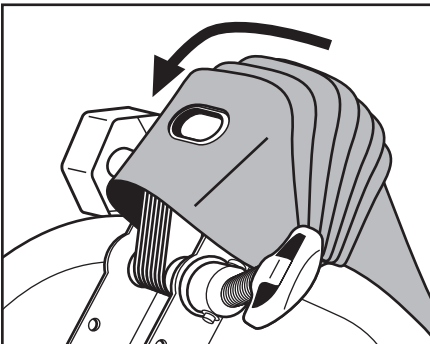
### STEP 5

Insert back assembly into mechanism.  
Do not push stem too far through.



### STEP 6

Pull bellow over mechanism and stem.  
Ensure that the hole is over the stem.



### STEP 8

Insert the top of the base into underside of the seat.

The levers adjust seat height and back angle.



**pago**

[www.pagodesigns.com.au](http://www.pagodesigns.com.au)