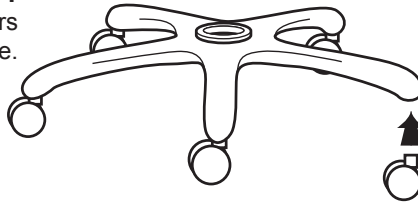


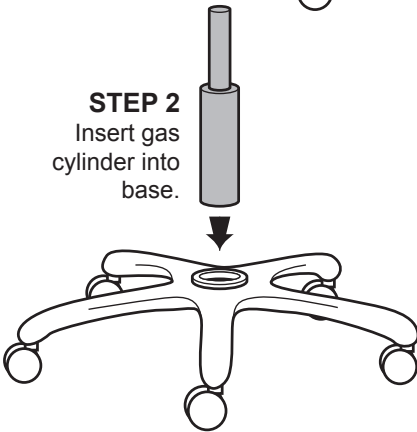
Matrix

BASE ASSEMBLY

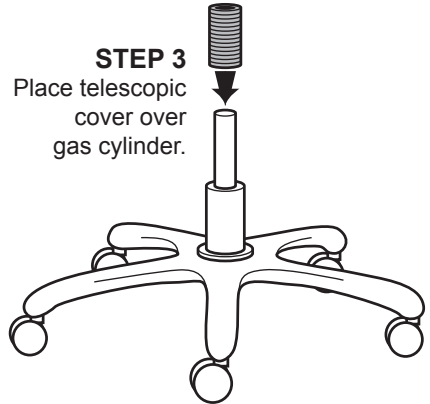
STEP 1
Insert castors
into base.



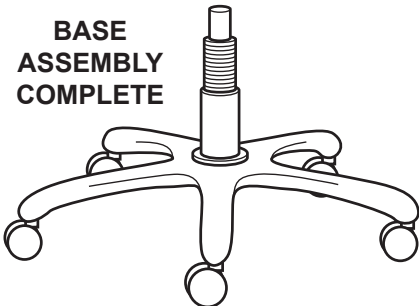
STEP 2
Insert gas
cylinder into
base.



STEP 3
Place telescopic
cover over
gas cylinder.



**BASE
ASSEMBLY
COMPLETE**



Need help!

Contact us:

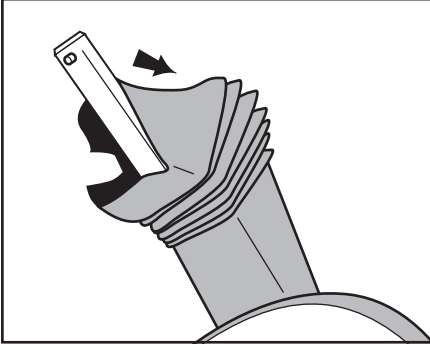
(02) 9700 9100

Sales@pagodesigns.com.au

BACK ASSEMBLY

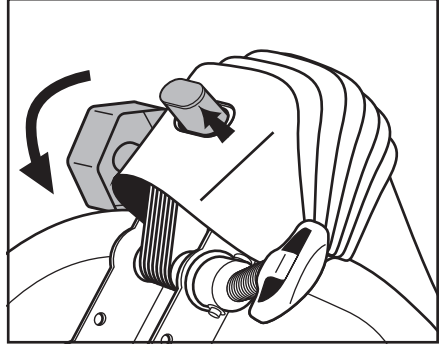
STEP 4

Pull back the bellow and allow the back stem to protrude.



STEP 7

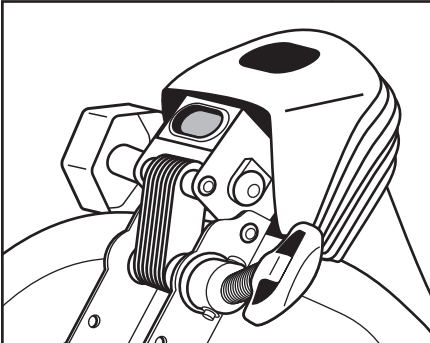
Push stem through the hole to the desired height. Tighten with knob



BACK ASSEMBLY COMPLETE

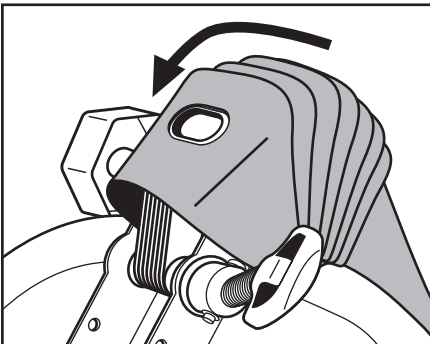
STEP 5

Insert back assembly into mechanism.
Do not push stem too far through.



STEP 6

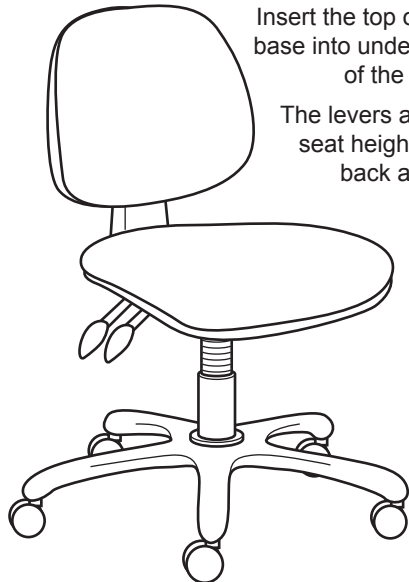
Pull bellow over mechanism and stem.
Ensure that the hole is over the stem.



STEP 8

Insert the top of the base into underside of the seat.

The levers adjust seat height and back angle.



pago

www.pagodesigns.com.au