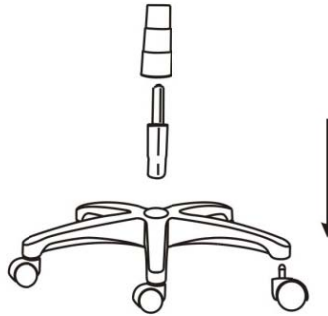


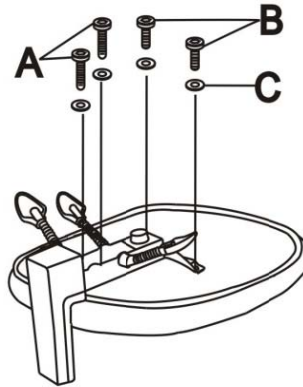
Assembly instruction

Matrix mesh 08547/8/9

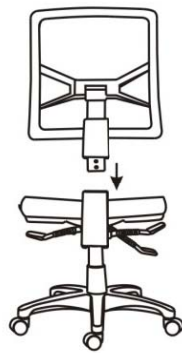
1



2



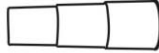
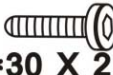








3



4



	1			1		1	 A M6*30 X 2
						1	
	1		1		5		C 4  B M6*25 X 2