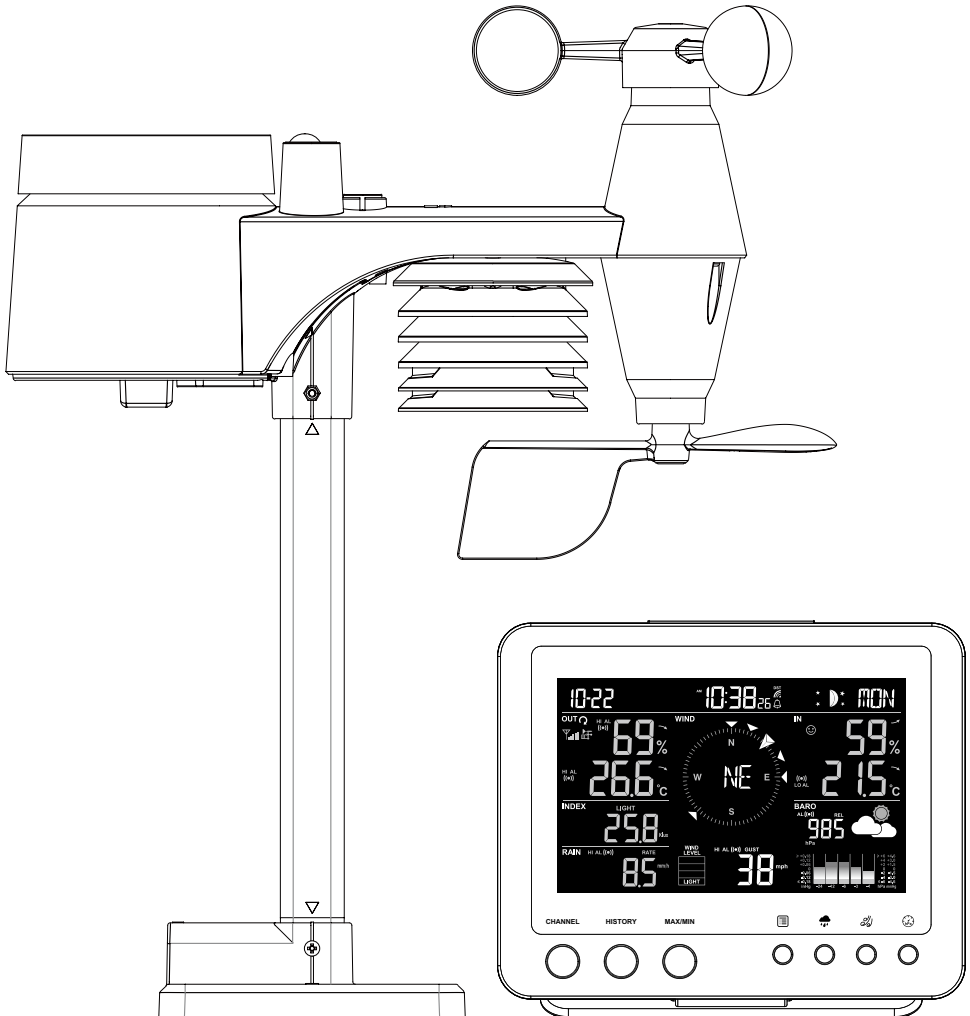


Youshiko®

RC FULL COLOR DISPLAY WEATHER STATION WITH 7-IN-1 PROFESSIONAL SENSOR

Model: YC9466


USER MANUAL




CONTENTS

PRECAUTIONS.....	2
INTRODUCTION.....	3
OVERVIEW.....	4
INSTALLATION.....	5
TIME & CALENDAR.....	8
TEMPERATURE & HUMIDITY.....	10
BAROMETRIC PRESSURE & WEATHER FORECAST.....	11
RAIN.....	12
WIND SPEED & WIND DIRECTION.....	12
UV INDEX, LIGHT INTENSITY & WEATHER INDEX.....	14
HISTORY DATA (ALL RECORDS IN THE PAST 24 HOURS).....	15
MAX/MIN MEMORY FUNCTION.....	15
WEATHER ALERT SETTING.....	16
WIRELESS SIGNAL RECEPTION.....	17
BACK LIGHT.....	17
POINTING 7-IN-1 SENSOR TO THE SOUTH.....	17
MOON PHASE.....	18
MAINTENANCE.....	18
TROUBLESHOOTING.....	19
SPECIFICATIONS.....	19

ABOUT THIS USER'S MANUAL

 Symbol represents a warning. To ensure safe use, always adhere to the instructions described in this documentation.

 This symbol is followed by a user's tip.



PRECAUTIONS



- Read and keep these instructions.
- Heed all warnings and follow all instructions.
- Do not subject the unit to excessive force, shock, dust, temperature or humidity.
- Do not cover the ventilation holes with any items such as newspapers, curtains etc.
- Do not immerse the unit in water. If you spill liquid over it, dry it immediately with a soft, lint-free cloth.
- Do not clean the unit with abrasive or corrosive materials.
- Do not tamper with the unit's internal components. This invalidates the warranty.

- Only use attachments/accessories specified by the manufacturer.
- Images shown in this manual may differ from the actual display.
- Placement of this product on certain types of wood may result in damage to its finishing for which manufacturer will not be responsible. Consult the furniture manufacturer's care instructions for information.
- An appliance is only suitable for mounting at height $\leq 2\text{m}$. (Equipment mass $\leq 1\text{kg}$)
- Do not dispose old batteries as unsorted municipal waste, dispose of used batteries according to the instructions. Collection of such waste separately for special treatment is necessary.
- When disposing of this product, ensure it is collected separately for special treatment.
- The technical specifications for this product and the contents of the user manual are subject to change without notice.



CAUTION!

- Danger of explosion if battery is incorrectly replaced. Replace only with the same or equivalent type.
- Battery cannot be subjected to high or low extreme temperatures, low air pressure at high altitude during use, storage or transportation.
- Replacement of a battery with an in correct type that can result in an explosion or the leakage of flammable liquid or gas.
- Disposal of a battery into fire or a hot oven, or mechanically crushing or cutting of a battery, that can result in an explosion.
- Leaving a battery in an extremely high temperature surrounding environment that can result in an explosion or the leakage of flammable liquid or gas.
- A battery subjected to extremely low air pressure that may result in an explosion or the leakage of flammable liquid or gas.
- Only use fresh batteries. Do not mix new and old batteries.

INTRODUCTION

Thank you for your purchase of this full function color display weather station with 7-IN-1 sensor.

The wireless 7-IN-1 sensor contains a self-emptying rain collector for measuring rainfall, UV index, light intensity, anemometer, wind vane, temperature and humidity sensors. It is calibrated for your easy installation. It sends data by a low power radio frequency to the console up to 150m away (line of sight).

The colorful display console displays all the weather data received from the 7-IN-1 sensor outside. It remembers the data for a time range for you to monitor and analyze the weather status for past 24 hours. It has advance features such as the HI / LO Alert alarm which will alert the user when the set high or low weather criteria are met. The barometric pressure records are computed to give users forthcoming weather forecast and stormy warning. Day and date stamps are also provided to the corresponding maximum and minimum records for each weather details.

The system also analyzes the records for your convenient viewing, such as the display of rainfall in terms of rain rate, daily, weekly and monthly records, whereas wind-speed in different levels. Different useful readings such as Feels like, Wind-chill, Heat Index, Dew-point, Comfort level are also provided.

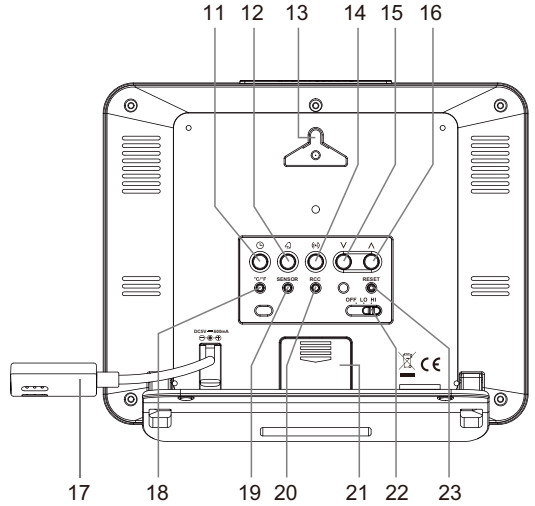
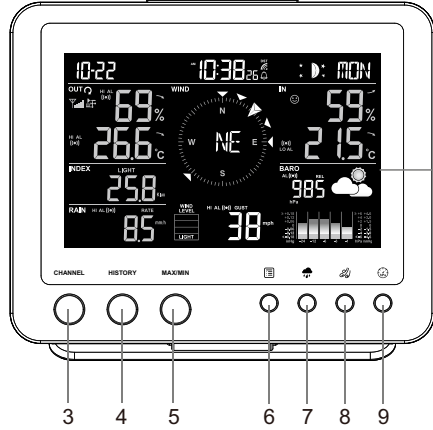
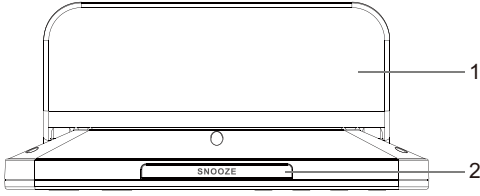
With Radio-controlled / Atomic clock feature built-in, the system is truly a remarkable personal Professional Weather Station for your own backyard.

NOTE:

This instruction manual contains useful information on the proper use and care of this product. Please read this manual through to fully understand and enjoy its features, and keep it handy for future use.

OVERVIEW

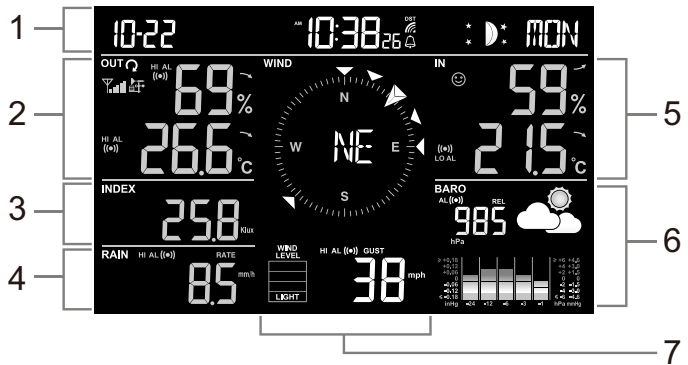
CONSOLE



- | | | |
|---------------------------|-----------------------------|---------------------------------------|
| 1. Detachable table stand | 9. [BARO] key | 17. Power in |
| 2. [SNOOZE] key | 10. LCD display | 18. [°C / °F] key |
| 3. [CHANNEL] key | 11. [TIME SET] key | 19. [SENSOR] key |
| 4. [HISTORY] key | 12. [ALARM] key | 20. [RCC] key |
| 5. [MAX/MIN] key | 13. Wall mount hole | 21. Battery compartment |
| 6. [INDEX] key | 14. [ALERT] key | 22. [OFF/LO/HI] slide switch |
| 7. [RAIN] key | 15. [DOWN] key | 23. [RESET] key |
| 8. [WIND] key | 16. [UP] key | |

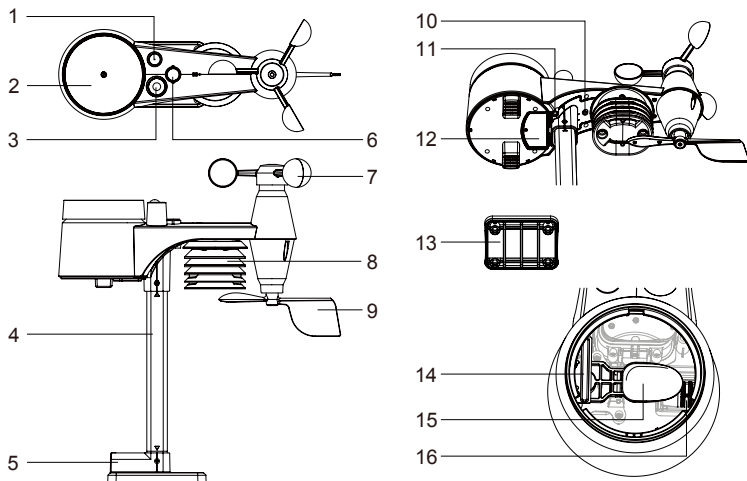
LCD DISPLAY

1. Time & date, moon phase
2. Outdoor temperature & humidity
3. Index, UVI & light intensity
4. Rainfall & Rain rate
5. Indoor temperature & humidity
6. Barometer & weather forecast
7. Wind direction / speed



WIRELESS 7-IN-1 SENSOR

1. Antenna
2. Rain collector
3. UVI / light sensor
4. Mounting pole
5. Mounting base
6. Balance indicator
7. Wind cup
8. Radiation shield
9. Wind vane
10. Red LED indicator
11. [RESET] key
12. Battery door
13. Mounting clamp
14. Rain sensor
15. Tipping bucket
16. Drain holes



INSTALLATION

WIRELESS 7-IN-1 SENSOR

Your wireless 7-IN-1 sensor measures wind speed, wind direction, rainfall, UV index, light intensity, temperature and humidity for you. It's fully assembled and calibrated for your easy installation.

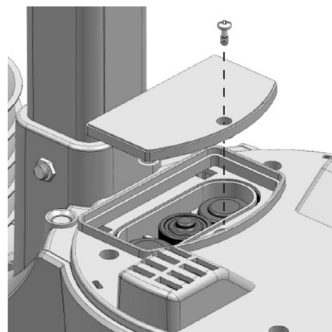
BATTERY AND INSTALLATION

Unscrew the battery door at bottom of unit and insert the batteries according to the +/- polarity indicated.

Screw the battery door compartment on tightly.

NOTE:

- Ensure the water tight O-ring is properly aligned in place to ensure water resistant.
- The red LED will begin flashing every 12 seconds.



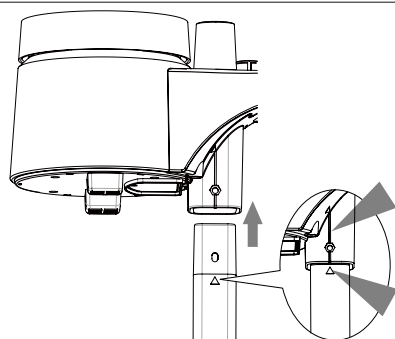
ASSEMBLY THE STAND AND POLE

Step 1

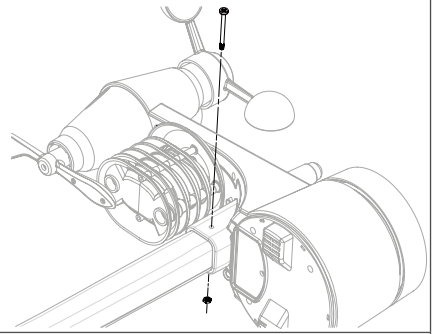
Insert the top side of the pole to the square hole of the weather sensor.

NOTE:

Ensure the pole and sensor's indicator align.



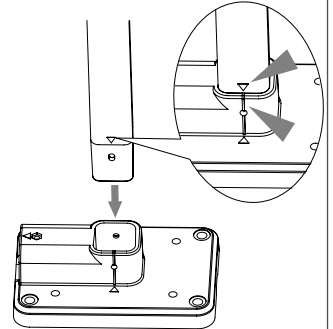
Step 2
Place the nut in the hexagon hole on the sensor, then insert the screw in other side and tighten it by the screw driver.



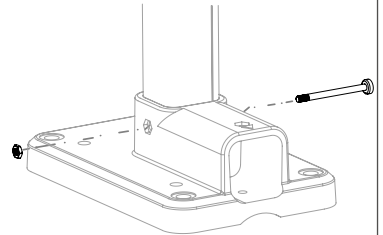
Step 3
Insert the other side of the pole to the square hole of the plastic stand.

 **NOTE:**

Align the pole and stand marking.

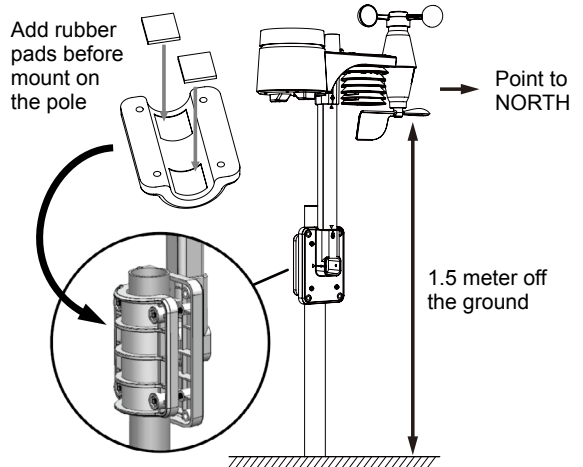


Step 4
Place the nut in the hexagon hole of the stand, then insert the screw in other side and then tighten it by the screw driver.



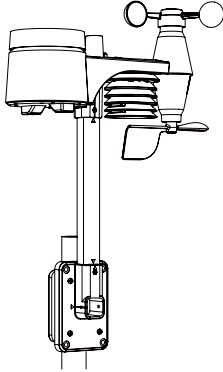
Install the wireless 7-IN-1 sensor in an open location with no obstructions above and around the sensor for accurate rain and wind measurement. Install the sensor with the smaller end facing the North to properly orient the wind direction vane.

Secure the mounting stand and clamps (included) to a post or pole, and allow minimum 1.5m off the ground.

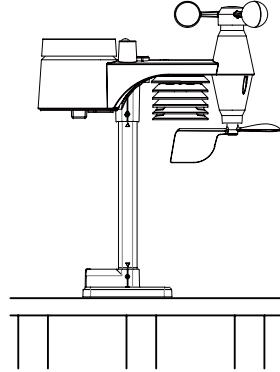


MOUNTING GUIDELINES

1. Install the wireless 7-IN-1 sensor at least 1.5m off the ground for better and more accurate wind measurements.
2. Choose an open area within 150 meters from the LCD console.
3. Install the wireless 7-IN-1 sensor as level as possible to achieve accurate rain and wind measurements.
4. Mount the wireless 7-IN-1 sensor with the wind meter end pointing to the North to correctly orient direction of the wind vane.



A. Mounting on pole (Pole Diameter 1"~1.3")
(25~33mm)



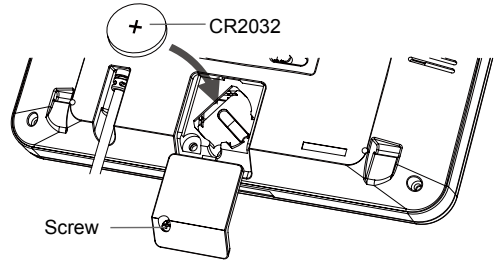
B. Mounting on the railing

CONSOLE BATTERIES INSTALLATION

INSTALL THE BACKUP BATTERY



1. Unscrew the console battery door screw
2. Remove the battery door.
3. Insert a new button cell battery.
4. Replace the battery door and tight the screw.



NOTE:

- If no display appears on the LCD after inserting the batteries, press [**RESET**] key by using a pointed object.
- In some cases, you may not receive the signal immediately due to the atmospheric disturbance.

POWER UP THE CONSOLE

1. Plug the power adapter to power up the console.
2. Once the console power up, all the segments of the LCD will be shown.
3. The RC clock will automatically start scanning for the radio-controlled time signal in 8 seconds.

TABLE STAND INSTALLATION

This unit is designed for desktop or wall mount for easy viewing. Follow the steps to hook the table stand on the bottom of the console.



Step 1



Step 2

PAIRING OF WIRELESS 7-IN-1 SENSOR WITH CONSOLE

After power up, the console will automatically search and connect the wireless 7-IN-1 sensor (antenna blinking). Once the connection is successful, antenna mark and readings of outdoor temperature, humidity, wind speed, wind direction, UV index, light intensity and rainfall will appear on the display.

CHANGING BATTERIES AND MANUAL PAIRING OF SENSOR

Whenever you changed the batteries of the wireless 7-IN-1 sensor, pairing must be done manually.

1. Change all the batteries to new ones.
2. Press [**SENSOR**] key on the console.
3. Press [**RESET**] key on the sensor.

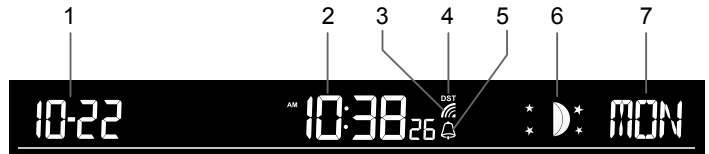


NOTE:


- Pressing [**RESET**] key at the bottom of wireless 7-IN-1 sensor will generate a new code for pairing purpose.
- Always dispose old batteries in an environmentally safe manner.

TIME & CALENDAR

1. Date
2. Time
3. RCC signal strength indicator
4. DST
5. Alarm
6. Moon phase
7. Day of the week





RADIO CONTROLLED / ATOMIC CLOCK FUNCTION

When the unit receives RCC signal, a sync-time symbol  will appear on the LCD, and synchronizes daily.

SIGNAL STRENGTH INDICATOR

The signal indicator shows signal receive status. Flashing wave segment means RCC signals are being received. The signal receiving status could be classified into 2 types:

	
No signal quality	Received RCC signal



NOTE:

- Everyday the unit will automatically search for the time signal at 2:00am, 8:00am, 2:00pm and 8:00pm
- The strength of radio-controlled time signal from the transmitter tower may be affected by geographical location or building around.
- Always place the console away from interfering sources such as TV set, computer, etc.
- Avoid placing the console on or next to metal plates.
- The console can more easy to received the signal, if the distance between console and the adapter is 1m or more.
- Closed areas such as airport, basement, tower block, or factory are not recommended.

TIME SETTING

The unit automatically set itself accordingly to the Radio Controlled Clock signal it received. To set the clock/ calendar manually, first permanently disable the reception by holding the RCC key for 8 seconds (Press RCC key for 8 seconds again to enable the RCC reception).

TO MANUALLY SET THE CLOCK / TIME ZONE SELECTION

1. Press and hold [**TIME SET**] key for 2 seconds until **12** or **24 Hr** flashes.
2. Use [**UP**] or [**DOWN**] key to adjust, and press [**TIME SET**] key to proceed to the next setting.
3. Press [**TIME SET**] key again to step the setting items in this sequence: 12/24 Hour format → Hour → Minute → Second → Year → Month → Day → Hour offset → Weekday Language → DST AUTO / OFF.




NOTE:

- The unit will automatically exit setting mode if no key was pressed in 60 seconds.
- **DST** (Daylight Saving Time) feature is set to Auto (factory set). The clock has been programmed to automatically switch when the daylight saving time is in effect.
- DST feature only valid when RCC function is on.

SETTING ALARM TIME




1. In normal time mode, press and hold [**ALARM**] key for 2 seconds until the alarm hour digit flashes to enter alarm time setting mode.
2. Press [**UP**] or [**DOWN**] key to change the value. Press and hold the key for quick-adjust.
3. Press [**ALARM**] key again to step the setting value to Minute with the Minute digit flashing.
4. Press [**UP**] or [**DOWN**] key to adjust the value of the flashing digit.
5. Press [**ALARM**] key to save and exit the setting.

NOTE:

- In alarm mode, the “” icon will display on the LCD.
- The alarm function will turn on automatically once you set the alarm time.

ACTIVATING ALARM AND TEMPERATURE PRE-ALARM FUNCTION

1. In normal mode, press [**ALARM**] key to show the alarm time for 5 seconds.
2. When the alarm time displays, press [**ALARM**] key again to activate the alarm function. **Or** press [**ALARM**] key twice to activate the alarm with ice pre-alarm function.

		
Alarm off	Alarm on	Alarm with ice-alert

STOP ALARM ALERT & SNOOZE

1. Press [**SNOOZE**] key to stop the current alarm and enter snooze. Alarm icon will be flashing continuously. The alarm will sound again in 5 minutes. Snooze can be operated continuously in 24 hours.
2. When the alarm is sounding, it will stop automatically without pressing any key in 2 minutes. Also you can press and hold the [**SNOOZE**] key for 2 seconds or press [**ALARM**] key to stop the current alarm. And the alarm will automatically sound again at the alarm time next day.



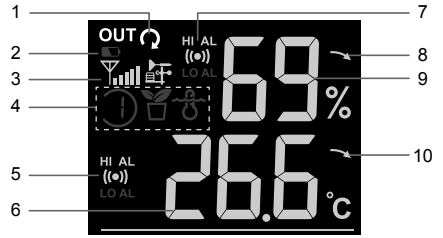
NOTE:

- Pressing the [**ALARM**] key twice when alarm time is being displayed will activate the temperature-adjusted pre-alarm.
- The alarm will sound 30 minutes earlier if it detects outside temperature is below -3°C.

TEMPERATURE & HUMIDITY

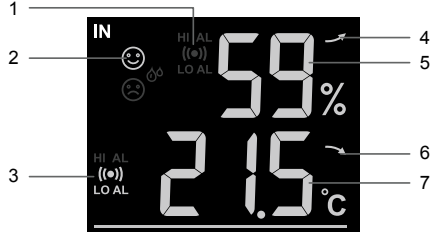
OUTDOOR / CHANNEL

1. Auto loop indicator
2. Low battery indicator
3. Signal strength indicator
4. CH indicator and sensor indicator
5. Temperature alert indicator
6. Temperature reading
7. Humidity alert indicator
8. Humidity trend
9. Humidity reading
10. Temperature trend



INDOOR

1. Humidity alert indicator
2. Comfort indication
3. Temperature alert indicator
4. Humidity trend
5. Humidity reading
6. Temperature trend
7. Temperature reading



TREND INDICATOR

The trend indicator shows the trends of changes in the forthcoming few minutes. The icon will appear in temperature and humidity.



COMFORT INDICATION

The comfort indication is a pictorial indication based on indoor air temperature and humidity in an attempt to determine comfort level.



VIEW THE OTHER CHANNELS (OPTIONAL FEATURE WITH ADD ON EXTRA SENSORS)

This console is capable to pair with a wireless 7-IN-1 sensor and up to 3 wireless thermo-hygro sensors. If you have 2 or more Indoor sensors, you can press [CHANNEL] key to switch between different wireless channels in normal mode, or press and hold [CHANNEL] key for 2 seconds to toggle auto-cycle mode to display the connected channels at 4 seconds interval.

During auto-cycle mode, the "🔄" icon will show on the channel section of the display. Press [CHANNEL] key to stop auto cycle and display the current channel.

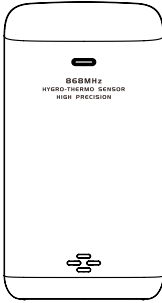


NOTE:

- Comfort indication can vary under the same temperature, depending on the humidity.
- There is no comfort Indication when temperature is below 0°C (32°F) or over 60°C (140°F).

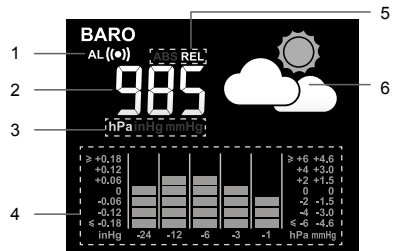
OTHER OPTIONAL SENSOR

This console can also support the following optional sensors for channels 1 ~3.

SENSOR NAME	Wireless thermo-hygro sensor
PHOTO	
ICON IN CHANNEL	
DATA	Temperature & Humidity

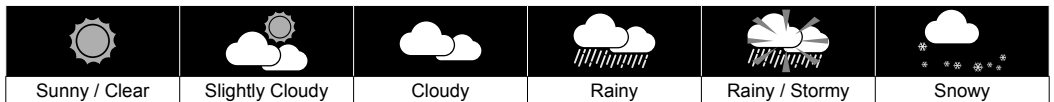
BAROMETRIC PRESSURE & WEATHER FORECAST

1. Baro pressure alert indicator
2. Baro pressure reading
3. Unit of measure
4. Group of baro pressure
5. Absolute / Relative pressure indicator
6. Weather forecast icon



WEATHER FORECAST ICON

The device contains sensitive pressure sensor built-in with sophisticated and proven software that predicts weather for the next 12 ~ 24 hours within a 30 to 50 km (19-31 miles) radius.



NOTE:

- The accuracy of a general pressure-based weather forecast is about 70% to 75%.
- The weather forecast is meant for the next 12 hours, it may not necessarily reflect the current situation.
- The weather icon will flash on display when the rainstorm comes.
- The **SNOWY** weather forecast is not based on the atmospheric pressure, but based on the outdoor temperature. When the outdoor temperature is below -3°C (26°F), the **SNOWY** weather indicator will be displayed on the LCD.

TO SELECT THE PRESSURE DISPLAY MODE

1. Press and hold the [**BARO**] key for 2 seconds to enter select model:
2. Press [**UP**] or [**DOWN**] key to select between:
 - **ABS** the absolute atmospheric pressure of your location.
 - **REL** the relative atmospheric pressure based on the sea.
3. In "**ABS**" mode, press [**BARO**] key to exit, In "**REL**" mode, press [**BARO**] key to set relative atmospheric pressure value in next section.

TO SET RELATIVE ATMOSPHERIC PRESSURE VALUE

1. Get the atmosphere pressure data of the sea level (it is also the relative atmosphere pressure data of your home area) through the local weather service, Internet and other weather channels.
2. Press and hold the [**BARO**] key for 2 seconds until **ABS** or **REL** icon flashes.
3. Press [**UP**] or [**DOWN**] key to switch to relative pressure mode.
4. Press [**BARO**] key once again until the relative atmospheric pressure digit flashes.
5. Press [**UP**] or [**DOWN**] key to change the value.
6. Press [**BARO**] key to save and exit the setting mode.

TO SELECT THE MEASUREMENT UNIT FOR THE BAROMETER

Use [**BARO**] key to change the unit between inHg / mmHg / hPa.

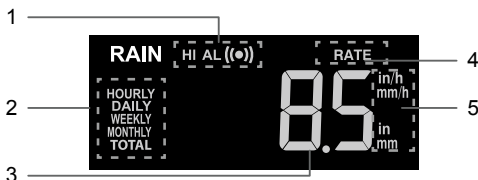


NOTE:

- When power up the console, it will display the relative pressure reading and default value is 1013 hPa (29.91 inHg), which refers to the average atmosphere pressure.
- When you change the relative atmospheric pressure value, the weather indicators will change along with it.
- The relative atmospheric pressure is based on the sea level, but it will change with the absolute atmospheric pressure changes after operating the clock for 1 hour.

RAIN

1. Rain alert indicator
2. Rainfall reading indicator
3. Reading
4. Rain rate indicator
5. Unit of measure



TO SELECT THE RAINFALL DISPLAY MODE

The device displays how many mm or in of rain are accumulated in an hour time period, based on current rainfall rate. Press the [**RAIN**] key to toggle between:

- **RATE** Current rain rate in past an hour
- **HOURLY** The reading indicate total rainfall from last hour
- **DAILY** The reading indicate the total rainfall from midnight
- **WEEKLY** The reading indicate the total rainfall from the current week
- **MONTHLY** The reading indicate the total rainfall from the current calendar month
- **TOTAL** The reading indicate the total rainfall since station was powered up

TO SELECT THE MEASUREMENT UNIT FOR THE RAINFALL

1. Press and hold the [**RAIN**] key 2 seconds to enter unit setting mode.
2. Use [**UP**] or [**DOWN**] key to toggle between **mm** (millimeter) and **in** (inch).
3. Press the [**RAIN**] key to confirm and exit.

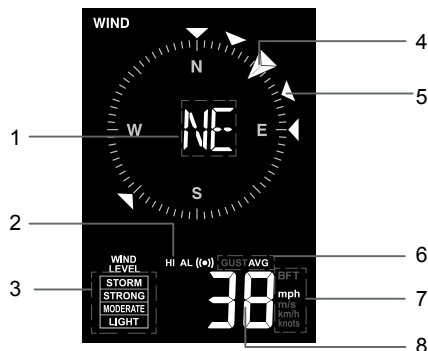
TO CLEAR THE RAIN RECORDS

During installation of the wireless 7-IN-1 sensor, the sensors were likely to be triggered, resulting in erroneous rainfall and wind measurements. After the installation, user may clear out all the erroneous data from the Console, without needing to reset the clock and re-establish pairing. Simply follow the below step to clear out the rain data that recorded before.

In normal mode, press the [**HISTORY**] key for 8 seconds.

WIND SPEED & WIND DIRECTION

1. Wind direction reading
2. Wind alert indicator
3. Wind speed level
4. Current wind direction indicator
5. Wind directions appeared in last 5 minutes (max 6 indicator mark)
6. Gust or average wind speed indicator
7. BFT and Wind speed unit of measure
8. Wind speed reading



TO SELECT THE WIND SPEED DISPLAY MODE

Press the [WIND] key to toggle between:

- **AVERAGE:** The AVERAGE wind speed will display the average of all wind speed numbers recorded in the previous 12 seconds.
- **GUST:** The GUST wind speed will display the highest wind speed recorded from last reading.
- **BFT:** The Beaufort scale of current wind speed will be displayed.

TO SELECT THE WIND UNIT

1. Press and hold [WIND] key for 2 seconds to enter unit setting mode.
2. Use [UP] or [DOWN] key to change the unit between **mph** (miles per hour) / **m/s** (meter per second) / **km/h** (kilometer per hour) / **knots**.
3. Press [WIND] key to select the wind direction display mode
4. Use [UP] or [DOWN] key to toggle between 360 degree or 16 direction mode.
5. Press [WIND] key to confirm and exit.

The wind speed level provides a quick reference on the wind condition.

Level	LIGHT	MODERATE	STRONG	STORM
Speed	1 ~ 19 km/h	20 ~ 49 km/h	50 ~ 88 km/h	> 88 km/h

BEAUFORT SCALE

Beaufort scale is an international scale of wind velocities from 0 (calm) to 12 (Hurricane force).

Beaufort Scale	Description	Wind Speed	Land Condition
0	Calm	< 1 km/h	Calm. Smoke rises vertically.
		< 1 mph	
		< 1 knot	
		< 0.3 m/s	
1	Light air	1.1 ~ 5.5 km/h	Smoke drift indicates wind direction. Leaves and wind vanes are stationary.
		1 ~ 3 mph	
		1 ~ 3 knot	
		0.3 ~ 1.5 m/s	
2	Light breeze	5.6 ~ 11 km/h	Wind felt on exposed skin. Leaves rustle. Wind vanes begin to move.
		4 ~ 7 mph	
		4 ~ 6 knot	
		1.6 ~ 3.3 m/s	
3	Gentle breeze	12 ~ 19 km/h	Leaves and small twigs constantly moving, light flags extended.
		8 ~ 12 mph	
		7 ~ 10 knot	
		3.4 ~ 5.4 m/s	

4	Moderate breeze	20 ~ 28 km/h	Dust and loose paper raised. Small branches begin to move.
		13 ~ 17 mph	
		11 ~ 16 knot	
		5.5 ~ 7.9 m/s	
5	Fresh breeze	29 ~ 38 km/h	Branches of a moderate size move. Small trees in leaf begin to sway.
		18 ~ 24 mph	
		17 ~ 21 knot	
		8.0 ~ 10.7 m/s	
6	Strong breeze	39 ~ 49 km/h	Large branches in motion. Whistling heard in overhead wires. Umbrella use becomes difficult. Empty plastic bins tip over.
		25 ~ 30 mph	
		22 ~ 27 knot	
		10.8 ~ 13.8 m/s	
7	High wind	50 ~ 61 km/h	Whole trees in motion. Effort needed to walk against the wind.
		31 ~ 38 mph	
		28 ~ 33 knot	
		13.9 ~ 17.1 m/s	
8	Gale	62 ~ 74 km/h	Some twigs broken from trees. Cars veer on road. Progress on foot is seriously impeded.
		39 ~ 46 mph	
		34 ~ 40 knot	
		17.2 ~ 20.7 m/s	
9	Strong gale	75 ~ 88 km/h	Some branches break off trees, and some small trees blow over. Construction /temporary signs and barricades blow over.
		47 ~ 54 mph	
		41 ~ 47 knot	
		20.8 ~ 24.4 m/s	
10	Storm	89 ~ 102 km/h	Trees are broken off or uprooted, structural damage likely.
		55 ~ 63 mph	
		48 ~ 55 knot	
		24.5 ~ 28.4 m/s	
11	Violent storm	103 ~ 117 km/h	Widespread vegetation and structural damage likely.
		64 ~ 73 mph	
		56 ~ 63 knot	
		28.5 ~ 32.6 m/s	
12	Hurricane force	≥ 118 km/h	Severe widespread damage to vegetation and structures. Debris and unsecured objects are hurled about.
		≥ 74 mph	
		≥ 64 knot	
		≥ 32.7m/s	

UV INDEX, LIGHT INTENSITY & WEATHER INDEX

1. Index indicator
2. Reading
3. UV index & light indicator
4. Unit of measure



In this section, you can press [**INDEX**] key to view the weather index in this sequence: UV INDEX → LIGHT INTENSITY → FEELS LIKE → WIND CHILL → HEAT INDEX → DEW POINT.

UV INDEX

To show the current UV index that detected by the wireless 7-in-1 sensor.

LIGHT INTENSITY

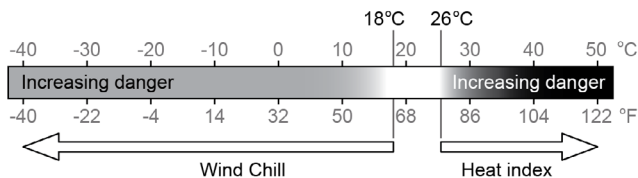
To show the current light intensity that detected by the wireless 7-in-1 sensor.

To set the light intensity unit of measure: Klux (lux), Kfc (fc) and W/m².

1. When the reading is showing, press and hold [**INDEX**] key with 2 seconds to enter light intensity unit setting mode.
2. Press [**UP**] or [**DOWN**] key to change the unit in sequence: Klux (lux) → Kfc (fc) → W/m².
3. Press [**INDEX**] key to exit the setting.

FEELS LIKE

Feels Like Temperature shows what the outdoor temperature will feel like. It's a collective mixture of Wind Chill factor (18°C or below) and the Heat Index (26°C or above). For temperatures in the region between 18.1°C to 25.9°C where both wind and humidity are less significant in affecting the temperature, the device will show the actual outdoor measured temperature as Feels Like Temperature.



HEAT INDEX

The heat index, which is determined by the wireless 7-IN-1 sensor's temperature & humidity data, when the outdoor temperature is between 27°C (80°F) and 50°C (120°F).

Heat Index range	Warning	Explanation
27°C to 32°C (80°F to 90°F)	Caution	Possibility of heat exhaustion
33°C to 40°C (91°F to 105°F)	Extreme Caution	Possibility of heat dehydration
41°C to 54°C (106°F to 129°F)	Danger	Heat exhaustion likely
≥55°C (≥130°F)	Extreme Danger	Strong risk of dehydration / sun stroke

WIND CHILL

A combination of the wireless 7-IN-1 sensor's temperature and wind speed data determines the current wind chill factor.

DEW POINT

- The dew point is the temperature below which the water vapor in air at constant barometric pressure condenses into liquid water at the same rate at which it evaporates. The condensed water is called *dew* when it forms on a solid surface.
- The dew point temperature is determined by the temperature & humidity data from wireless 7-IN-1 sensor.

UV INDEX AND LIGHT INTENSITY CALIBRATION

1. When the UV index reading is showing, press and hold [INDEX] key with 2 seconds to enter the UV calibration mode.
2. Press [UP] or [DOWN] key to adjust the UV gain value. (Default is 1.0)
3. Press [INDEX] key again to enter the light intensity calibration mode.
4. Press [UP] or [DOWN] key to adjust the light intensity gain value. (Default is 1.0)
5. Press [INDEX] key to exit calibration.

HISTORY DATA (ALL RECORDS IN THE PAST 24 HOURS)

The console will record past 24 hours weather data automatically that included past indoor and outdoor temperature & humidity, baro, wind chill, wind speed and rainfall records.

1. Press the [HISTORY] key to check past 1 hour history records.
2. Press [HISTORY] key repeatedly to show past 2, 3, 4 , 5.....24 history weather records.

MAX/MIN MEMORY FUNCTION

The console can record the accumulated MAX / MIN weather data with the corresponding time stamp for you to easy review.

TO VIEW THE ACCUMULATED MAX / MIN

When the outdoor temperature / humidity is shown:

Press the [MAX / MIN] key to check the MAX / MIN records in the following display sequence: Indoor MAX temperature → Indoor MIN temperature → Indoor MAX humidity → Indoor MIN humidity → MAX pressure → MIN pressure → Outdoor MAX temperature → Outdoor MIN temperature → Outdoor MAX humidity → Outdoor MIN humidity → MAX feels like temperature → MIN feels like temperature → MAX wind chill → MIN wind chill → MAX heat index → MIN heat index → MAX dew point → MIN dew point → MAX average wind speed → MAX gust → MAX rain rate → MAX UV index

→ MAX light intensity.

When the valid CH 1, 2 or 3 temperature / humidity is shown:

Press the [**MAX / MIN**] key to check the MAX / MIN records in the following display sequence: Indoor MAX temperature → Indoor MIN temperature → Indoor MAX humidity → Indoor MIN humidity → MAX pressure → MIN pressure → CH MAX temperature → CH MIN temperature → CH MAX humidity → CH MIN humidity.

TO CLEAR THE MAX/MIN RECORDS

During the MAX / MIN record mode, press and hold the [**MAX / MIN**] key for 2 seconds to reset the current display records.

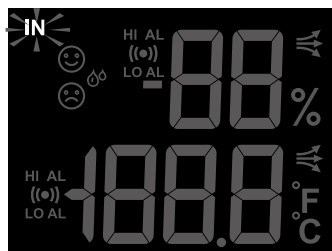
WEATHER ALERT SETTING

Weather Alert can alert you of certain weather conditions. Once the alert criterion is met, the alarm sound will activate and on screen alert icon and the reading will flash.

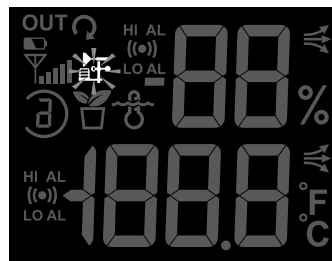


TO VIEW & SET THE ALERT

1. Press [**ALERT**] key to enter the alert mode



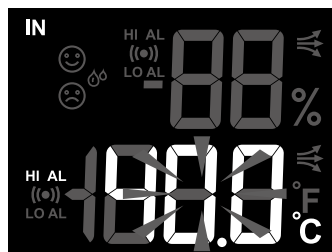
2. Press [**UP**] or [**DOWN**] key to select the section: Indoor → Outdoor → CH1 → CH2 → CH3



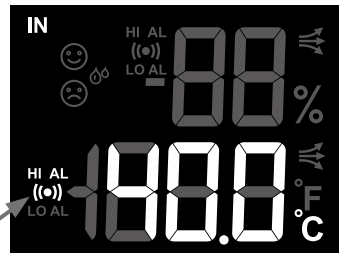
3. Once you selected the section, press [**ALERT**] key to select the alert type

- When Indoor symbol appear, the select sequence is: In Temperature HI → In Temperature LO → In Humidity HI → In Humidity LO → Baro Pressure.
- When Outdoor symbol appear, the select sequence is: Out Temperature HI → Out Temperature LO → Out Humidity HI → Out Humidity LO → Wind HI → Rain rate HI.
- When CH1, 2 or 3 symbol appear, the select sequence is: CH Temperature HI → CH Temperature LO → CH Humidity HI → CH Humidity LO.

4. In the alert type, the selected value will flashing, than press [**UP**] or [**DOWN**] key to adjust the value or press and hold the key to change rapidly.



5. Press [**ALARM**] key to toggle the regarding alert on / off.



6. Press [**ALERT**] key to confirm and shift to next alert reading.

7. When you complete the setting, press and hold with 2 second to exit alert setting.



NOTE:

- If no key is pressed, it will automatically exit alert mode after 60 seconds.
- When ALERT alarm is on, the area and type of alarm that triggered the alarm will be flashing and the alarm will sound for 2 minutes.
- To silence the Alert alarm beeping, press the [**SNOOZE**] or [**ALARM**] key, or let the beeping alarm automatically turn off after 2 minutes.

WIRELESS SIGNAL RECEPTION

The 7-IN-1 sensor is capable of transmitting data wirelessly over an approximate operating of 150m range (line of sight). Occasionally, due to intermittent physical obstructions or other environmental interference, the signal may be weakened or lost. In case that the sensor signal is lost completely, you will need to relocate the Console or the wireless 7-IN-1 sensor.

No sensor	Signal searching	Strong signal	Weak signal	Signal lost



NOTE:

The CH 1~3 optional thermo-hygro sensor signal strength indicator is same as 7-IN-1 sensor.

BACK LIGHT

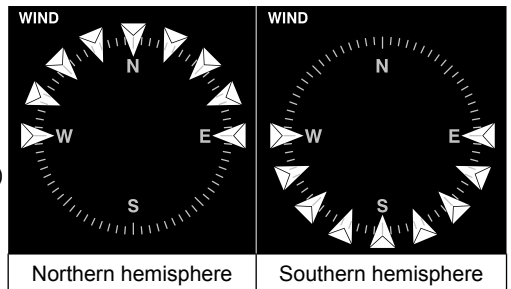
The main unit back light can be adjust, using the [**OFF / LO / HI**] slide switch to select the appropriate brightness:

- Slide to the [**HI**] position for the brighter back light.
- Slide to the [**LO**] position for the dimmer back light.
- Slide to the [**OFF**] position to turn off the back light.

POINTING 7-IN-1 SENSOR TO THE SOUTH

The outdoor 7-IN-1 sensor is calibrated to be pointing to North by default. However, in some cases, users may wish to install this sensor point to South:

1. First install the outdoor 7-IN-1 sensor with its arrow pointing to the South.
2. On the Console, press and hold the [**WIND**] key for 8 seconds until the upper part (Northern Hemisphere) of the compass lights up and blinking.
3. Use [**UP**] or [**DOWN**] key to change to lower part (Southern Hemisphere).
4. Press the [**WIND**] key to confirm and exit.



















NOTE:

Changing from hemisphere setting will automatically switch the direction of the moon phase on the display.


MOON PHASE

In the Northern hemisphere, the moon waxes (the part of the moon we see that glows after the New Moon) from the right. Hence the sun-lit area of the moon moves from right to left in the Northern Hemisphere, while in the Southern Hemisphere, it moves from left to right. Below is the table which illustrate how the moon will appear on the console.

Northern hemisphere	Moon Phase	Southern hemisphere
	New Moon	
	Waxing Crescent	
	First quarter	
	Waxing Gibbous	
	Full Moon	
	Waning Gibbous	
	Third quarter	
	Waning Crescent	

MAINTENANCE

BATTERY REPLACEMENT

When low battery indicator "  " is showing on the OUT section, it indicates the current sensor's battery power is low. Please replace the sensor batteries with new batteries accordingly.

WIRELESS 7-IN-1 SENSOR MAINTENANCE



REPLACE THE WIND CUP

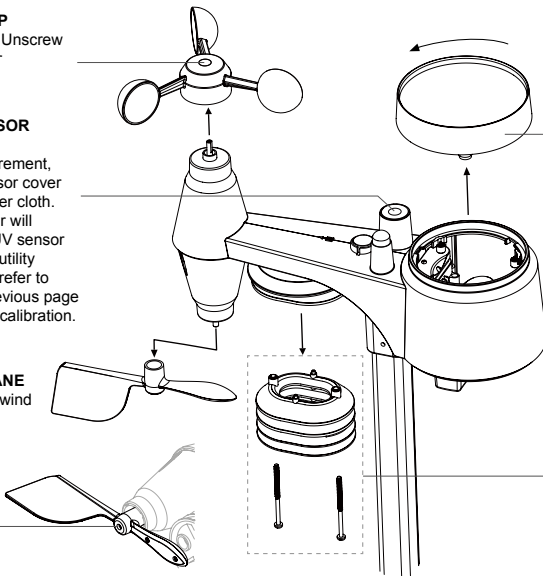
1. Remove rubber cap and Unscrew
2. Remove the wind cup for replacement

CLEANING THE UV SENSOR AND CALIBRATION

- For precision UV measurement, gentle clean the UV sensor cover lens with damp micro-fiber cloth.
- Over time, the UV sensor will naturally degrade. The UV sensor can be calibrated with a utility grade UV meter, please refer to Calibration section in previous page for about the UV sensor calibration.

REPLACE THE WIND VANE

Unscrew and remove the wind vane for replacement





CLEANING THE RAIN COLLECTOR

1. Rotate the rain collector by turning it 30° anti-clockwise.
2. Gently remove the rain collector.
3. Clean and remove any debris or insects.
4. Install the collector when it is clean and fully dried.

CLEANING HYGRO-THERMO SENSOR

1. Remove the 2 screws at the bottom of the radiation shield.
2. Gently pull out the bottom 4 shields.
3. Carefully remove any dirt or insects on the sensor and ventilation fan (do not let the sensors inside get wet).
4. Clean the shield with water to remove any dirt or insects.
5. Install all the parts back when they are clean and fully dried.

TROUBLESHOOTING

Problem / Symptom	Solution
Strange or no measurement of Rain Sensor	<ol style="list-style-type: none"> 1. Check the drain hole in the rain collector. 2. Check the balance indicator.
Strange or no measurement of Thermo / Hygro Sensor	<ol style="list-style-type: none"> 1. Check the radiation shield. 2. Check the sensor casing.
Strange or no measurement of Wind Speed and Direction	<ol style="list-style-type: none"> 1. Check wind cups (Anemometer). 2. Check the wind vane.
☂ and  (Signal lost for 15 minutes) ☂ and  (Signal lost for 1 hour)	<ol style="list-style-type: none"> 1. Relocate the console and 7-IN-1 sensor closer to each other. 2. Make sure the console is placed away from other electronic appliances that may interfere with the wireless communication (TVs, computers, microwaves). 3. If problem continues, reset both console and 7-IN-1 sensor.
Temperature reading too high in the day time	Make certain that the sensor array is not too close to heat generating sources or structures, such as buildings, pavement, walls or air conditioning units.

SPECIFICATIONS

CONSOLE	
Dimensions (W x H x D)	168 x 136 x 24mm (without attach table stand)
Weight	260g
Main power	DC 5V, 1A adaptor (Manufacturer: HUAXU Electronics Factory, Model: HX075-0500600-AB)
Backup battery	CR2032
Support sensor	Wireless 7-IN-1 sensor (Wind speed, Wind direction, Rain gauge, Thermo-hygro, UVI, Light)
RF frequency	868Mhz
RADIO-CONTROLLED / ATOMIC CLOCK	
Synchronization	Auto or disabled
Clock display	HH:MM:SS / Weekday
Hour format	12hr AM / PM or 24hr
Calendar	DD / MM
Weekday in 7 languages	EN/ FR/ DE/ ES/ IT/ NL/ RU
RCC time signal	MSF
DST	AUTO / OFF (only available when RCC is ON)
INDOOR BAROMETER	
Barometer unit	hPa, inHg and mmHg
Measuring range	540 ~ 1100hPa
Accuracy	(700 ~ 1100hPa ± 5hPa) / (540 ~ 696hPa ± 8hPa) (20.67 ~ 32.48inHg ± 0.15inHg) / (15.95 ~ 20.55inHg ± 0.24inHg) (525 ~ 825mmHg ± 3.8mmHg) / (405 ~ 522mmHg ± 6mmHg) Typical at 25°C (77°F)
Resolution	1 hPa / inHg is 2 decimal place / mmHg is 1 decimal place
Weather forecast	Sunny / Clear, Slightly Cloudy, Cloudy, Rainy, Rainy / Stormy and Snowy
Memory modes	Historical data for last 24hrs, Max / MIN
INDOOR TEMPERATURE	
Temperature unit	°C or °F
Range	-5°C to 50°C (14°F to 122°F)
Resolution	°C / °F (1 decimal place)
Accuracy	<0°C or >40°C ± 2°C (<32°F or >104°F ± 3.6°F) 0~40°C ± 1°C (32~104°F ± 1.8°F)
Memory modes	Historical data for last 24hrs, Max / MIN
INDOOR HUMIDITY	
Range	20% to 90% RH (<20%: LO; > 90%: HI) (Temperature between 0°C to 60°C)
Resolution	1%

Accuracy	20 ~ 40% RH, ± 8% RH, at 25°C (77°F) 41% ~ 70% RH, ± 5% RH, at 25°C (77°F) 71% ~ 90% RH, ± 8% RH, at 25°C (77°F)
Memory modes	Historical data for last 24hrs, Max / MIN
OUTDOOR TEMPERATURE (Note: Data detect from wireless 7-IN-1 sensor)	
Temperature unit	°C or °F
Range	-40°C to 60°C (-40°F to 176°F) Base on non-rechargeable lithium batteries
Resolution	°C / °F (1 decimal place)
Accuracy	5.1 ~ 60°C ± 0.4°C (41.2 ~ 140°F ± 0.7°F) -19.9 ~ 5°C ± 1°C (-3.8 ~ 41°F ± 1.8°F) -40 ~ -20°C ± 1.5°C (-40 ~ -4°F ± 2.7°F)
Memory modes	Historical data for last 24hrs, Max / MIN
OUTDOOR HUMIDITY (Note: Data detect from wireless 7-IN-1 sensor)	
Range	1% to 99% RH
Resolution	1%
Accuracy	1 ~ 20% RH ± 6.5% RH @ 25°C (77°F) 21 ~ 80% RH ± 3.5% RH @ 25°C (77°F) 81 ~ 99% RH ± 6.5% RH @ 25°C (77°F)
Memory modes	Historical data for last 24hrs, Max / MIN
RAIN (Note: Data detect from wireless 7-IN-1 sensor)	
Rainfall unit	mm and in
Range for rainfall	0~9999mm (0~393.7inches)
Resolution	0.4 mm (0.0157 in)
Accuracy for rainfall	Greater of +/- 7% or 1 tip
Memory modes	Historical data for last 24hrs, Max
WIND (Note: Data detect from wireless 7-IN-1 sensor)	
Wind speed unit	mph, m/s, km/h, knots
Wind speed range	0~112mph, 50m/s, 180km/h, 97knots
Wind speed resolution	0.1mph or 0.1knot or 0.1m/s
Speed accuracy	< 5m/s: +/- 0.5m/s; > 5m/s: +/- 6%
Direction resolutions	16 or 360 degree
Memory modes	Historical data for last 24hrs, Max
UV INDEX (Note: Data detect from wireless 7-IN-1 sensor)	
Range	0 ~16
Resolution	1 decimal place
Memory modes	Historical data for last 24hrs, Max
LIGHT INTENSITY (Note: Data detect from wireless 7-IN-1 sensor)	
Light intensity unit	Klux (lux), Kfc (fc) and W/m²
Range	0 ~ 200Klux
Resolution	Klux, Kfc, fc, and W/m² (1 decimal place), lux (integer)
Memory modes	Historical data for last 24hrs, Max

WIRELESS 7-IN-1 SENSOR

Dimensions (W x H x D)	343.5 x 393.5 x 136mm (13.5 x 15.5 x 5.35in) installed mounting
Weight	673g with batteries
Battery	3 x AA size 1.5V batteries (Lithium battery recommended for low temperature usage)
RF Frequency	868 MHz
RF transmission range	Up to 150 meters
Transmission	Every 12 seconds

All enquiries: service@youshiko.co.uk
Made for Youshiko in PRC



