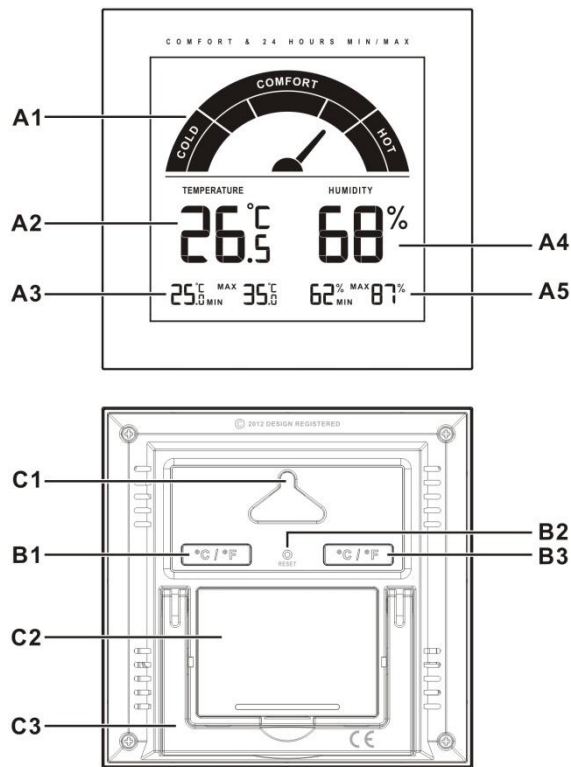


Youshiko YC9066 Digital Thermometer and Hygrometer

1. Features

- 1.1 Temperature**
 - Indoor measurable range: -9.9°C ~+ 50°C
 - Past 24 Hrs maximum & minimum temperature record
- 1.2 Humidity**
 - Indoor measurable range: 20% ~ 99%
 - Past 24 Hrs maximum & minimum humidity record
- 1.3 Comfort Indicator** - Cold, Comfort and Hot Zone according to temperature & humidity

2. Unit Appearance



Part A-LCD

- A1: Comfort Indicator record
- A2: Temperature A4: Humidity
- A3: Past 24 Max & Min Temperature A5: Past 24 Max & Min Humidity record

Part B-Button

- B1&B3: "C/F" Button
- B2: "RESET" Button

Part C-Structure

C1: Hanging Hole

C3: Stand

C2: Battery Cover

3. Getting Started:


- Open battery Cover (C2)
- Insert 2 x AAA size batteries observing polarity [“ +” and “ -” marks]
- Replace battery compartment cover
- Wall mounted by the hanging hole (C1), OR place the unit onto flat surface, the unit is ready for use now.

4. Start-Up

4.1 Comfort Indicator

- After start-up the clock will measure the current temperature and humidity automatically
- Comfort indicator is for the display of pleasant/unpleasant climate. Comfort Indicator is divided into 3 different zones: Cold, Comfort, Hot.

4.2 Temperature & Humidity Record

- Press “°C/°F” button to select Temperature in Celsius mode or Fahrenheit mode.
- The temperature measurement range is -9.9°C to +50°C. If the temperature is out of the measurable range, LL.L (beyond the minimum temperature) or HH.H (beyond the maximum temperature) will be shown on the LCD.
- The humidity measurable range is 20% ~ 99%. If the current humidity measurement is lower than 20%, the LCD would display . If the past 24 hours max/min humidity record is lower than 20%, the LCD would display



REMARK:

If the unit shows values that are obviously incorrect, you can reset it the unit.

Take a pointed object, and insert it into the RESET (B1) opening. The unit is reset and all record including past 24 hours max/min temperature and humidity would be clear.

5. Precautions

- *The unit loses its information when the battery is removed.*
- *Do not expose it to direct sunlight, heavy heat, cold, high humidity or wet areas*

- *Never clean the device using abrasive or corrosive materials or products. Abrasive cleaning agents may scratch plastic parts and corrode electronic circuits*

6. Specifications

Unit Dimensions:	107 x 104 x 20 mm
Battery Requirements:	2 x AAA batteries
Humidity Range	20% to 99%
Temperature range:	-10°C to +50°C

Please note: batteries are not included.

Products and batteries:

Products and batteries should not be disposed of with normal household waste.

According to Directive 2012/19/EU, the device is to be supplied at the end of its useful life to a proper disposal. The valuable materials contained in the device are supplied to recycling and avoid the burden of the environment. Please take this device to a collection point for electronic waste or a recycling center.

Remove the batteries from the unit before disposing of it and dispose of them separately.

Consumer is legally obliged to dispose of used batteries at a collection point for used batteries, at a local recycling center or at the battery point of sale, for further information, contact your local waste disposal company or local government.



LIABILITY DISCLAIMER:

The electrical and electronic wastes contain hazardous substances; Disposal of electronic waste in wild country and/or in unauthorized grounds strongly damages the environment.

- Please contact your local and/or regional authorities to retrieve the addresses of legal dumping grounds with selective collection.
- All electronic instruments must from now on be recycled. User shall take an active part in the re-use, recycling and recovery of the electrical and electronic waste.
- The unrestricted disposal of electronic waste may do harm on public health and the quality of environment.
- As stated on the gift box and labelled on the product, reading the “User manual” is highly recommended for the benefit of the user. This product must not be thrown in general rubbish collection points.
- The manufacturer or supplier cannot accept any responsibility for any incorrect readings and any consequences that occur should an inaccurate reading take place.
- This product is designed for use in the home only as indication of the temperature / Humidity etc
- This product is not to be used for medical purposes or for public information.
- The specifications of this product may change without prior notice.
- This product is not a toy, Keep out of the reach of children.
- No part of this manual may be reproduced without written authorization of the manufacturer.

All enquires: service@youshiko.co.uk

