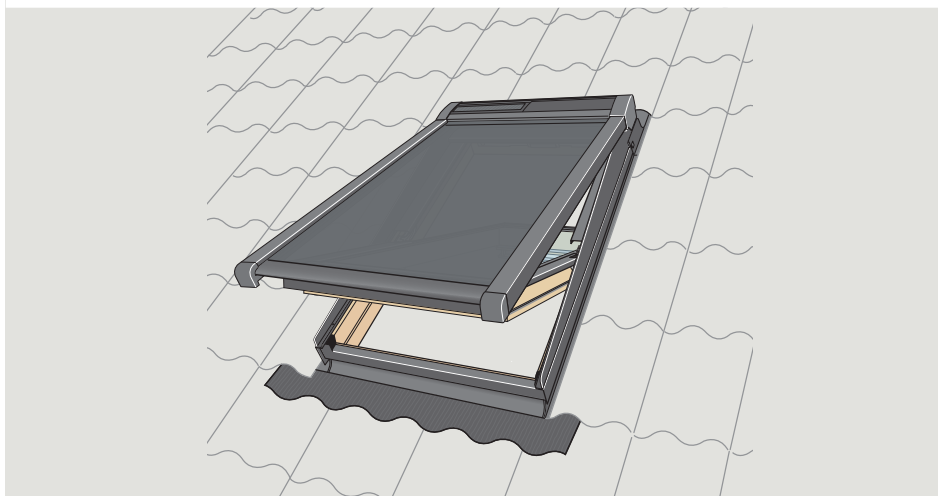
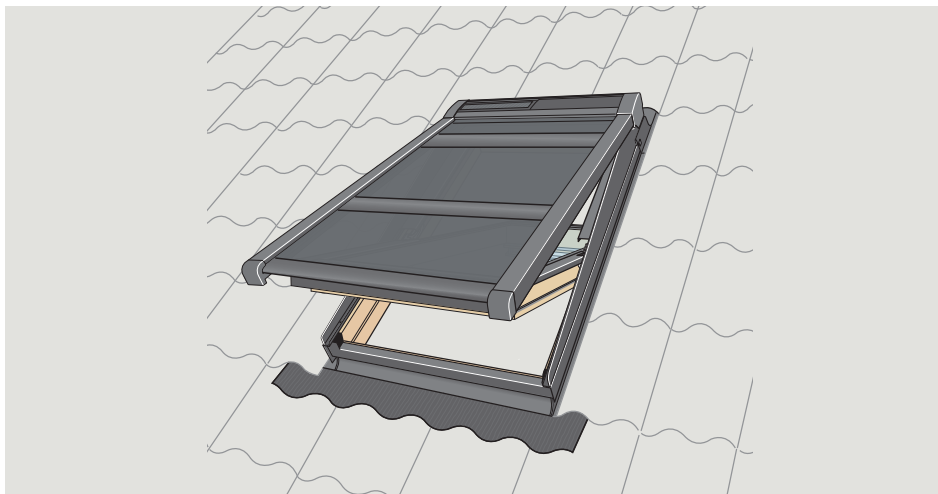
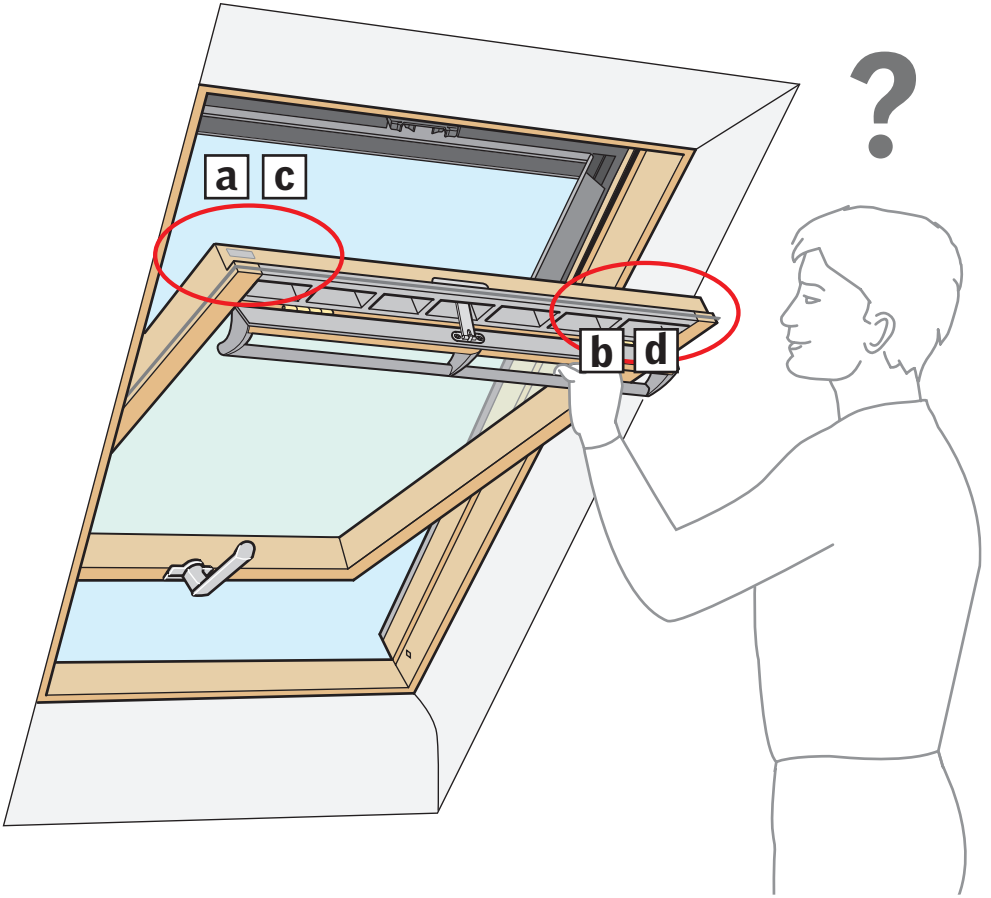


VELUX INTEGRA® Solar SSS/MSL





a

VELUX® XXX **XKXX** XXXXXXXXXX
XX XXXX X

www.velux.com/ce CE¹³
EN14351-1:2006+A2:2016

Pages 4-21 →

b

XXX **XKXX** XXXX

VELUX®
www.velux.com

Pages 25-39 →

c

GPU VELUX INTEGRA®

VELUX® GPU **XKXX** XXXXXXXX
VELUX INTEGRA® XX XXXX X

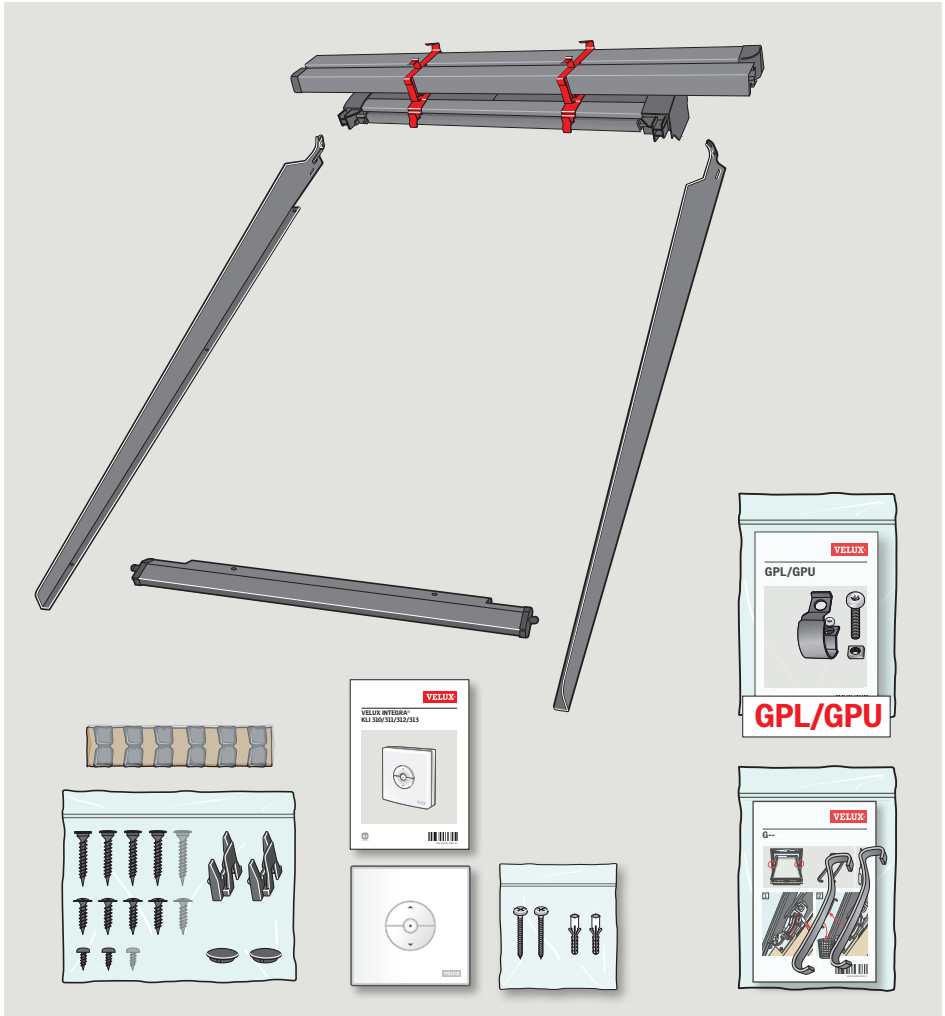
www.velux.com/ce CE¹³
EN14351-1:2006+A1:2010

ZOZ 229

d

VELUX® XXX **XKXX** XXXX

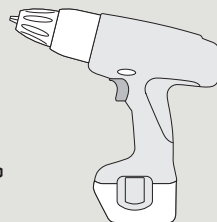
ZOZ 238



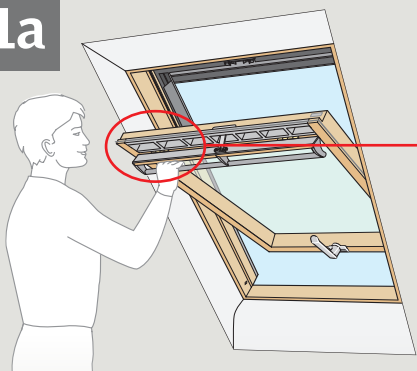
Torx 20



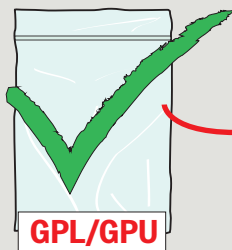
Ø 2 mm



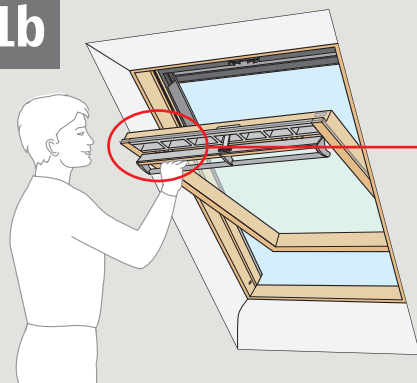
1a



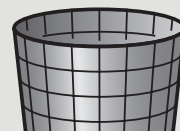
GPL/GPU



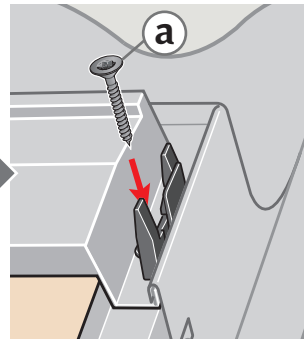
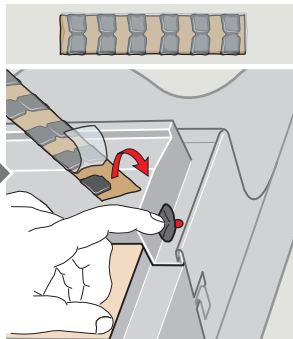
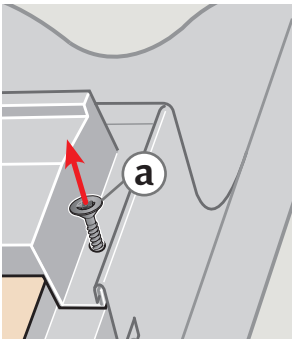
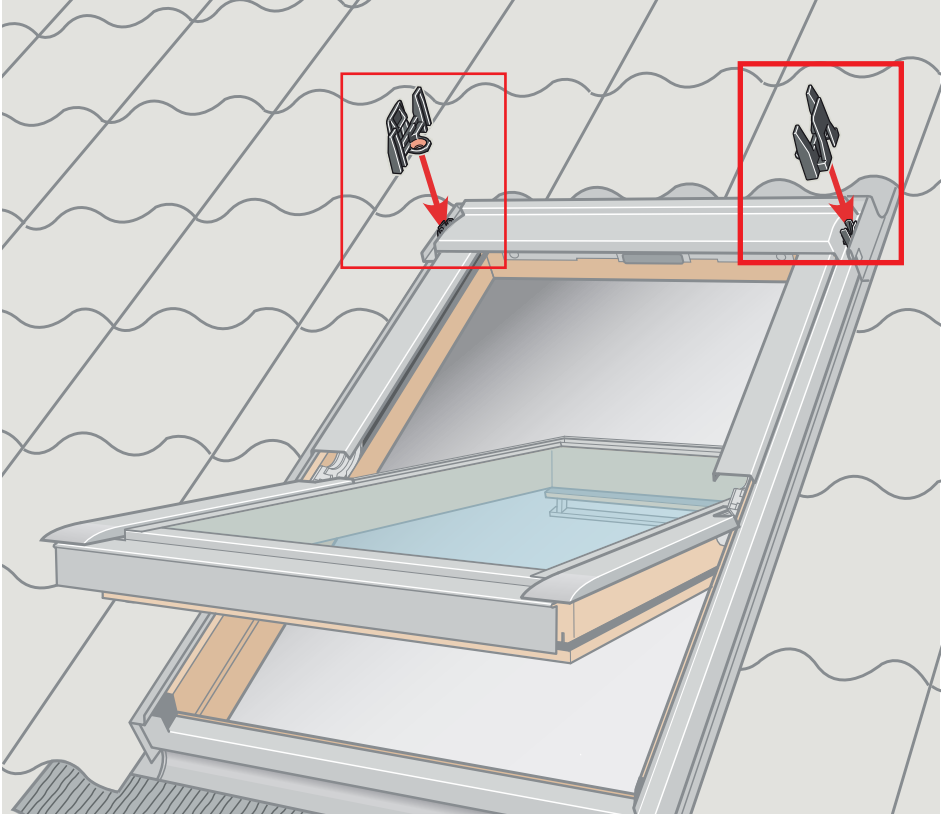
1b



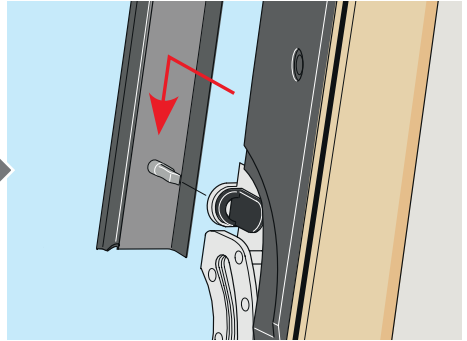
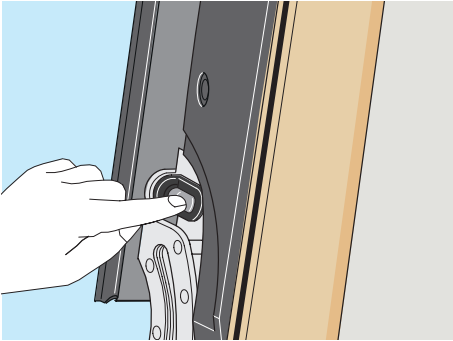
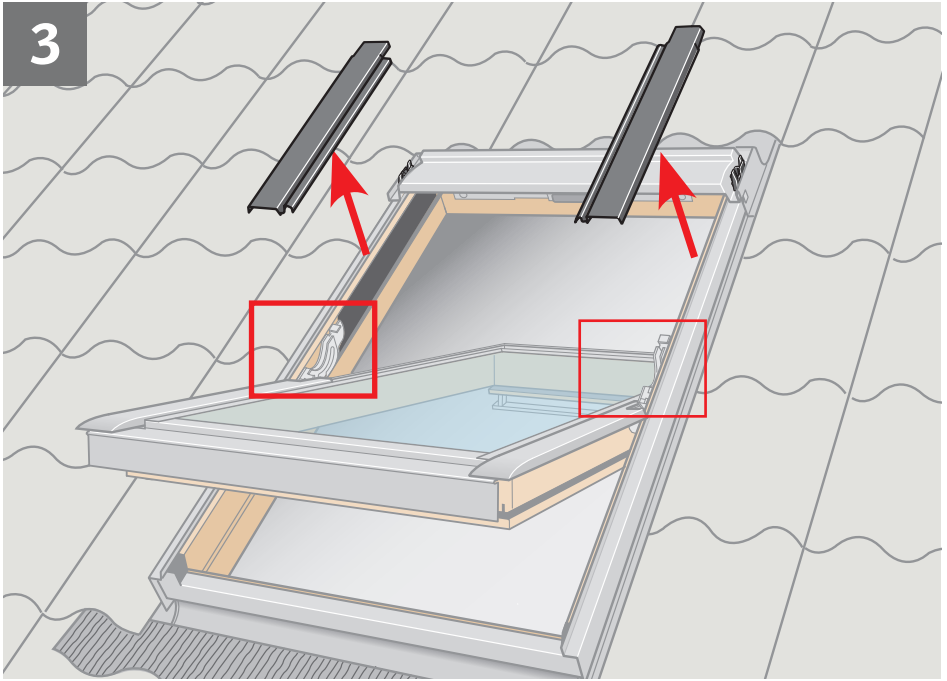
G--



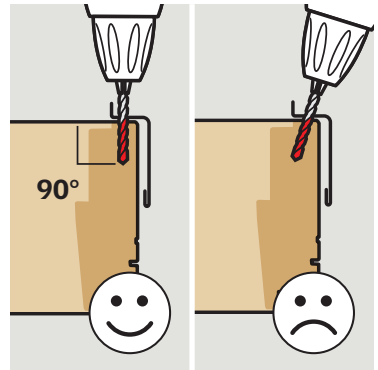
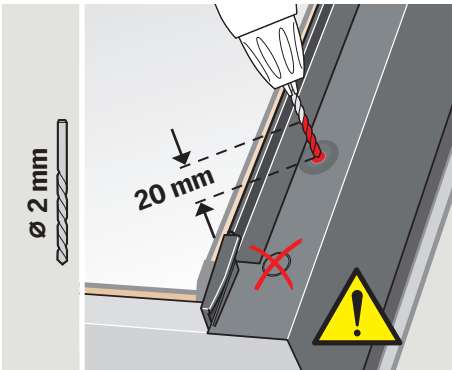
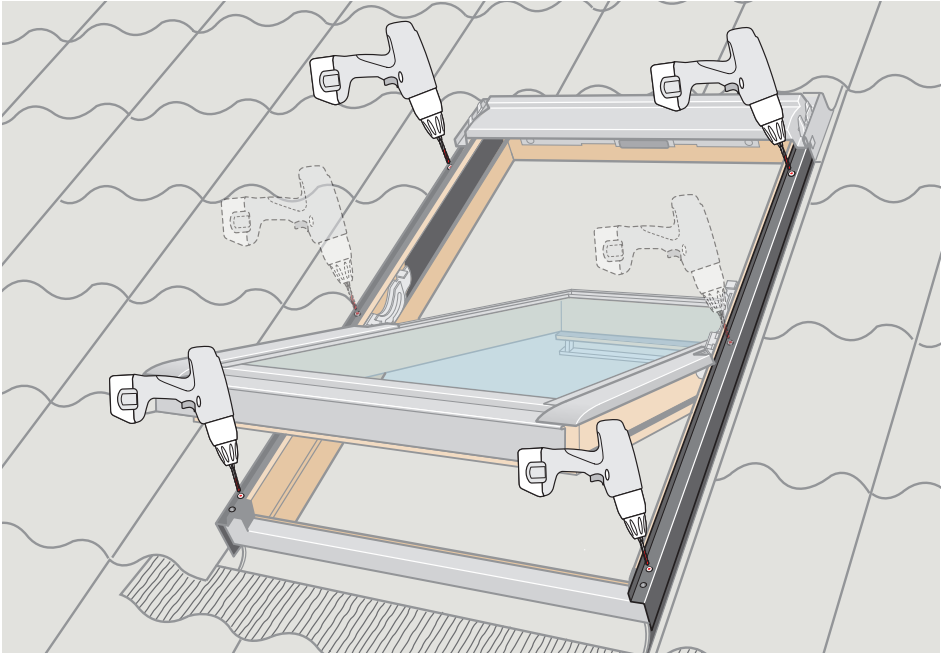
2

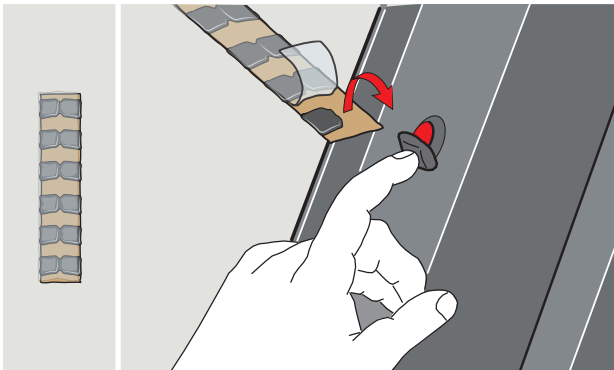
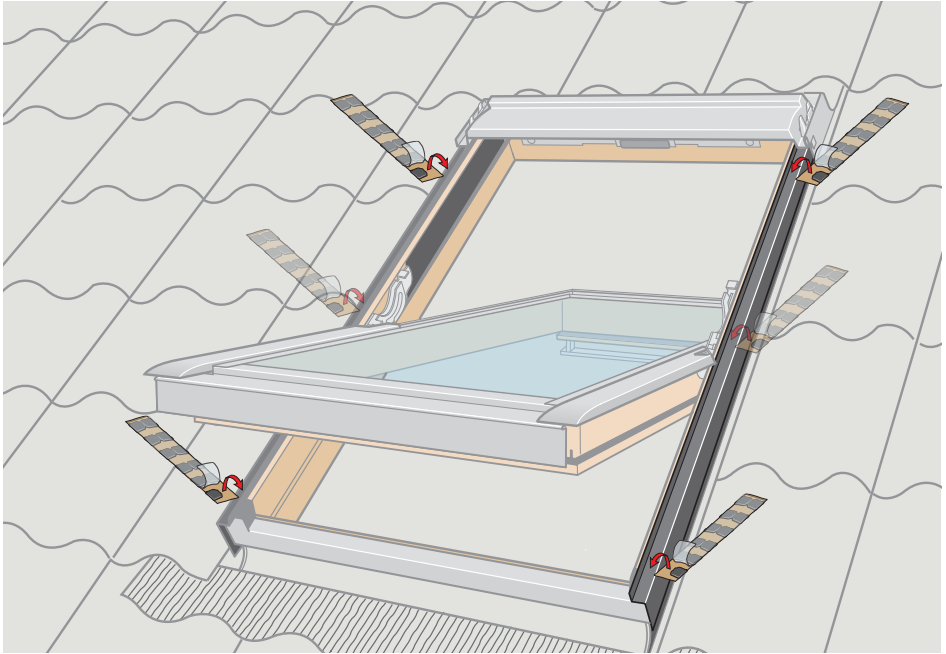


3

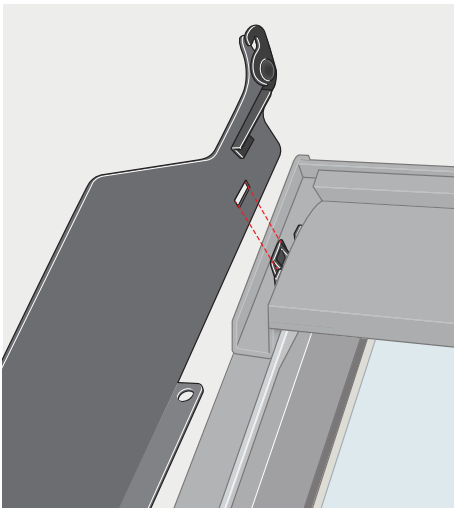
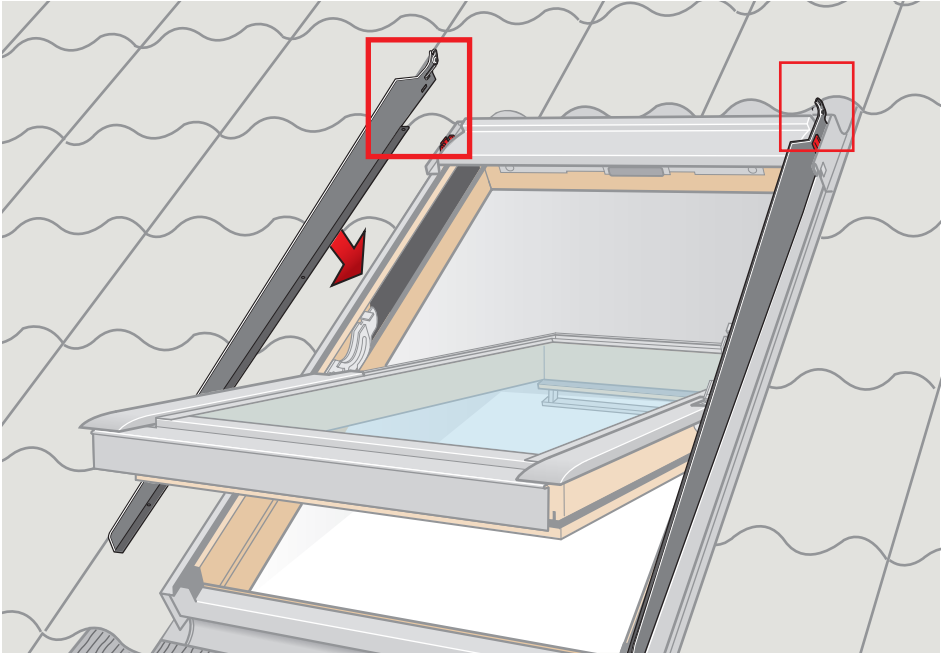
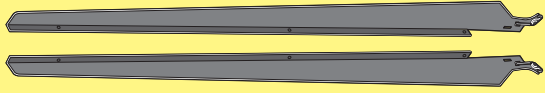


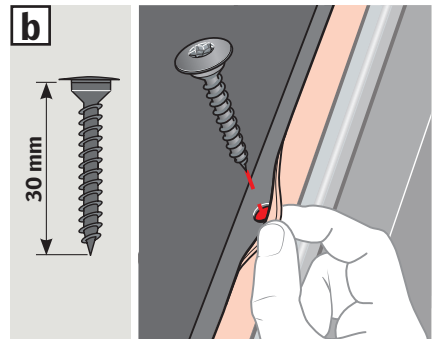
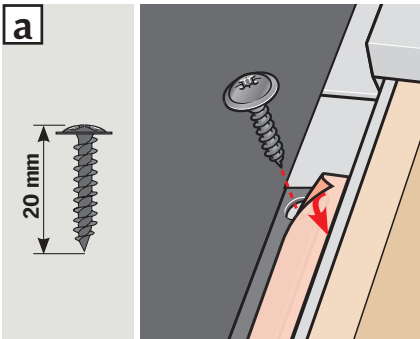
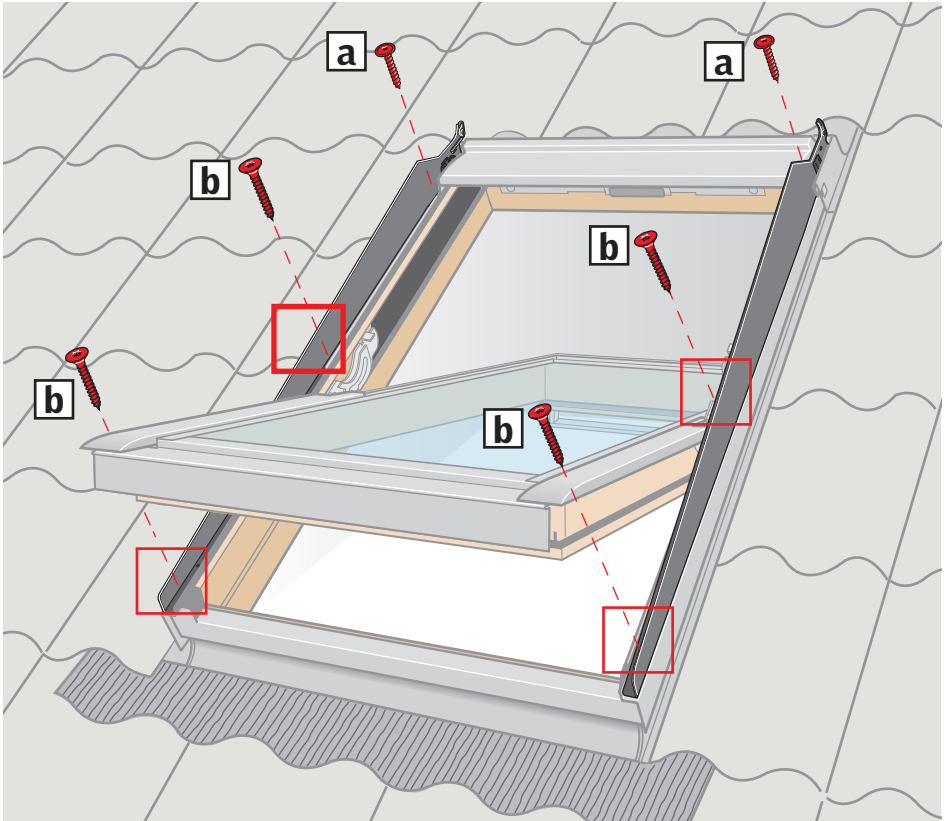
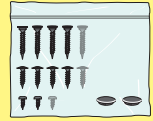
4



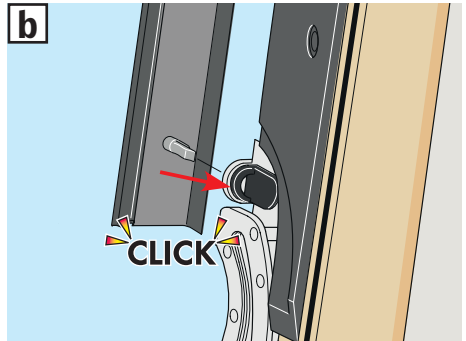
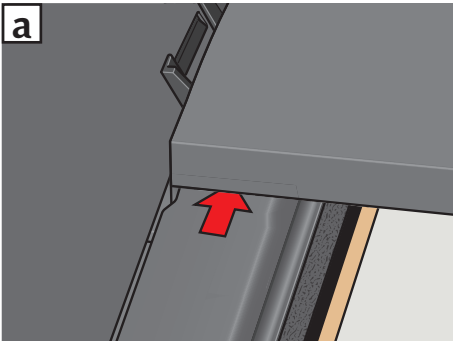
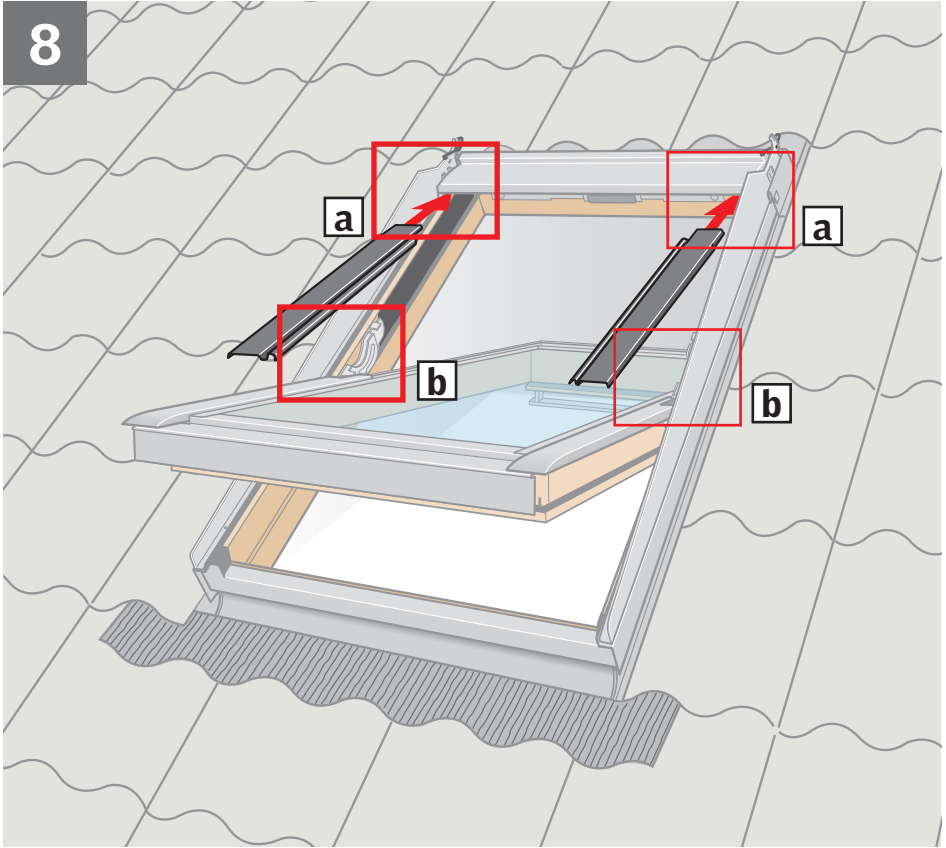


6

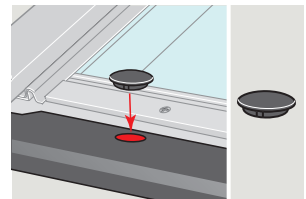
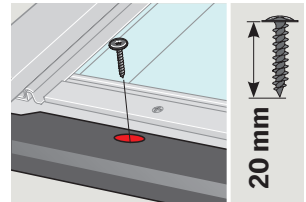
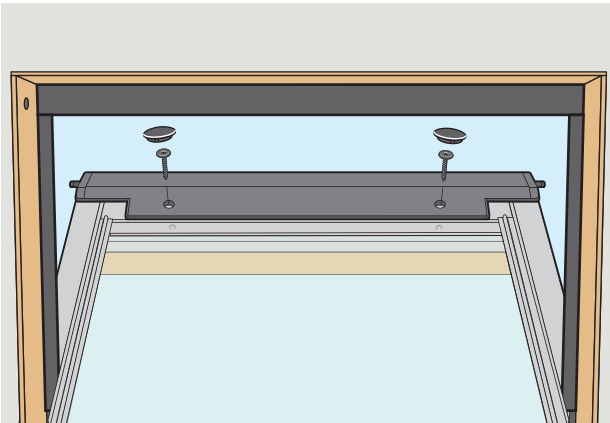
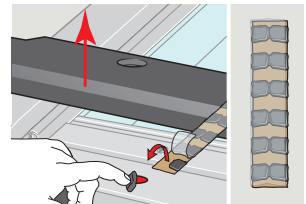
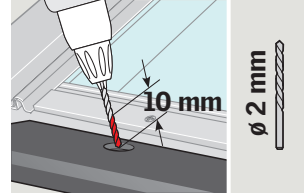
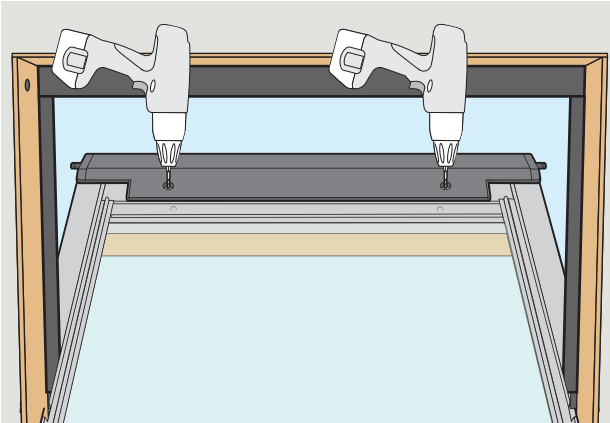
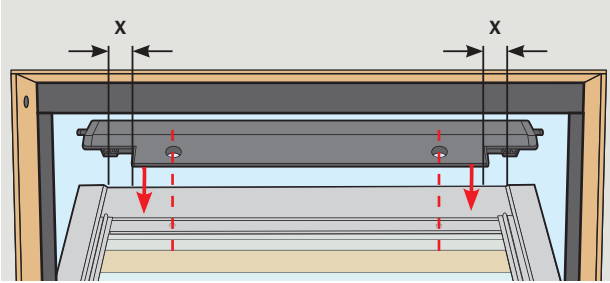
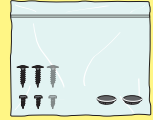
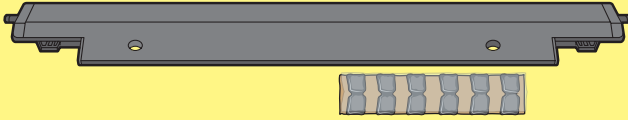


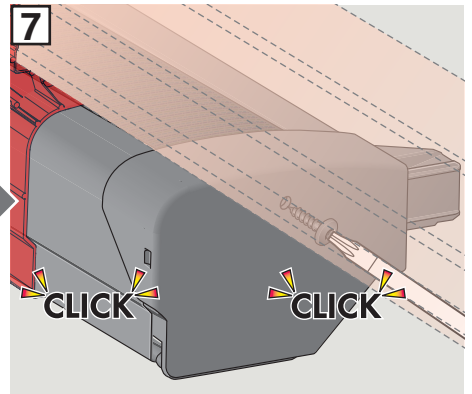
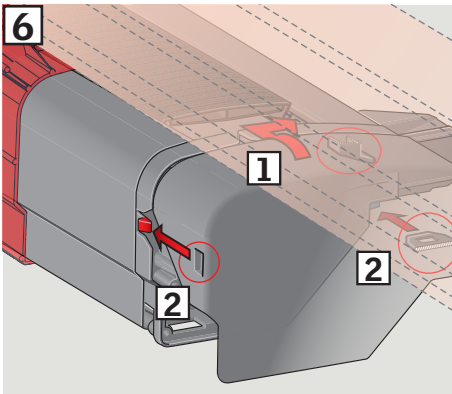
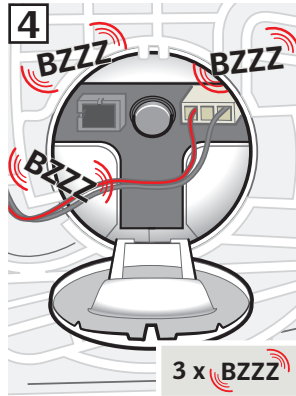
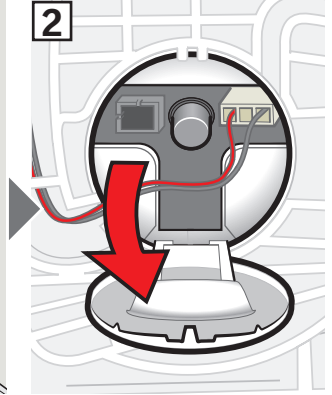
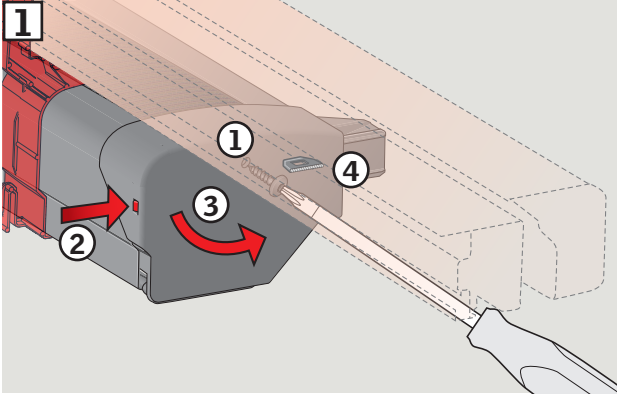
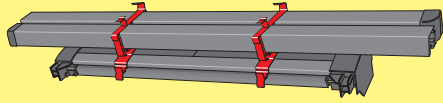


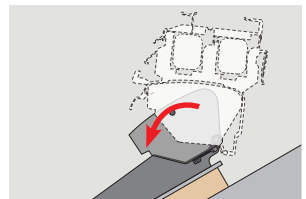
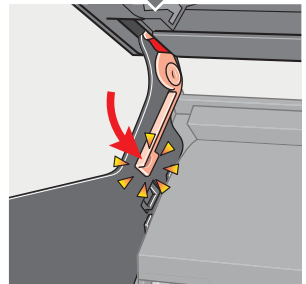
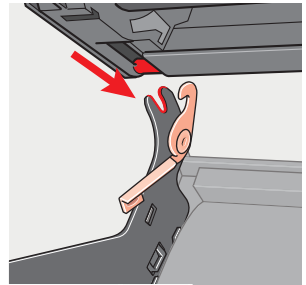
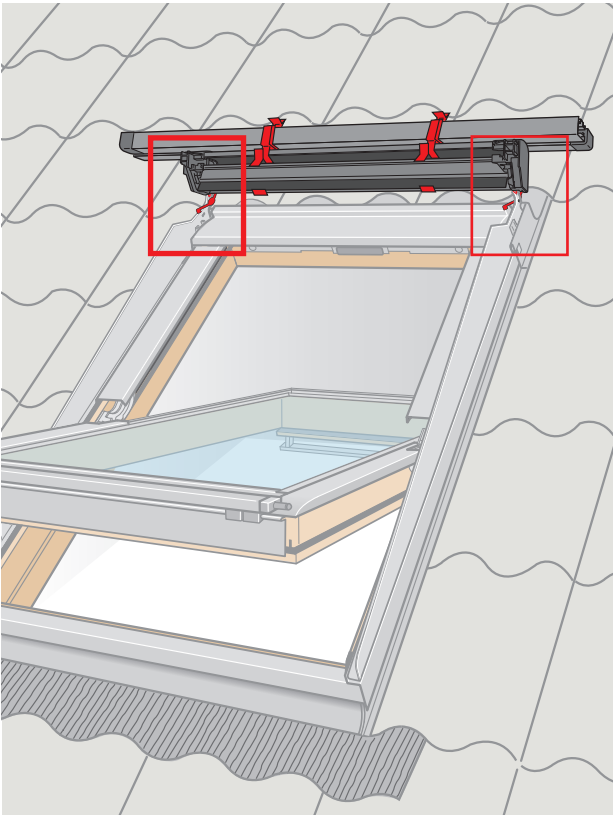
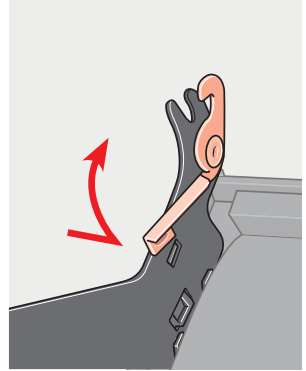
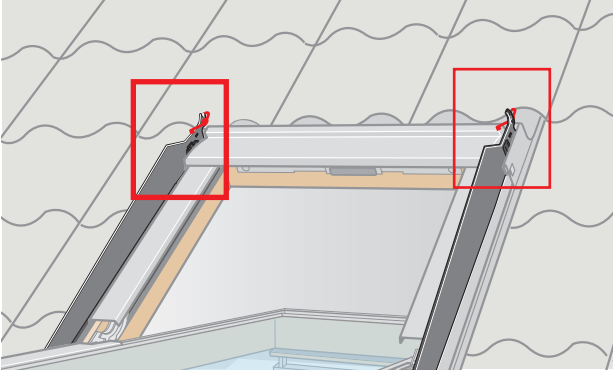
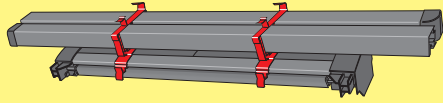
8



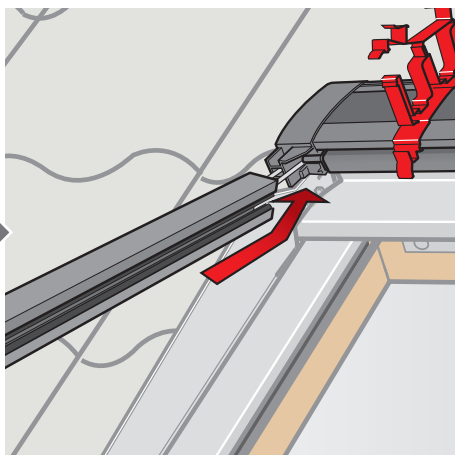
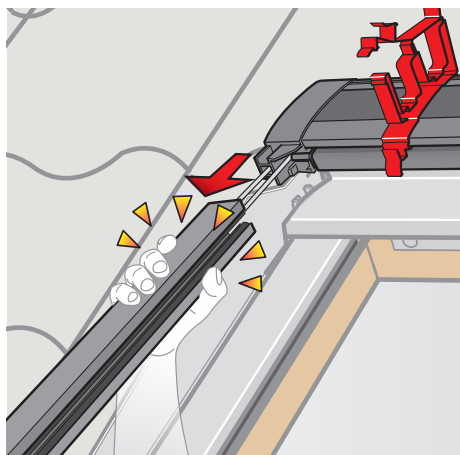
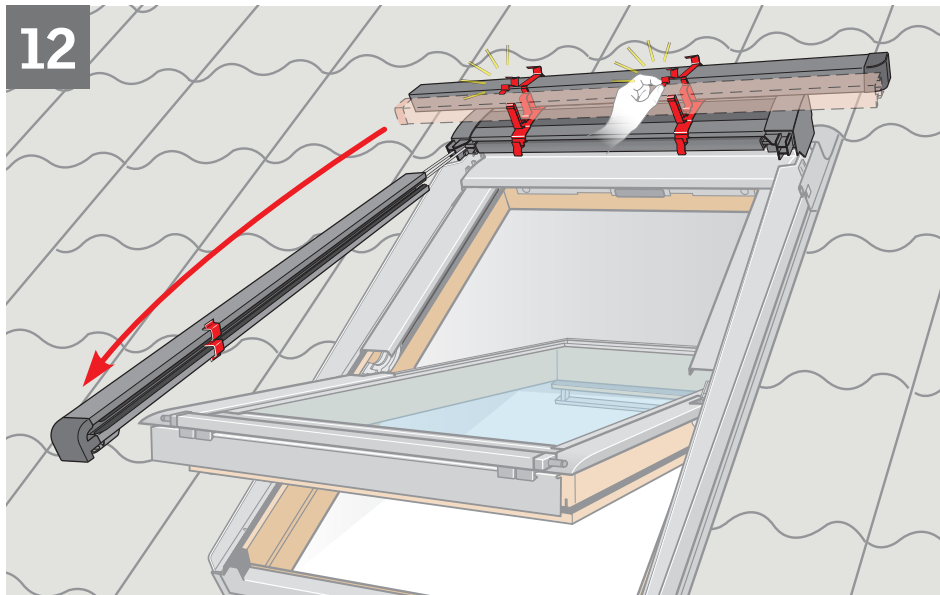
9





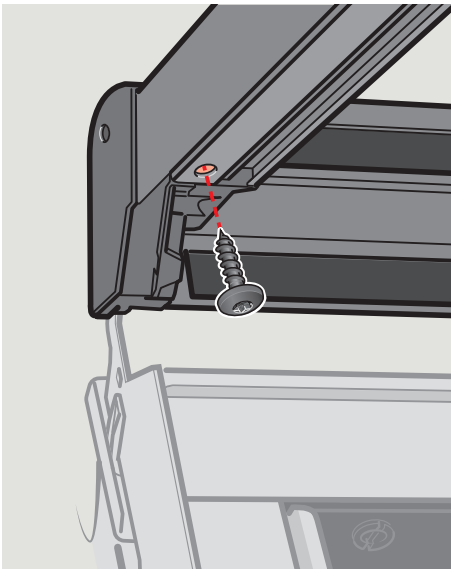
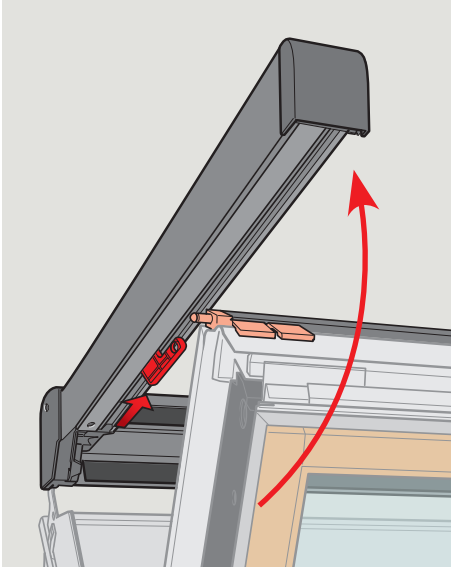
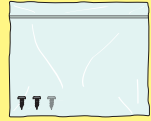


12

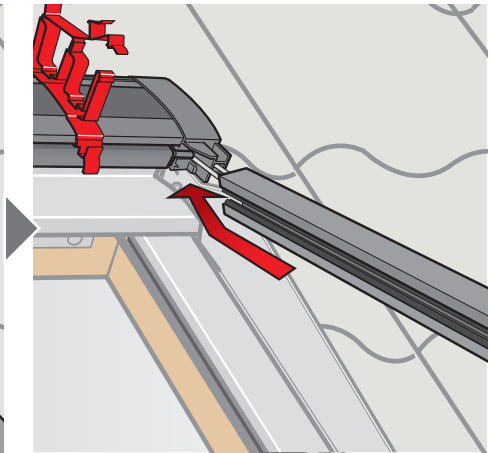
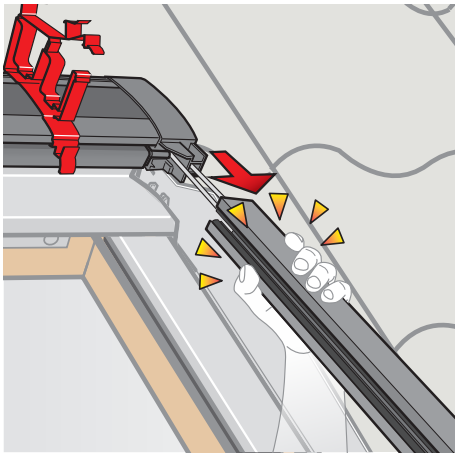
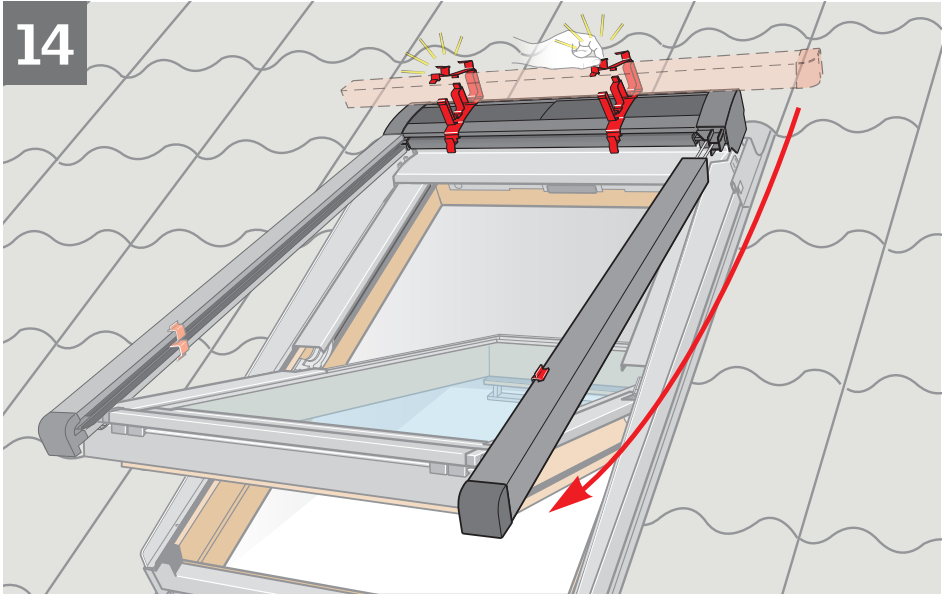


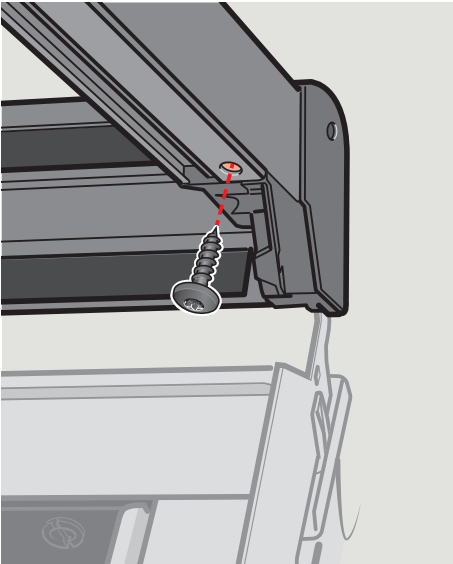
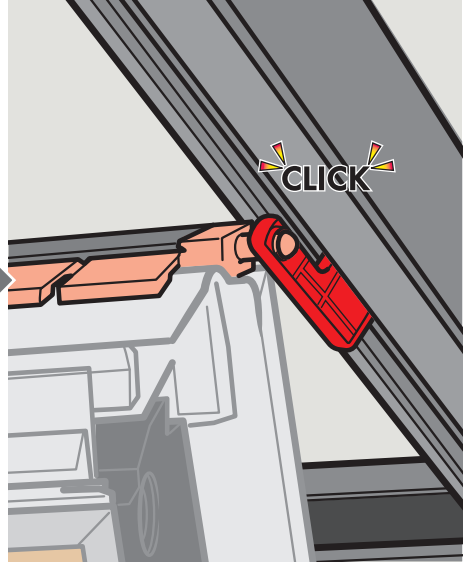
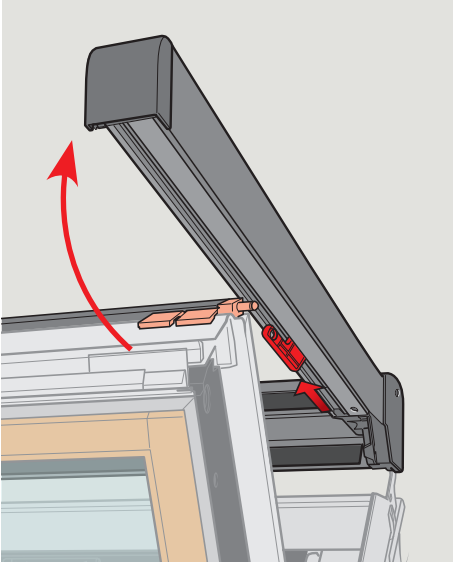
13

12 mm

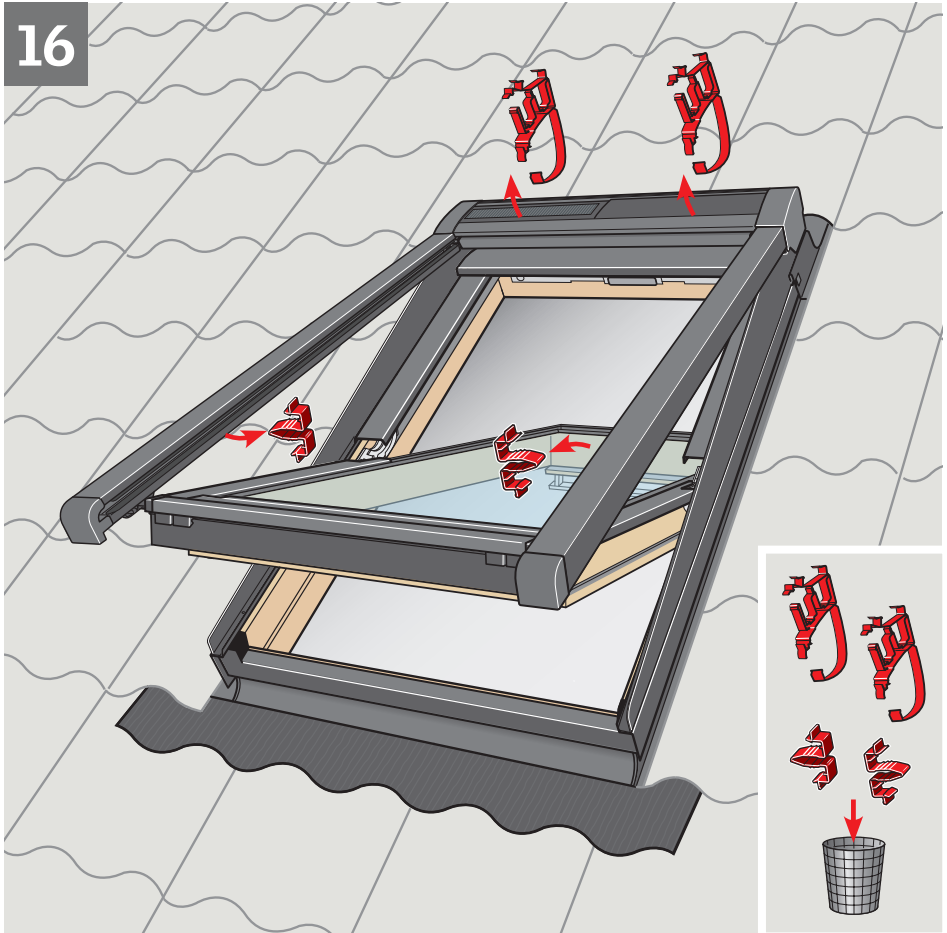


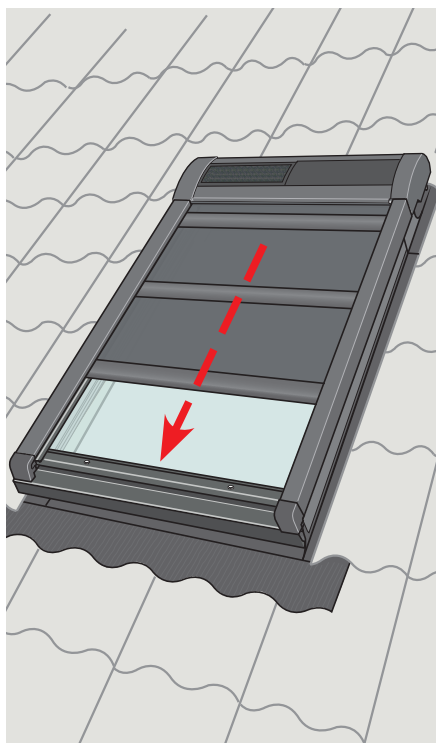
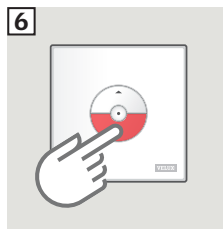
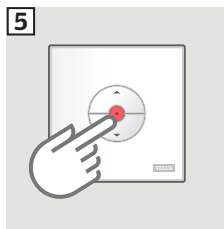
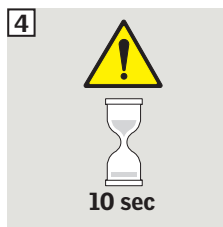
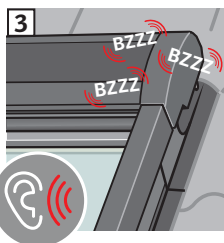
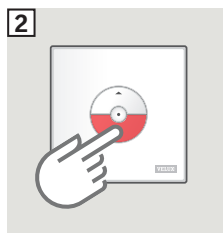
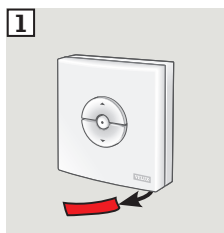
14





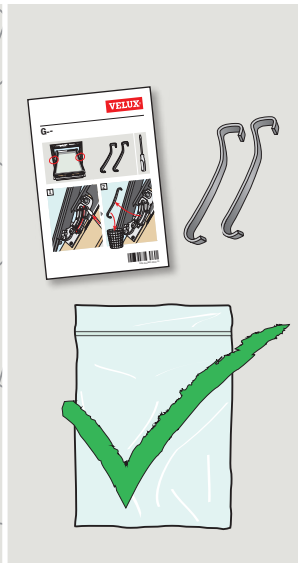
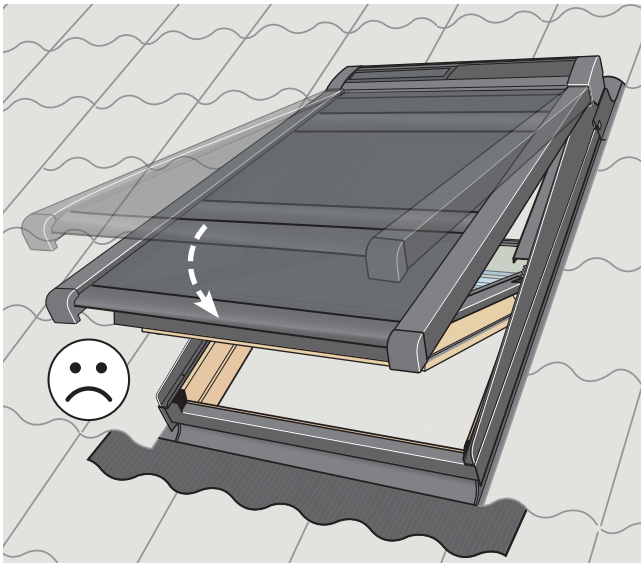
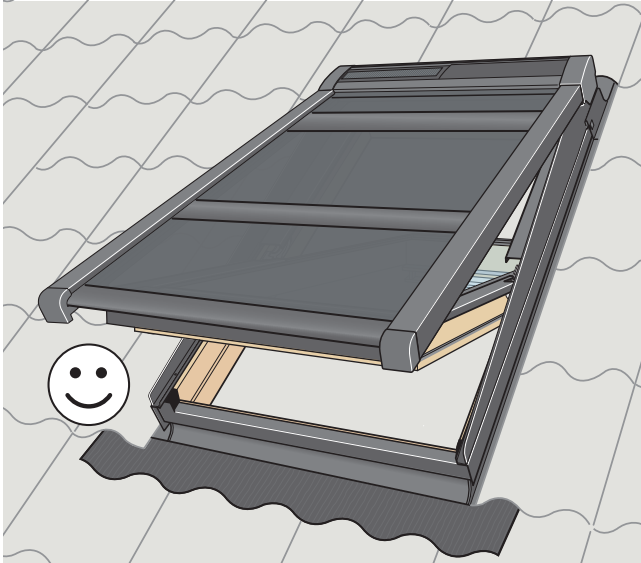
16



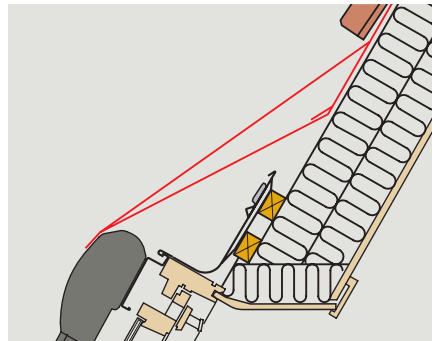
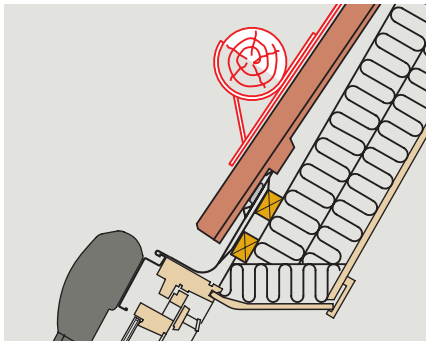
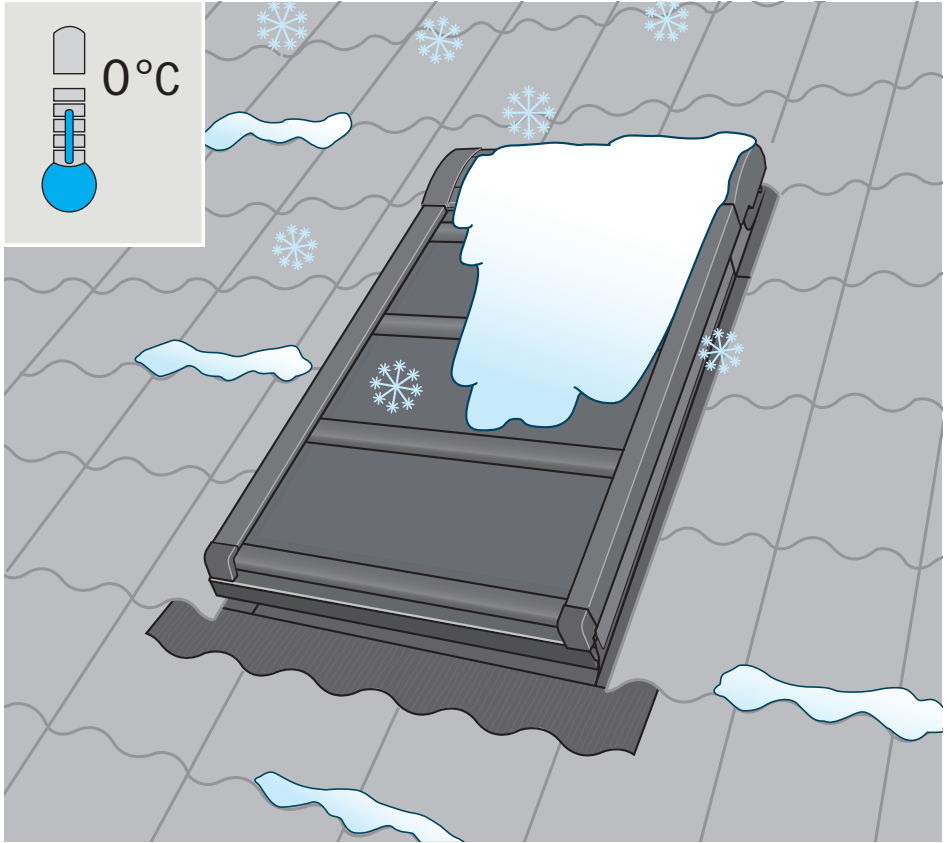


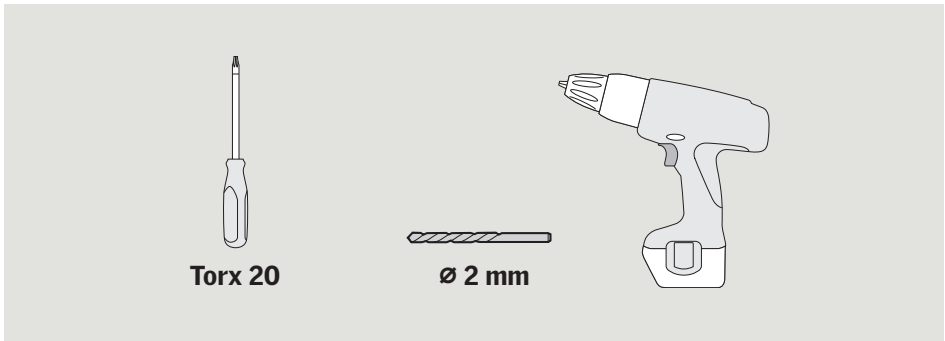
www.velux.com/integrasupport

i

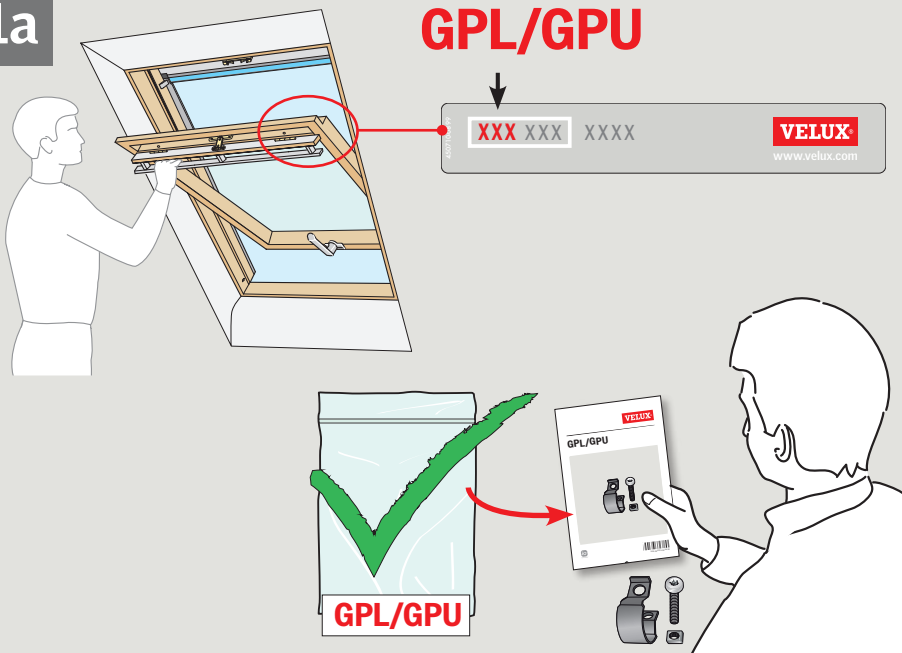


i

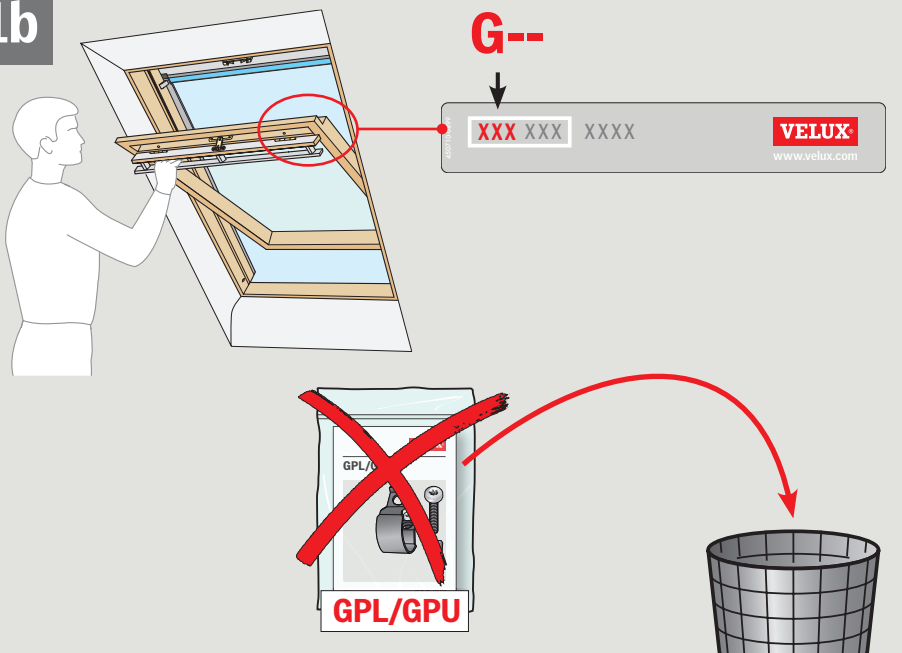


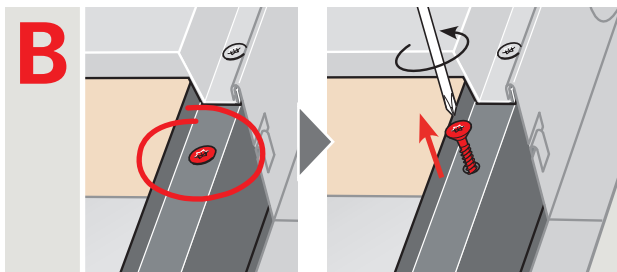
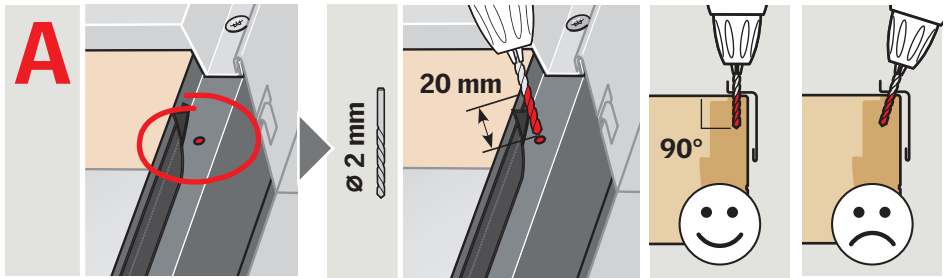
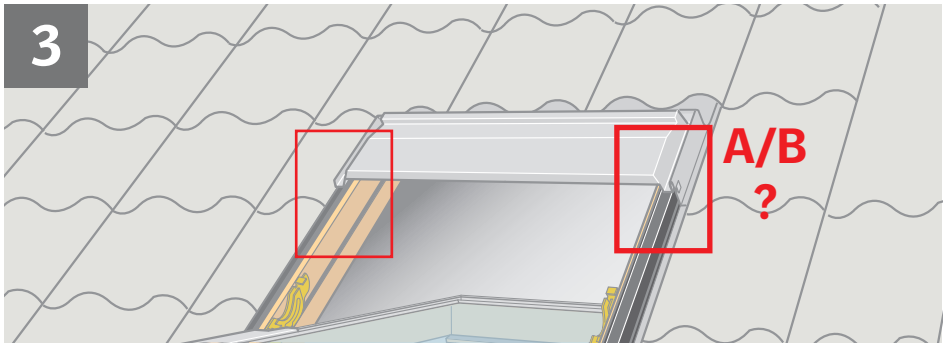
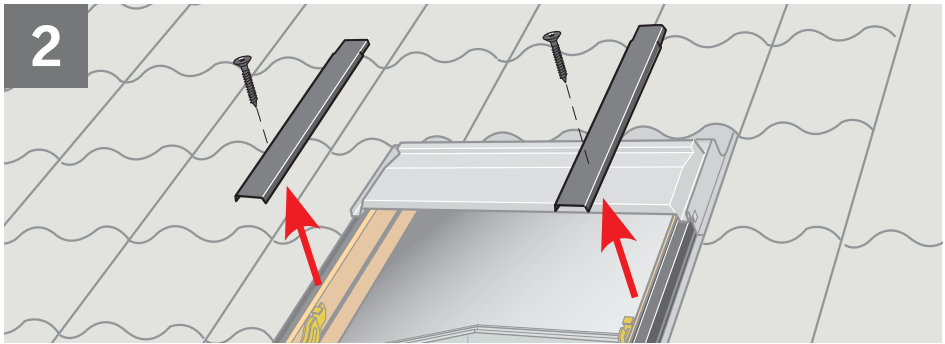


1a

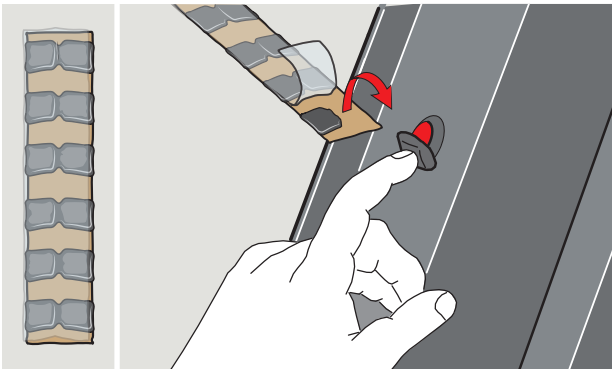
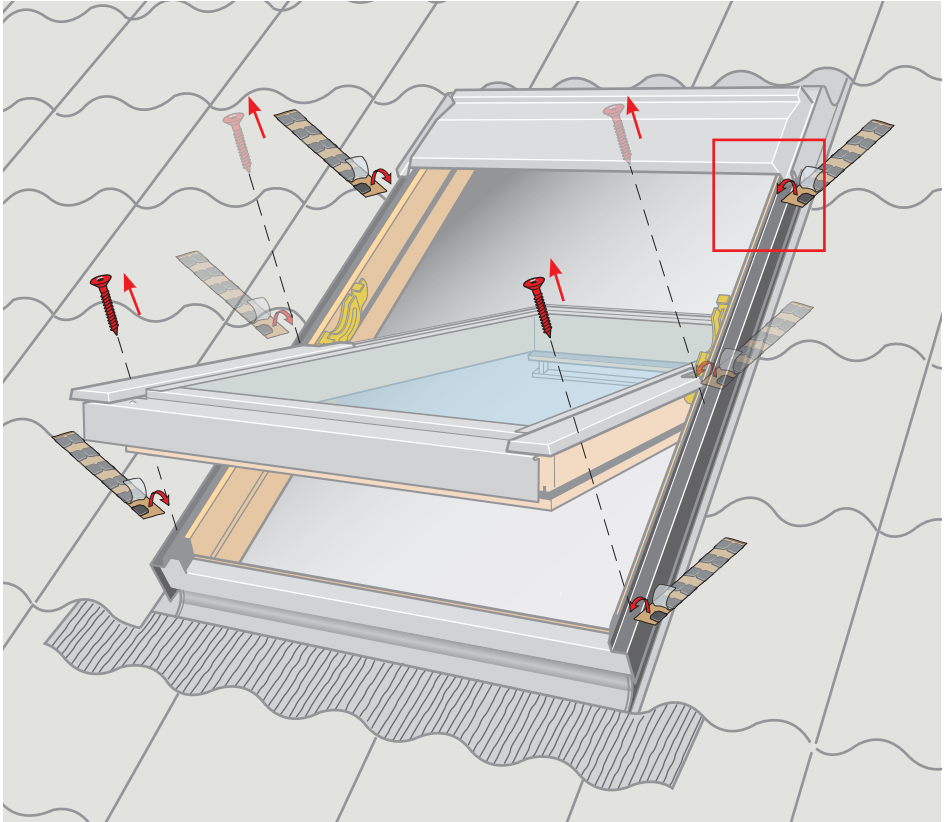


1b

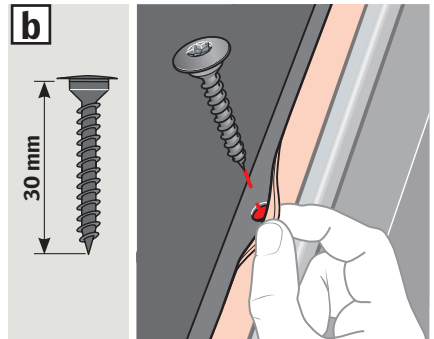
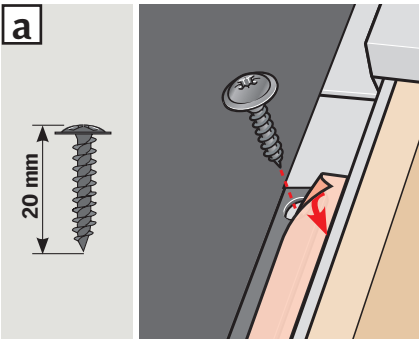
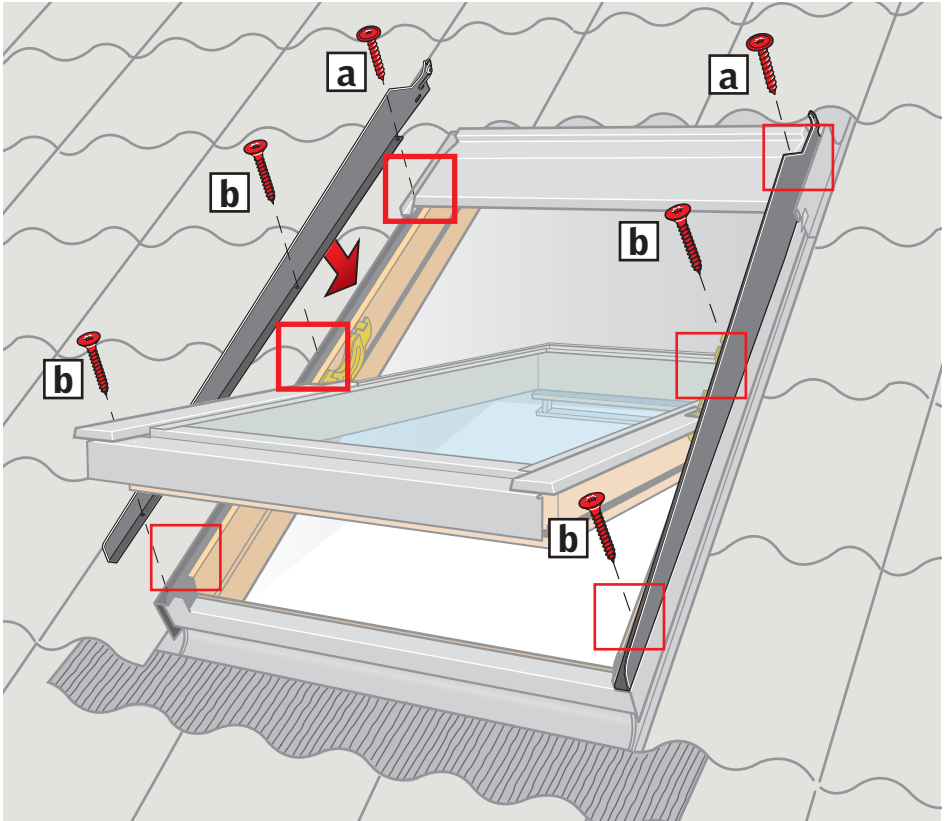
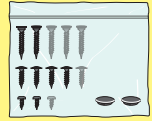
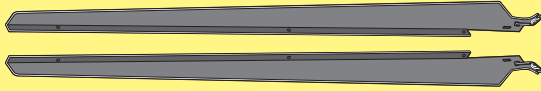




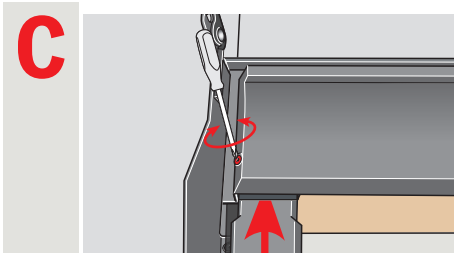
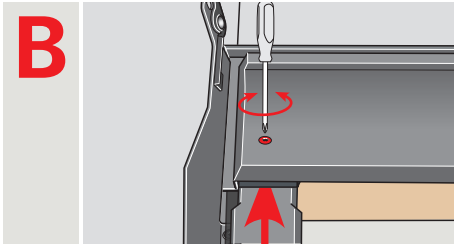
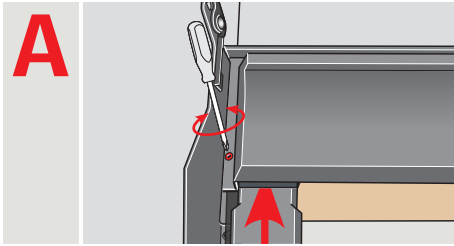
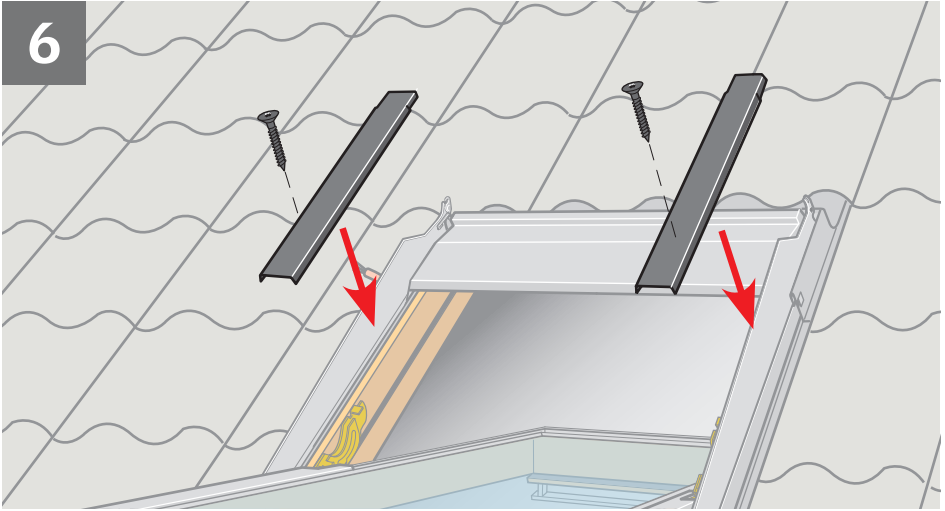
4



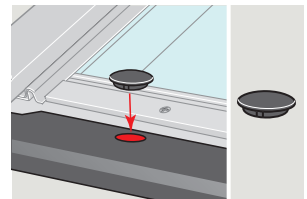
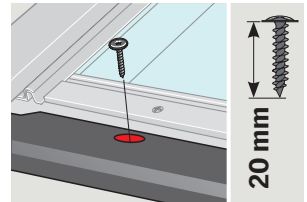
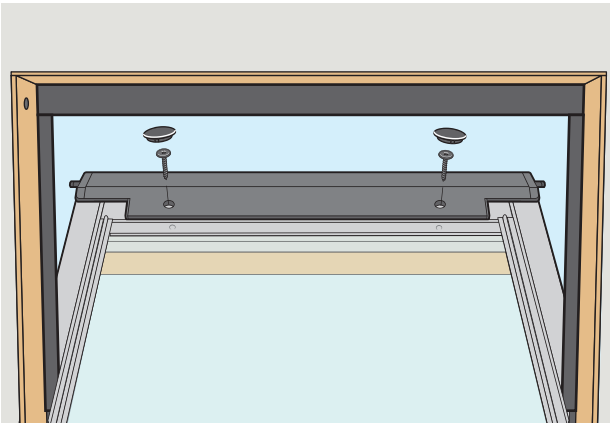
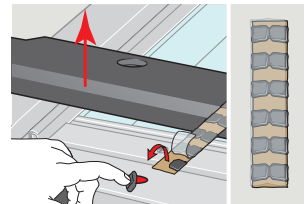
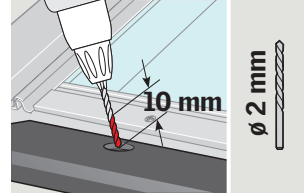
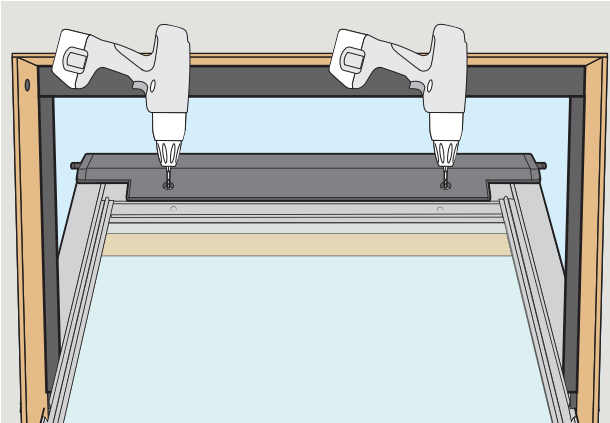
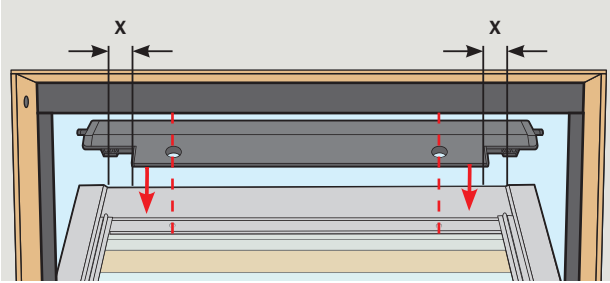
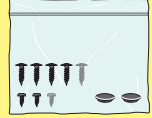
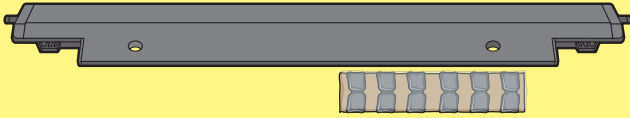
5



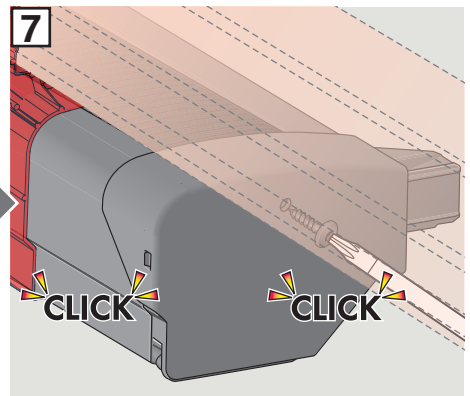
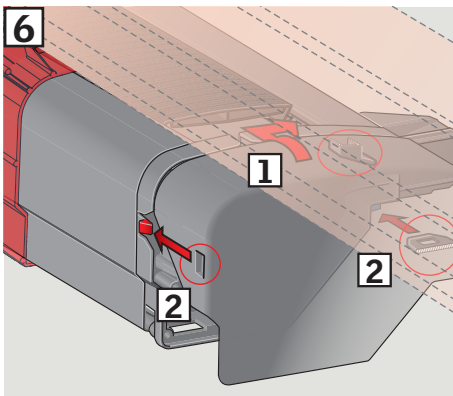
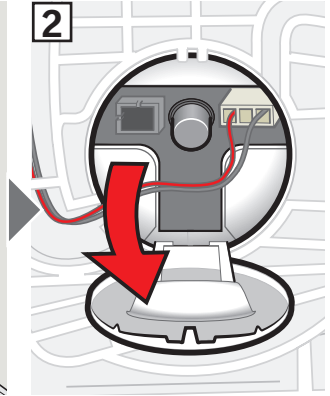
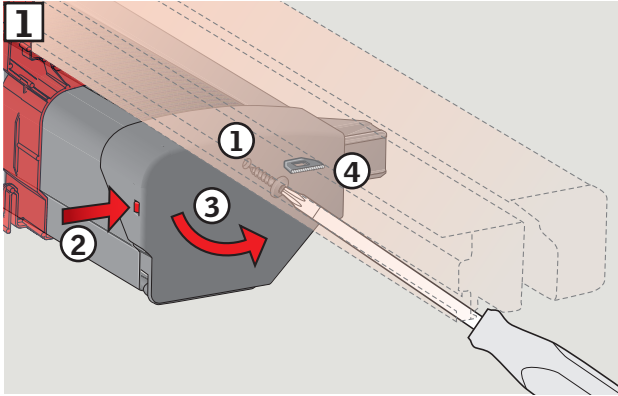
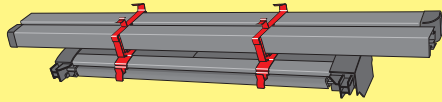
6

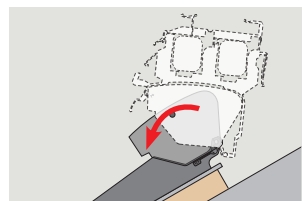
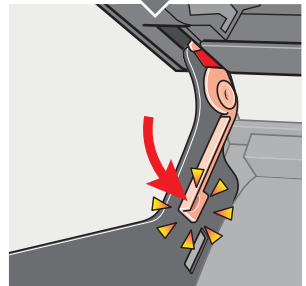
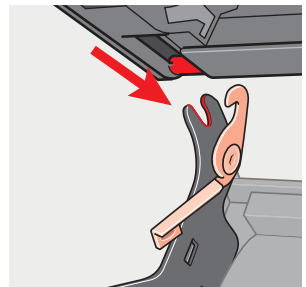
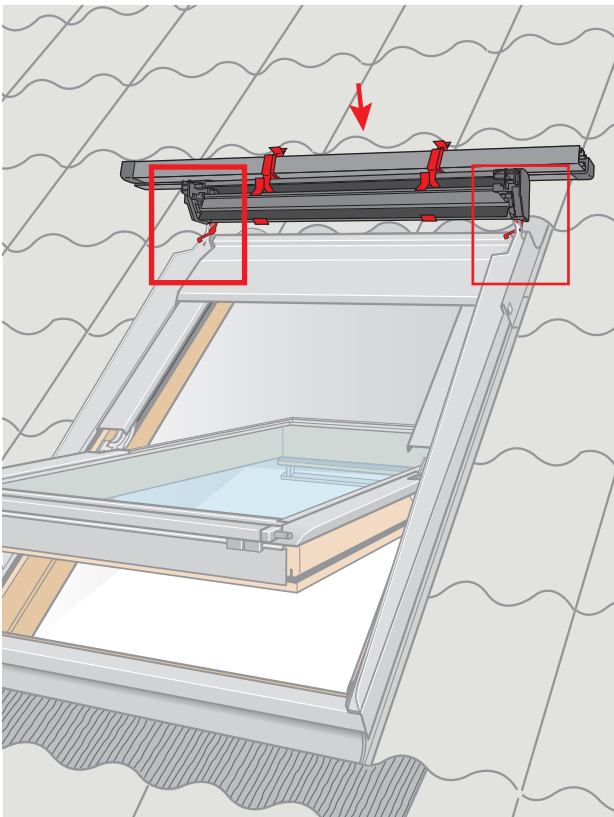
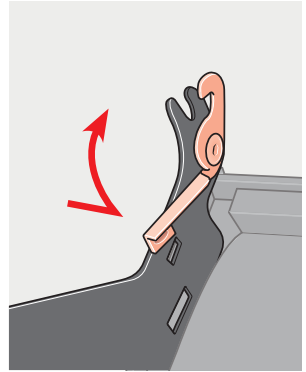
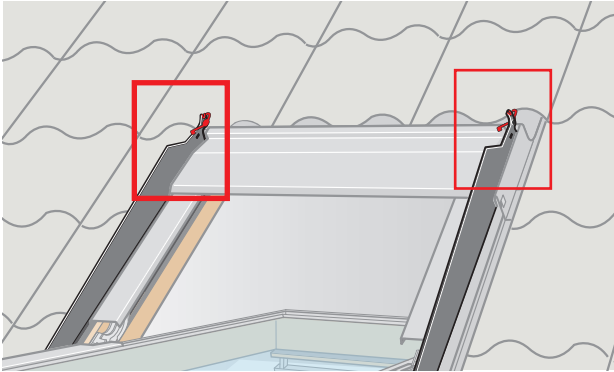
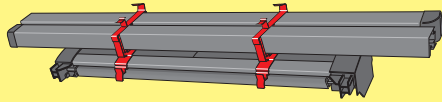


7

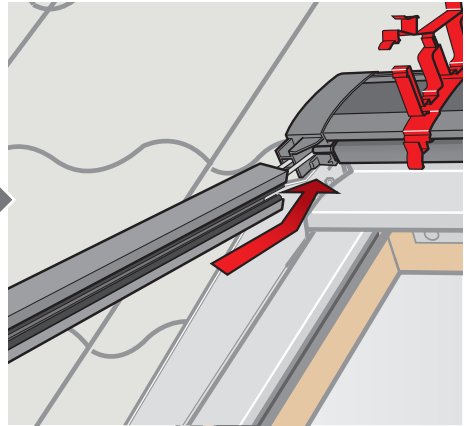
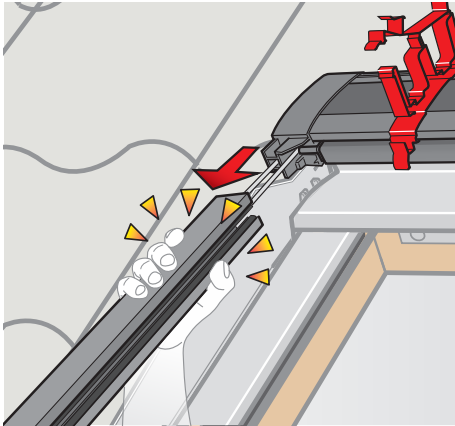
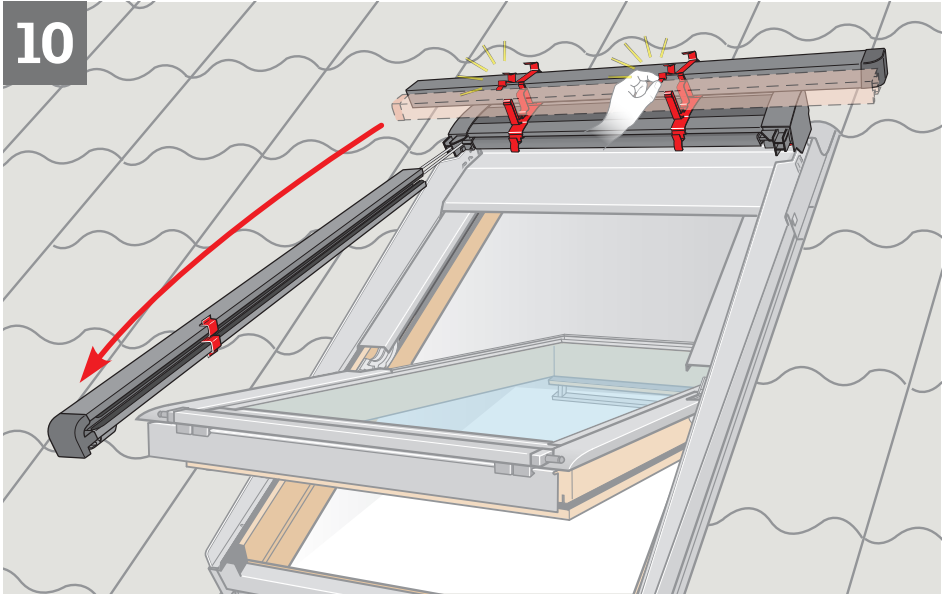


8

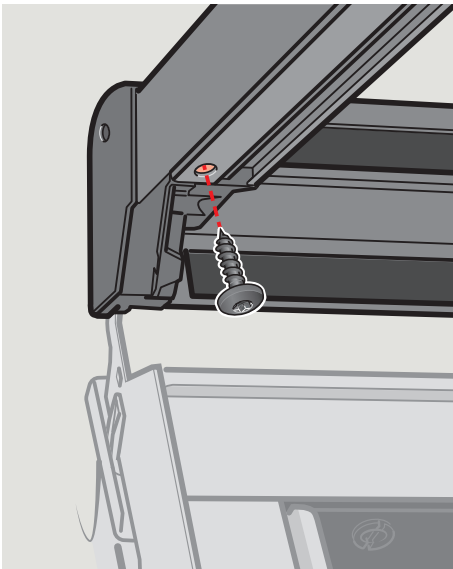
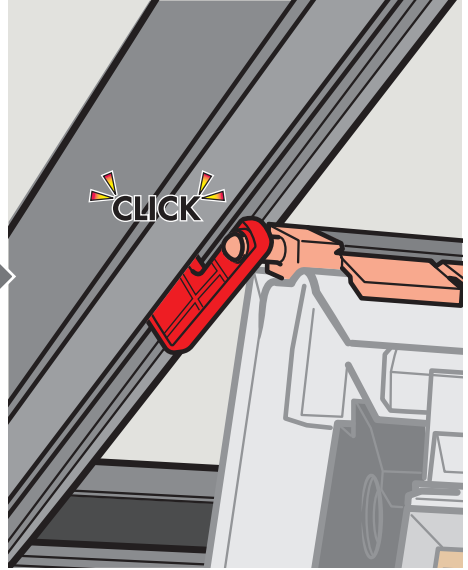
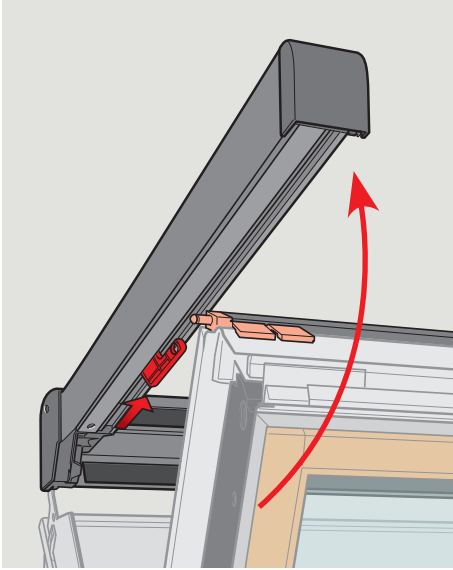
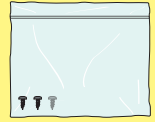




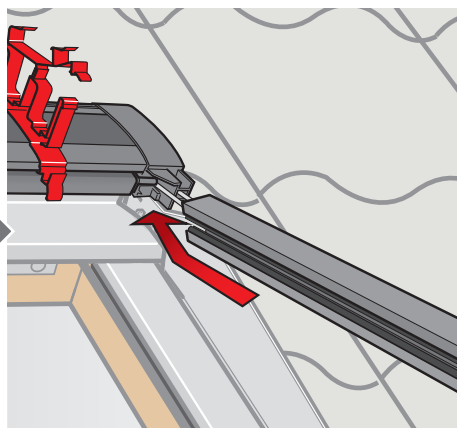
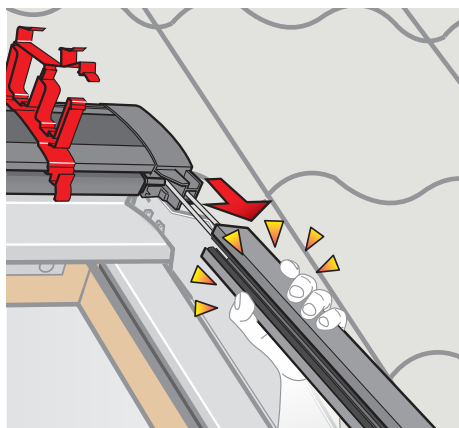
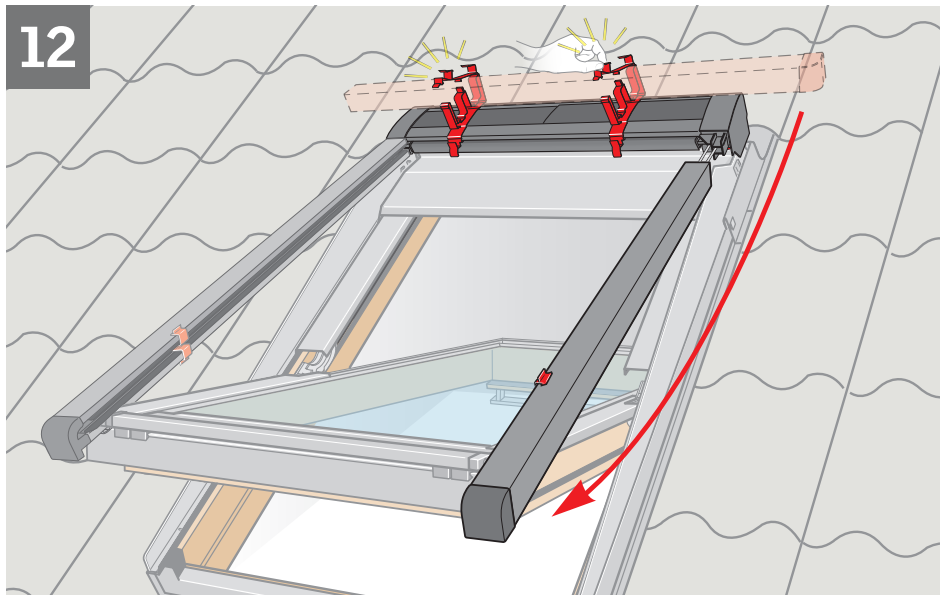
10



12 mm

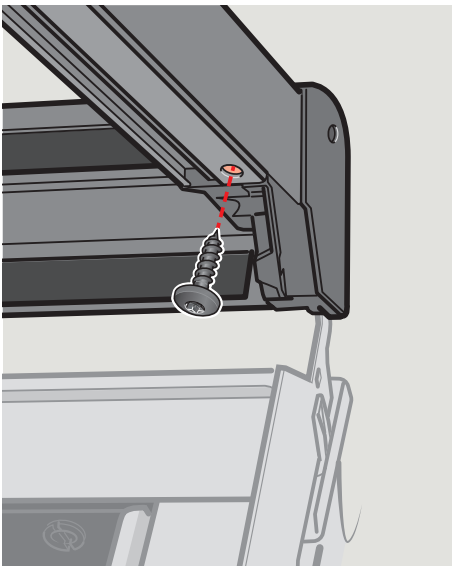
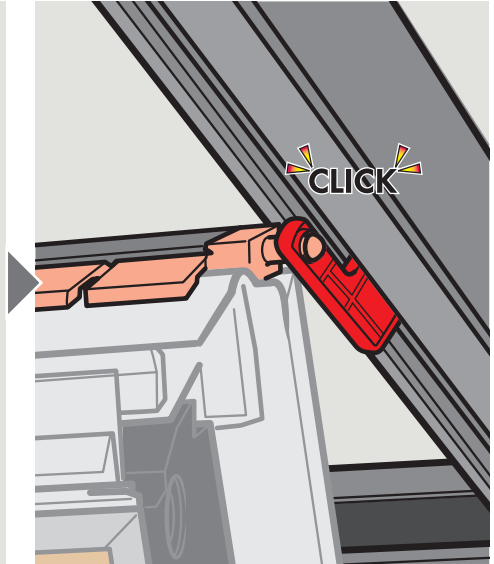
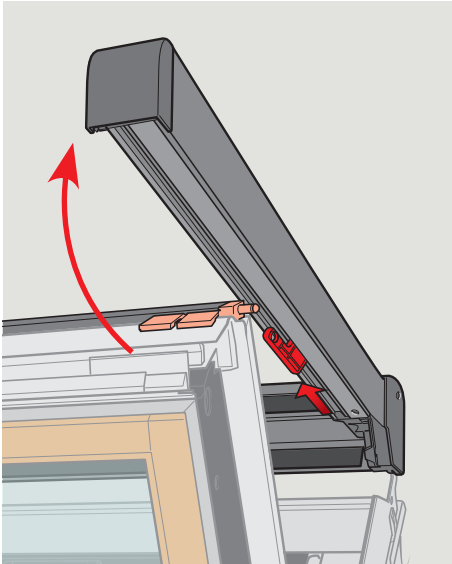
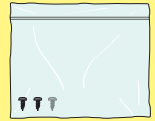


12

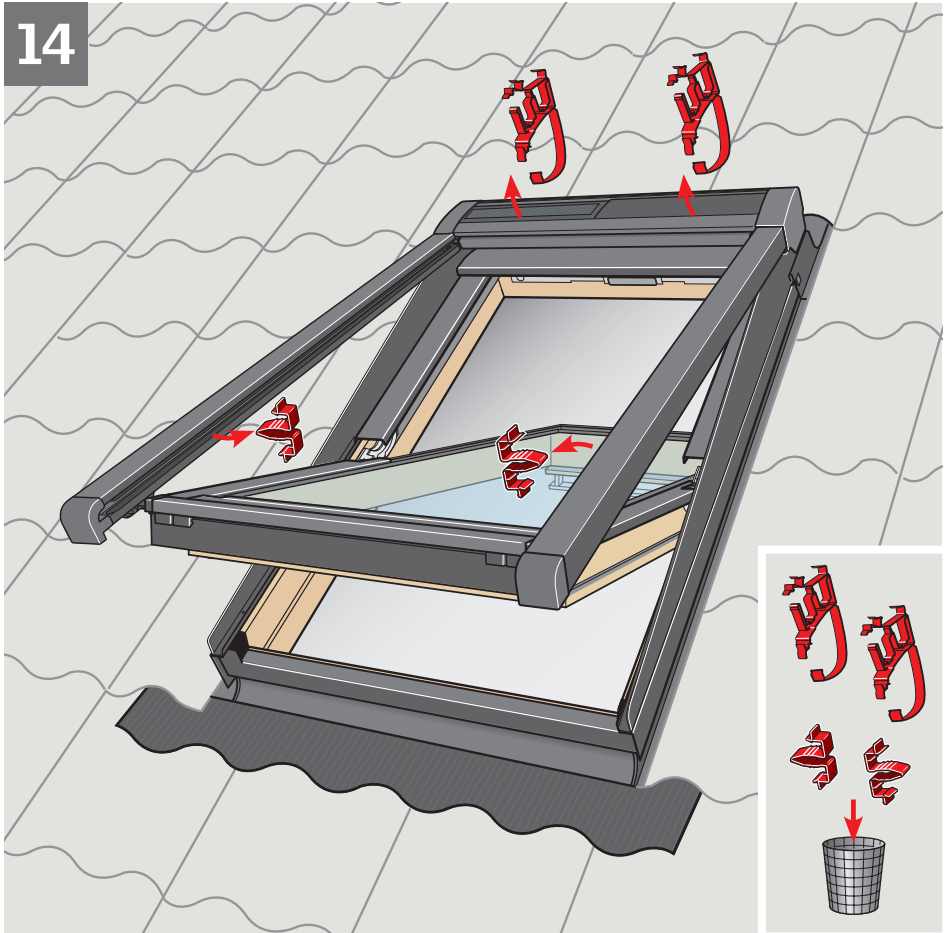


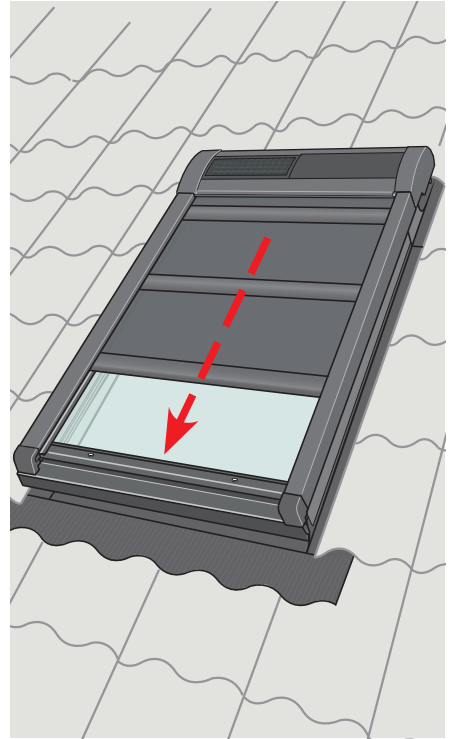
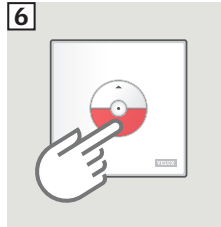
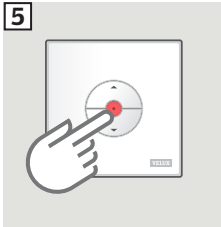
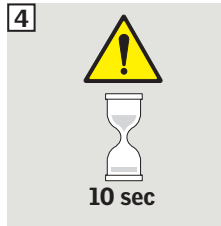
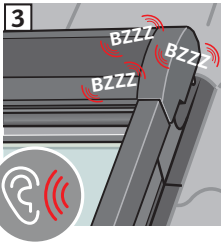
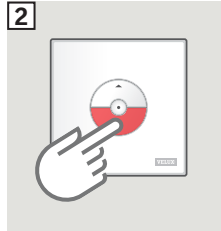
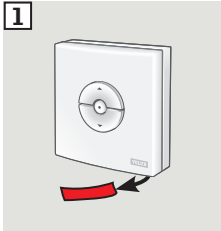
13

12 mm



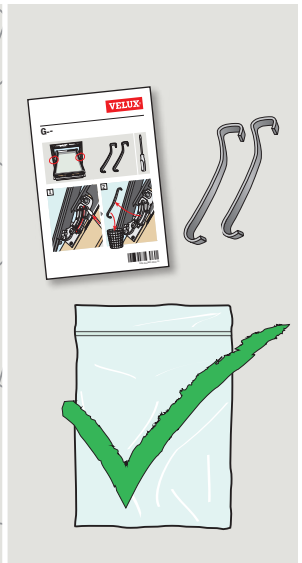
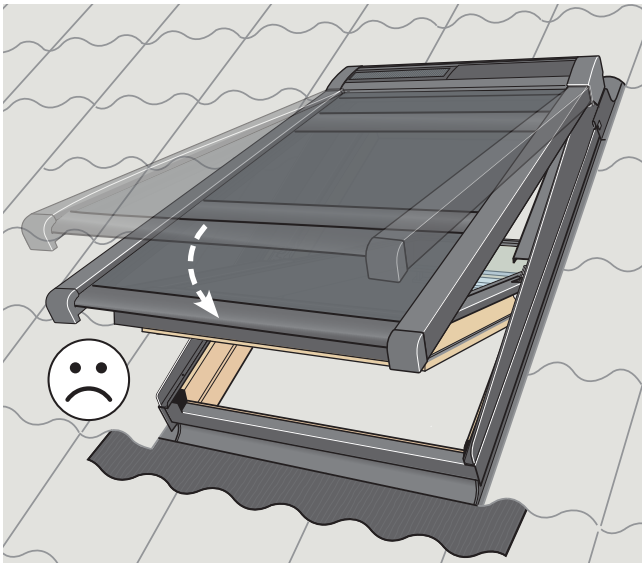
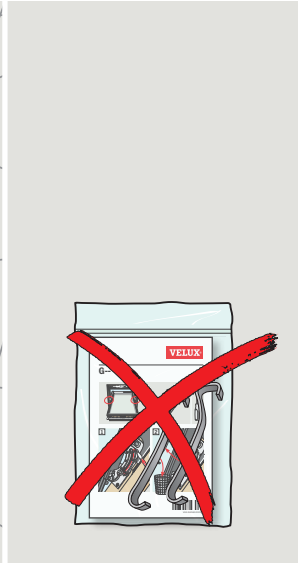
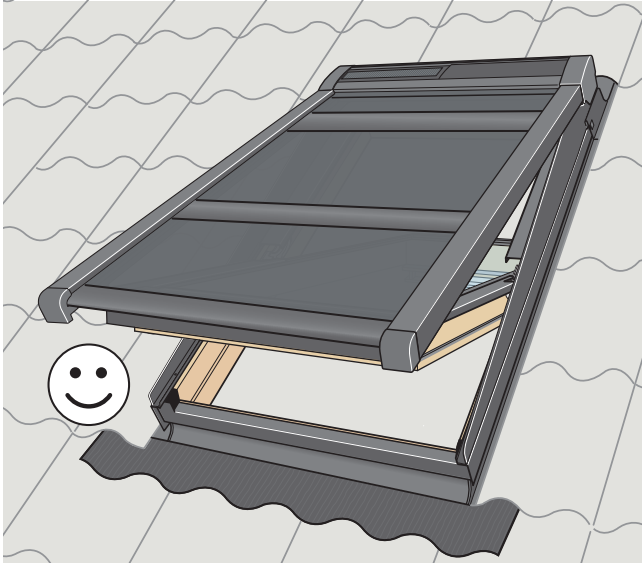
14



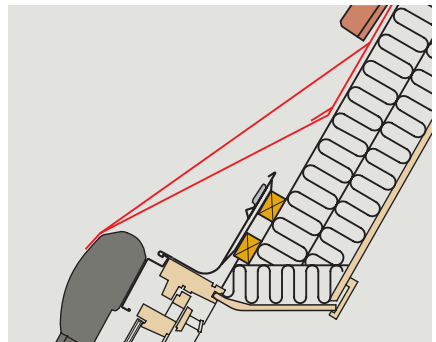
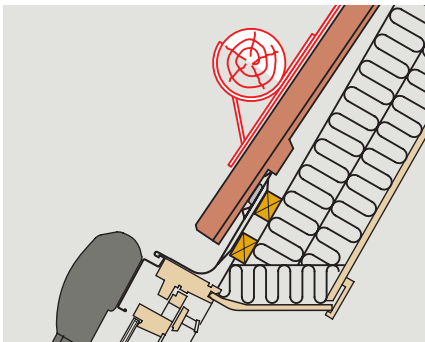
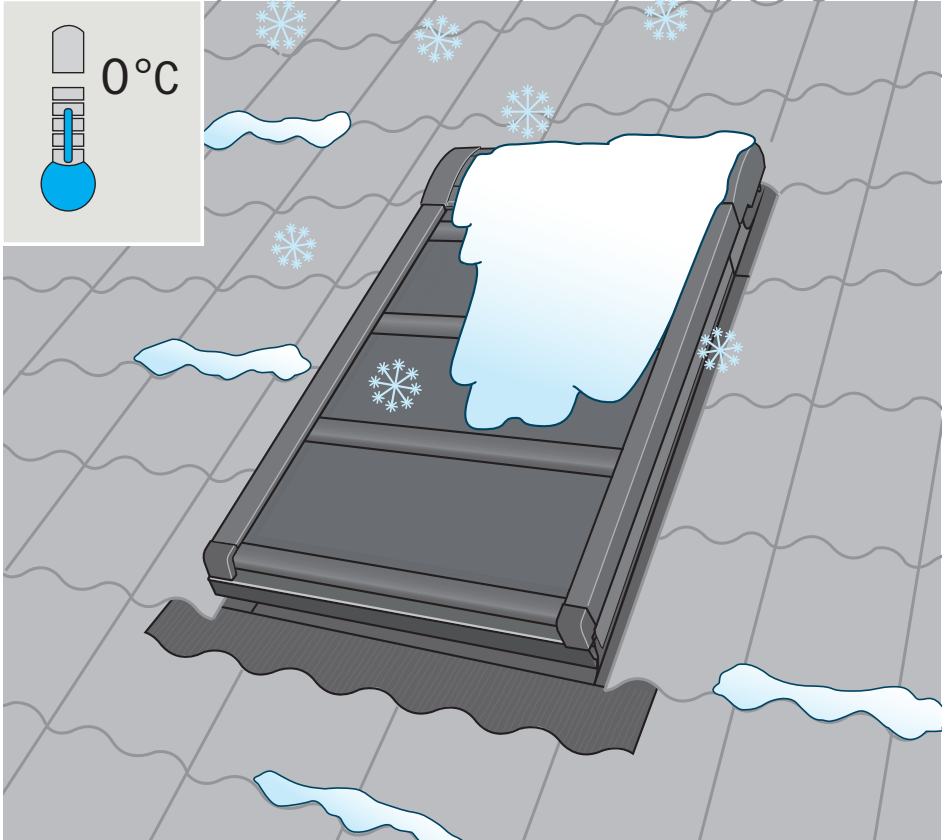
The image shows the VELUX INTEGRA control panel and its packaging. The packaging is a white box with the VELUX logo and the text 'VELUX INTEGRA' and 'NIE PRACUJE/NEJENÍ'. Below the box is a barcode.

www.velux.com/integrasupport

i



i



AR: VELUX Export (VELUX A/S) + 45 4516 7885	IE: VELUX Company Ltd. 01 848 8775
AT: VELUX Österreich GmbH 02245/32 3 50	IT: VELUX Italia s.p.a. 045/6173666
AU: VELUX Australia Pty. Ltd. 1300 859 856	JP: VELUX-Japan Ltd. 0570-00-8141
BA: VELUX Bosna i Hercegovina d.o.o. 033/626 493, 626 494	KR: VELUX Export (VELUX A/S) + 45 4516 7885
BE: VELUX Belgium (010) 42.09.09	LT: VELUX Lietuva, UAB (85) 270 91 01
BG: ВЕЛУКС България ЕООД 02/955 99 30	LV: VELUX Latvia SIA 67 27 77 33
BY: Унитарное предприятие "ВЕЛЮКС Мансардные Окна" (017) 329 20 89	NL: VELUX Nederland B.V. 030 - 6 629 629
CA: VELUX Canada Inc. 1 800 88-VELUX (888-3589)	NO: VELUX Norge AS 22 51 06 00
CH: VELUX Schweiz AG 062 289 44 45	NZ: VELUX New Zealand Ltd. 0800 650 445
CL: VELUX Export (VELUX A/S) + 45 4516 7885	PL: VELUX Polska Sp. z o.o. (022) 33 77 000 / 33 77 070
CN: VELUX (CHINA) CO. LTD. 0316-607 27 27	PT: VELUX Portugal, Lda 21 880 00 60
CZ: VELUX Česká republika, s.r.o. 531 015 511	RO: VELUX România S.R.L. 0268-402740
DE: VELUX Deutschland GmbH 040 / 54 70 70	RS: VELUX Srbija d.o.o. 011 20 57 500
DK: VELUX Danmark A/S 45 16 45 16	RU: ЗАО ВЕЛЮКС (495) 640 87 20
EE: VELUX Eesti OÜ 621 7790	SE: VELUX Svenska AB 042/20 83 80
ES: VELUX Spain, S.A.U. 91 509 71 00	SI: VELUX Slovenija d.o.o. 01 724 68 68
FI: VELUX Suomi Oy 0207 290 800	SK: VELUX Slovensko, s.r.o. (02) 33 000 555
FR: VELUX France 0806 80 15 15 Service gratuit + prix appel	TR: VELUX Çatı Pencereleri Ticaret Limited Şirketi 0 216 302 54 10
GB: VELUX Company Ltd. 01592 778 225	UA: ТОВ "ВЕЛЮКС Україна" (044) 2916070
HR: VELUX Hrvatska d.o.o. 01/5555 444	US: VELUX America LLC 1-800-88-VELUX
HU: VELUX Magyarország Kft. (06/1) 436-0601	