

WK THERM-S 8

Screwed-in anchor
with metal pin and short
expansion zone \varnothing 8 mm



ETAG 014 ABCDE

anchorage
depth of
only

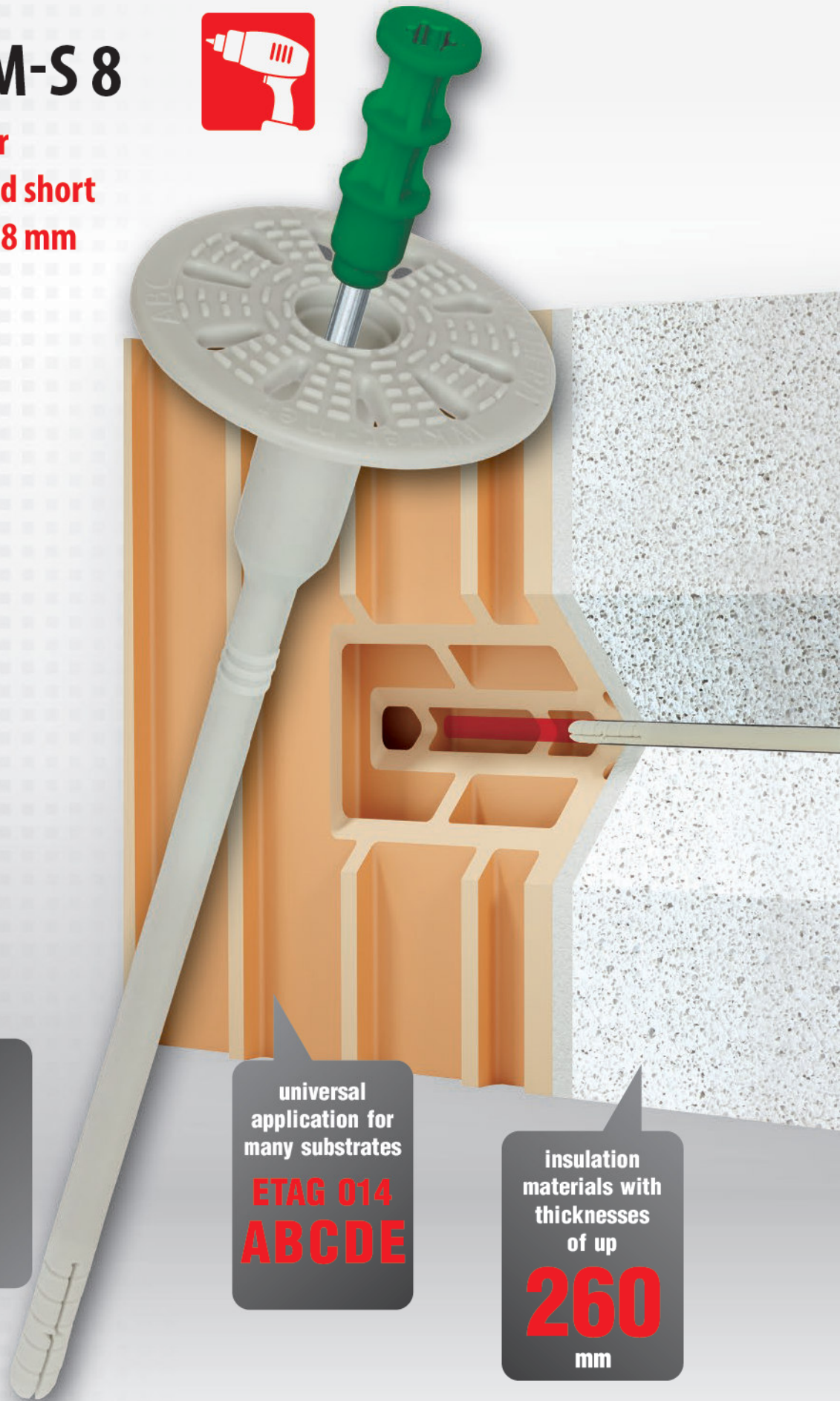
25
mm

universal
application for
many substrates

**ETAG 014
ABCDE**

insulation
materials with
thicknesses
of up

260
mm



FASTENERS FOR EXTERNAL THERMAL INSULATION SYSTEMS

FASTENERS WITH METAL PIN

Metal pin
with
25 mm nylon
head

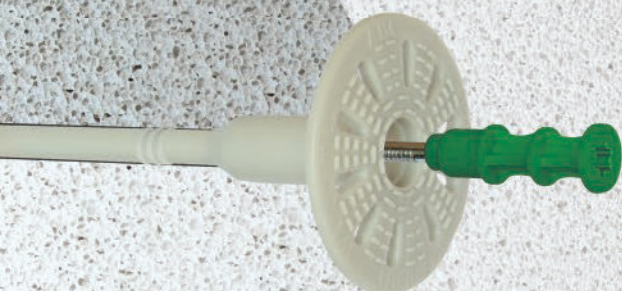
0,002
[W/K]

particularly recommended
for porous mineral
insulation materials where
hammer drive or
countersinking fasteners
cannot be used

watch video



wkręt-met.com/wktherm-s



screw-in
TORX 40

universal
application for
many thermal
insulation
materials



can be used
in stone
glued to
the insulation
layer

WK THERM-S 8

Screwed-in fastener with metal pin and short expansion zone



TX-40



Description

Universal screwed-in fastener for all substrates

Type of insulation material with which the fastener is to be used



Polystyrene foam EPS



Polystyrene foam EPS



Mineral wool

ETAG 014 use cat.

A	B	C	D	E
Concrete	Solid clay bricks, Calcium silicate	Porous blocks	Elements on LAC lightweight aggregate	Aerated concrete

Features and advantages of the product



Metal nail's head sealed in plastic

Very low point thermal transmittance (0.002W/K) enhances the heat transfer coefficient of the whole barrier and additionally protects the nail against corrosion



Screw-in fixing, TX-40

Screw-driven fastener recommended for use in brittle materials to avoid damaging of the substrate with a hammer. Screw-driven nail guarantees achieving best strength parameters and facilitates flush fitting of the fastener with the insulation material. These fasteners are real time-savers



Innovative design of the plug

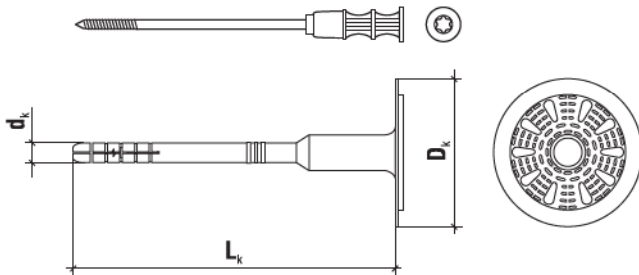
Large amount of pocket adhesives on the support washer increases the adhesiveness of the mortar. Greater stiffness of the support washer means better holding power of the material fixture



Short expansion zone, 8 mm diameter.

New expansion zone provides for maximum strength of the fastener with a minimum workload and maintaining low equipment outlays

WK THERM-S 8 Screwed-in fastener with metal pin and short expansion zone



Product marking

WK THERM-S	08	095	(200)
Fastener type	Diameter	Length	Number of pieces in a box

PRODUCT RANGE

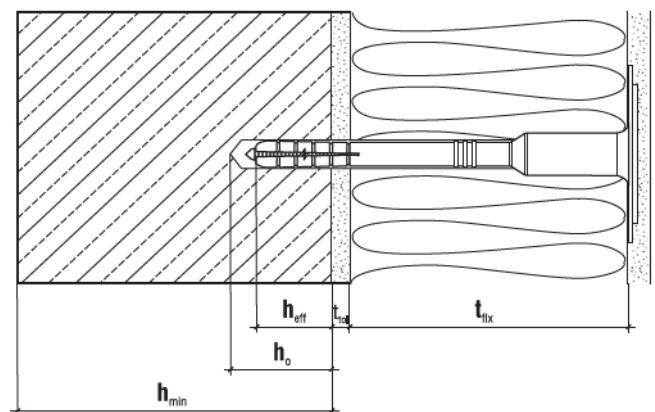
	Code	$d_k \times L_k$ [mm]	Insulation material thickness t_{fx} [mm]				Pcs
			New buildings		Old buildings		
			t_{tot} adhesive layer of 10 mm		t_{tot} adhesive layer of 10 mm + 20 mm of old plaster		
			without cutter	with cutter	without cutter	with cutter	
Ø8	WK THERM-S-08095(200)	8x95	60/20*	80/40*	40/-*	60/20*	200
	WK THERM-S-08115(200)	8x115	80/40*	100/60*	60/20*	80/40*	200
	WK THERM-S-08135(200)	8x135	100/60*	120/80*	80/40*	100/60*	200
	WK THERM-S-08155(200)	8x155	120/80*	140/100*	100/60*	120/80*	200
	WK THERM-S-08175(200)	8x175	140/100*	160/120*	120/80*	140/100*	200
	WK THERM-S-08195(200)	8x195	160/120*	180/140*	140/100*	160/120*	200
	WK THERM-S-08215(100)	8x215	180/140*	200/160*	160/120*	180/140*	100
	WK THERM-S-08235(100)	8x235	200/160*	220/180*	180/140*	200/160*	100
	WK THERM-S-08255(100)	8x255	220/180*	240/200*	200/160*	220/180*	100
	WK THERM-S-08275(100)	8x275	240/200*	260/220*	220/180*	240/200*	100
WK THERM-S-08295(100)	8x295	260/220*	280/240*	240/200*	260/220*	100	

* - ETAG 014, use category E (aerated concrete)

TECHNICAL DATA

Parameter	Unit	Value
Plug diameter	d_k [mm]	8
Washer diameter	D_k [mm]	60
Anchorage depth	h_{eff} [mm]	25/65*
Drilled hole depth	h_o [mm]	35/75*
Thermal conductivity	χ [W/K]	0.002
Washer stiffness	S [kN/mm]	0.60
Use categories	-	A B C D E
Plug material	-	PE
Pin material	-	Carbon steel, nylon + GF coated head
European Technical Approval	-	ETA-13/0724

* - ETAG 014, use category E (aerated concrete)



WK THERM-S 8 Screwed-in fastener with metal pin and short expansion zone

RESISTANCE

ETAG 014 use cat.	Substrate	Density [kg/dm ³]	Characteristic pull-out resistance
A	Concrete C12/15	≥ 1.80	1.20
A	Concrete >C16/20	≥ 2.30	1.50
B	Solid clay bricks	≥ 2.00	1.50
B	Calcium silica solid brick	≥ 2.00	1.50
C	Calcium silicate hollow blocks	≥ 1.60	0.90
C	Perforated solid brick	≥ 1.20	0.75
D	Lightweight concrete blocks LAC	≥ 1.05	0.90
E	Autoclaved aerate concrete AAC2	≥ 0.35	0.60
E	Autoclaved aerate concrete AAC7	≥ 0.65	1.20

Partial safety factor for anchor resistance $\gamma_m = 2$ (valid in absence of national regulations)

INSTALLATION DATA

Fastener type	WK THERM-S 8
Min. base material thickness h_{min} [mm]	100
Minimum anchor spacing L_{os} [mm]	100
Minimum edge distance C_{min} [mm]	100

WK THERM-S 8

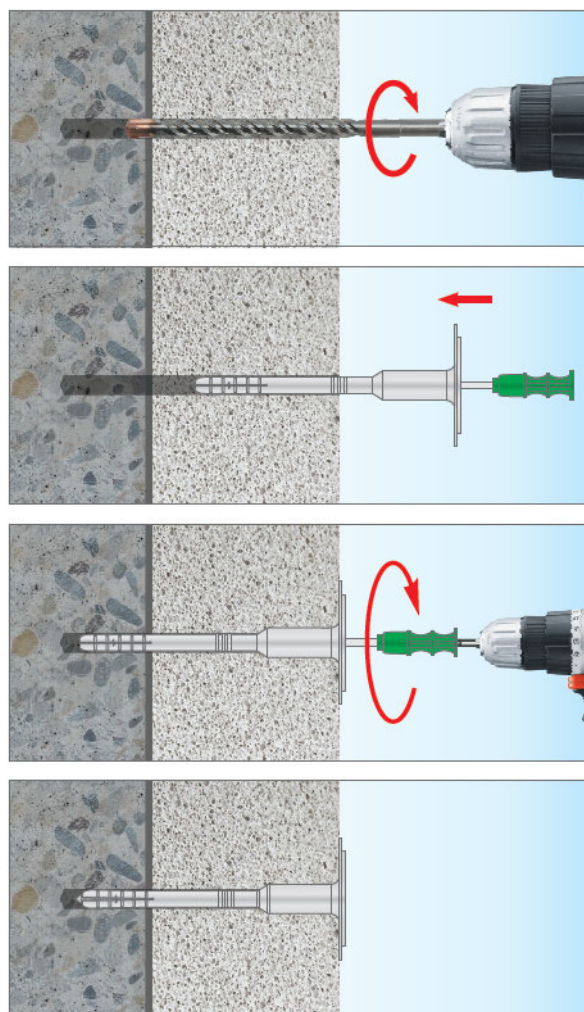
PULL-TROUGH TEST INSULATION SAMPLE [kN]

R panel	EPS 035/60 mm	EPS 040/60 mm
	0.47 [kN]	0.47 [kN]

Installation spot visible - an example of a typical application of screw-in WK THERM-S fixing in Multipor insulation material



Installation spot visible



INSTALLATION ACCESSORIES

Plastic cutter for cutting holes in polystyrene

WK-FT

diameter \varnothing 66.7 mm

Specifications:

- Plastic cutter for cutting holes in polystyrene insulation material for insertion of polystyrene disc
- Controlled cutting depth flange collar

Polystyrene disc (white, graphite)

KS, KSG

dimension \varnothing 67 x 17 mm

Specifications:

- Polystyrene disc (white, graphite) for covering up work holes in polystyrene - installation spot covered up; to be used with anchors see Table no. 3 page 22

Support washer

TDX-90, TDX-140

diameters \varnothing 90 mm, \varnothing 140 mm

Specifications:

- Support plate with diameter of 90 mm for final securing touches in installation of mineral wool (including Lamella), to be used with anchors see Table no. 3 page 22
- Fibreglass reinforced plastic
- Support plate with diameter of 140 mm for final securing touches in installation of mineral wool (including Lamella), to be used with anchors see Table no. 3 page 22
- Fibreglass reinforced plastic



Installation spot covered up with a polystyrene disc

