

## EC560\_10D

### EC Radial Plug Fan

## Description

Ec motor powered backward-curved centrifugal fan with 560 mm diameter, with maximum air volume up to 19500 m<sup>3</sup>/h and static pressure up to 1500Pa.

This external rotor has a compact structure, operates reliably and is both energy saving and efficient.

It is designed with low noise, a long service life, and is easy to install.

This product also meeting ErP energy efficiency requirements, it is easier to control the fan with a progressive control 0-10v and flexibly meet customers control requirements.

## Construction

### IMPELLER/MOTOR

Rotor material: aluminum

Impeller material: sheet aluminum

Ingress protection: IP54

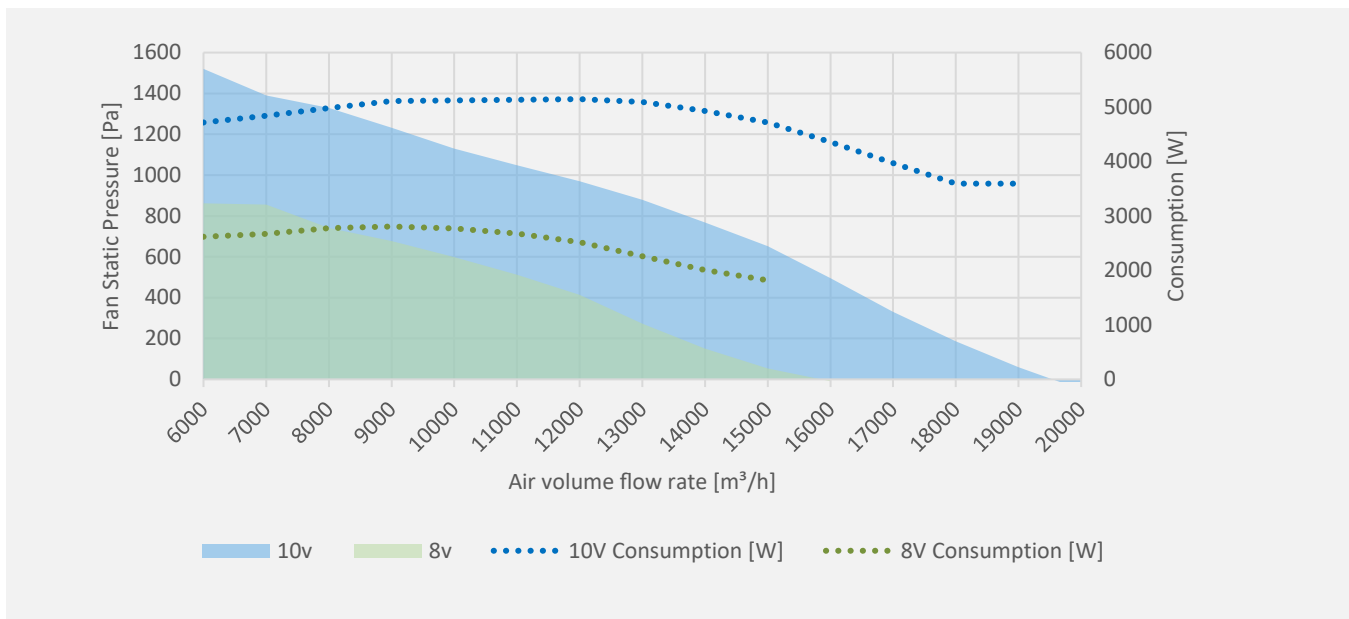
Insulation Class: F

Bearing maintenance: maintenance free

### MOTOR SUPPORT

Material: galvanized steel painted

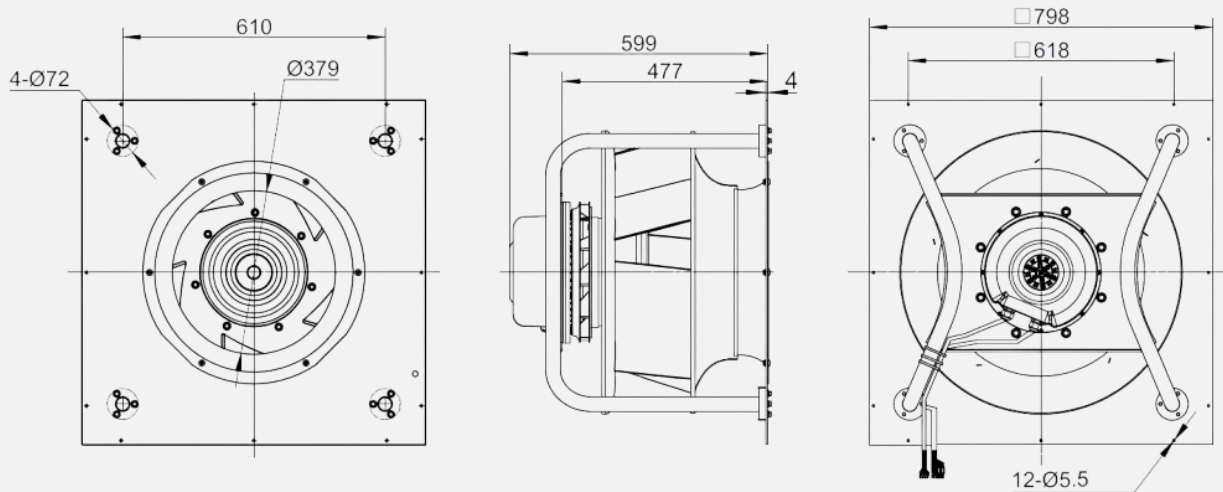
# Performance



# Nominal Data

<b>Model No.</b>	<b>EC560_10D</b>	
<b>Voltage</b>	VAC	400
<b>Frequency</b>	Hz	50/60
<b>Speed</b>	RPM	1750
<b>Input Power</b>	W	5150
<b>Current</b>	A	8,1
<b>Working Temp.</b>	Min/Max(°C)	-25/+50
<b>Noise</b>	dB (A)	84 measured at 1,0m from inlet side
<b>Control Methods</b>	V.DC	0-10V
<b>Power Output</b>	V.DC	+10V
<b>Life</b>	Hr	≥ 40000
<b>Protection Function</b>	Over Temperature	
	Over Current	
	Locked Rotor Protection	
	Lack Voltage Protection	
	Over Voltage Protection	

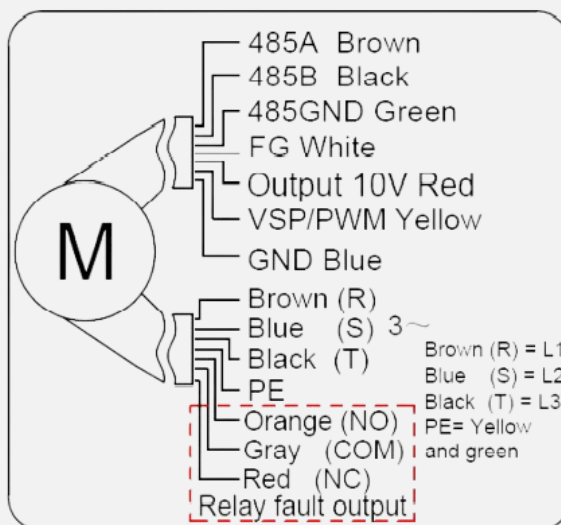
# Dimensions



DIMENSIONS [MM]

# Connection

Model No.		Signal	Input	Color
EC560_10D	Power Input	L1	AC380-480v 50Hz-60Hz	Brown (R)
		L2	AC380-480v 50Hz-60Hz	Blue (S)
		L3	AC380-480v 50Hz-60Hz	Black (T)
		PE	EARTH	Yellow/Green
	Control Speed	GND	GND	Blue
		Vsp	0-10V/PWM	Yellow
		Vcc	+10V.DC	Red
	Protocol	Modbus RTU	485A	Brown
			485B	Black
			485GND	Green



# AIRWIDE

AIR QUALITY SYSTEMS