

## EC500

### Backward Curved Centrifugal Fan

## Description

Ec motor powered backward-curved centrifugal fan with 500 mm diameter, with maximum air volume up to 8500 m<sup>3</sup>/h and static pressure up to 590 Pa.

This external rotor has a compact structure, operates reliably and is both energy saving and efficient.

It is designed with low noise, a long service life, and is easy to install.

This product also meeting ErP energy efficiency requirements, it is easier to control the fan with a progressive control 0-10v and flexibly meet customers control requirements.

## Construction

### IMPELLER/MOTOR

Rotor material: carbon steel

Impeller material: aluminum alloy

Ingress protection: IP54

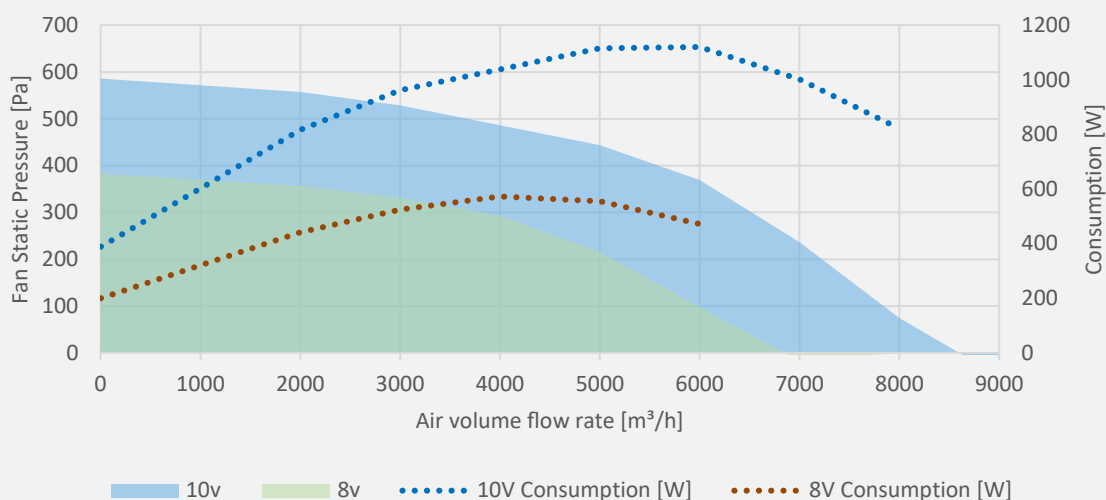
Insulation Class: F

Bearing maintenance: maintenance free

### MOTOR SUPPORT

Material: galvanized steel painted

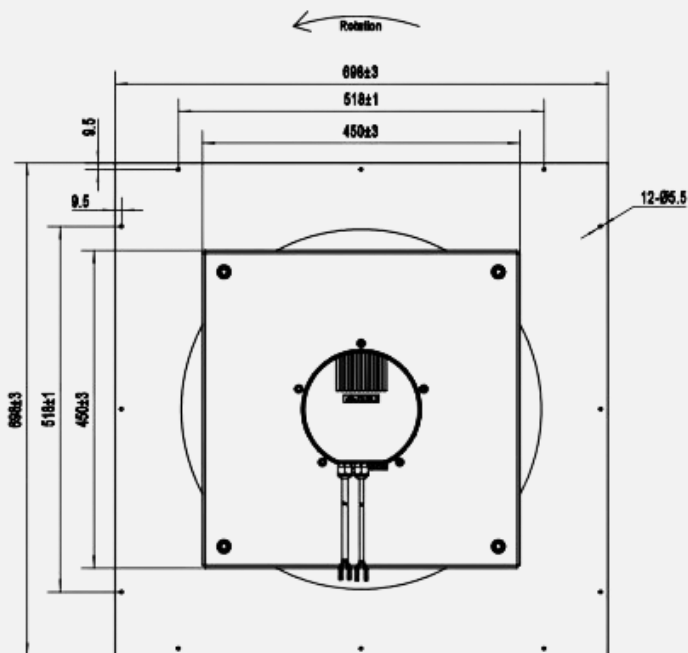
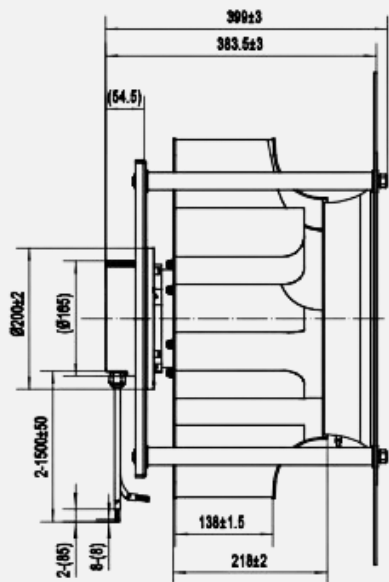
# Performance



# Nominal Data

Model No.	EC500	
Voltage	VAC	3~380
Frequency	Hz	50/60
Speed	RPM	1250 ± 10%
Input Power	W	750 ± 16%
Current	A	1,25 ± 16%
Working Temp.	Min/Max(°C)	-20/+60
Noise	dB (A)	≤ 75
Control Methods	V.DC	0-10V
Power Output	V.DC	+10V
Life	Hr	≥ 40000
Protection Function	Over Temperature	
	Over Current	
	Locked Rotor Protection	
	Lack Voltage Protection	
	Over Voltage Protection	

# Dimensions

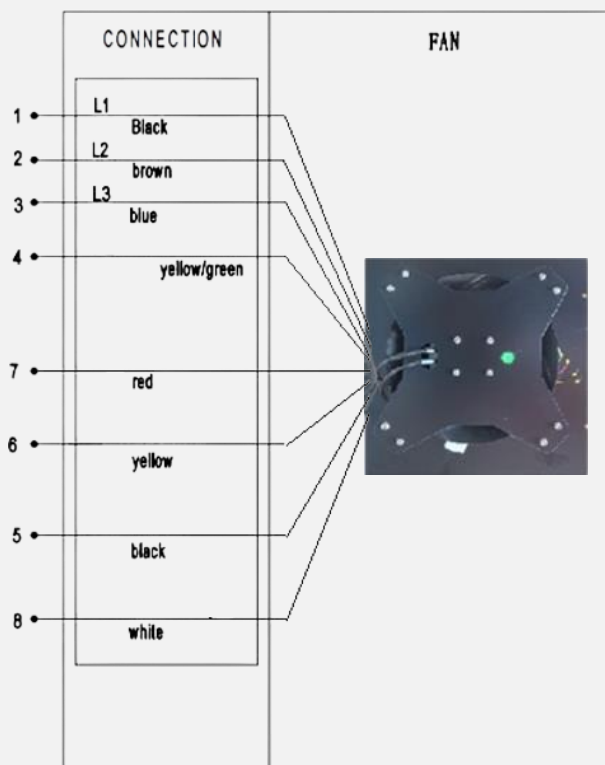


WEIGHT 29,3Kg

DIMENSIONS [MM]

# Connection

Model No.	Number	Signal	Input	Color
EC500	1	L1	AC380v/50Hz-60Hz	Black
	2	L2	AC380v/50Hz-60Hz	Brown
	3	L3	AC380v/50Hz-60Hz	Blue
	4	PE	EARTH	Yellow/Green
	5	GND	GND	Black
	6	Vsp	0-10V/PWM	Yellow
	7	Vcc	10V	Red
	8	FG	Pulse/R	White



# AIRWIDE

AIR QUALITY SYSTEMS