

EC450

EC Radial plug fan

Description

Ec motor powered backward-curved centrifugal fan with 450mm diameter, with maximum air volume up to 10600 m³/h and static pressure up to 1300 Pa.

This external rotor has a compact structure, operates reliably and is both energy saving and efficient.

It is designed with low noise, a long service life, and is easy to install.

This product also meeting ErP energy efficiency requirements, it is easier to control the fan with a progressive control 0-10v and flexibly meet customers control requirements.

Construction

IMPELLER/MOTOR

Rotor material: aluminum

Impeller material: sheet aluminum

Ingress protection: IP54

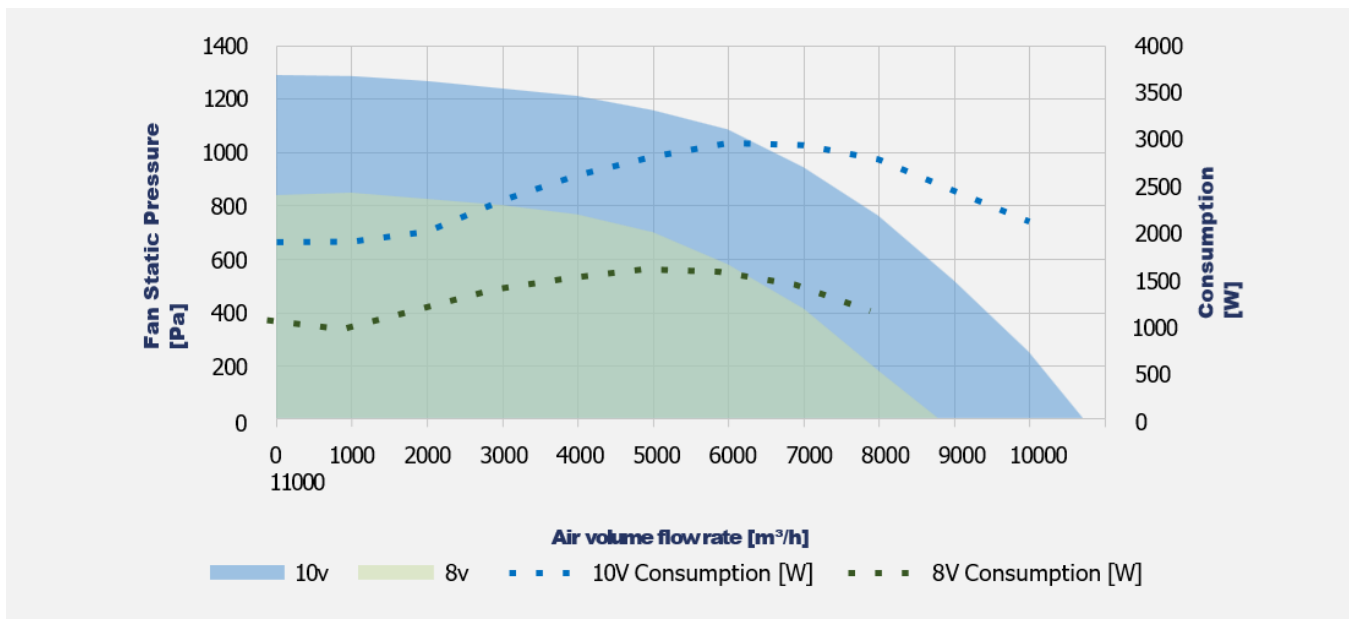
Insulation Class: F

Bearing maintenance: maintenance free

MOTOR SUPPORT

Material: galvanized steel painted

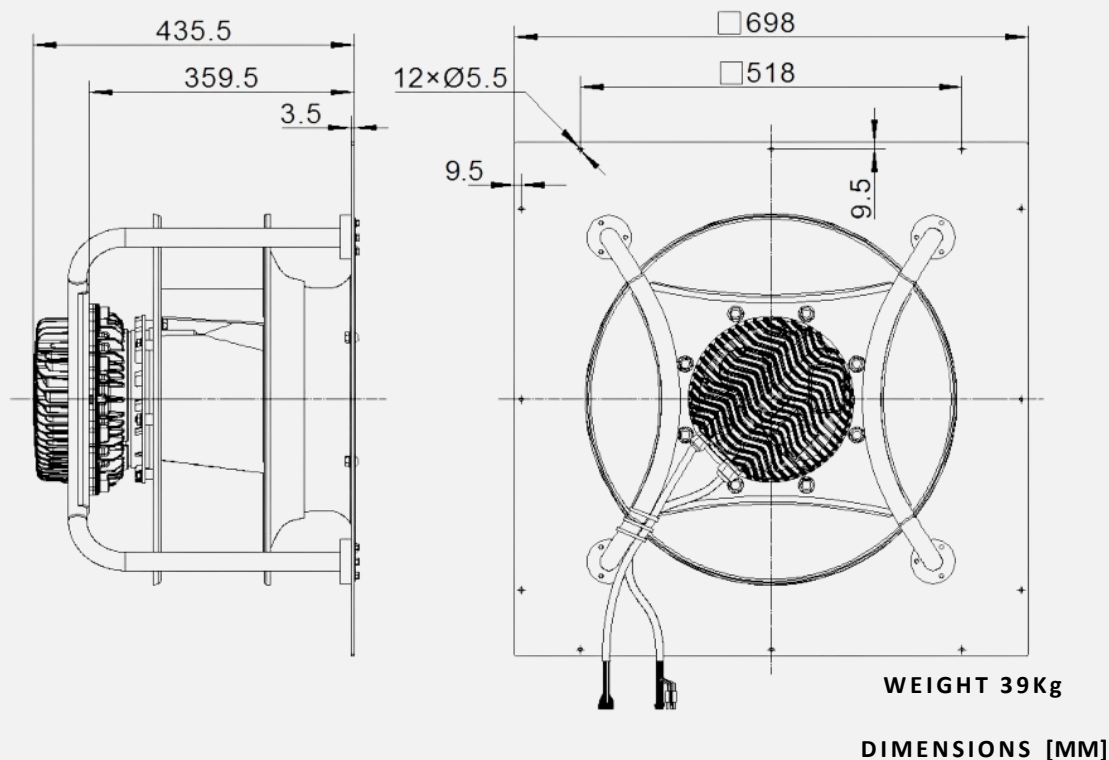
Performance



Nominal Data

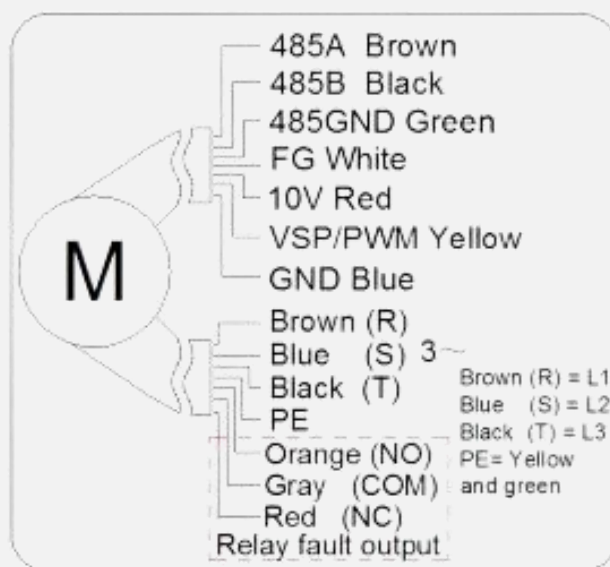
Model No.	E C 4 5 0	
Voltage	VAC	400
Frequency	Hz	50/60
Speed	RPM	2150
Input Power	W	2950
Current	A	4,5
Working Temp.	Min/Max(°C)	-20/+50
Noise	dB (A)	83 measured at 1,0m from inlet side
Control Methods	V.DC	0-10V
Power Output	V.DC	+10V
Life	Hr	≥ 40000
Protection Function	Over Temperature	
	Over Current	
	Locked Rotor Protection	
	Lack Voltage Protection	
	Over Voltage Protection	

Dimensions



Connection

Model No.		Signal	Input	Color
EC450	Power Input	L1	AC380-480v 50Hz-60Hz	Brown
		L2	AC380-480v 50Hz-60Hz	Blue
		L3	AC380-480v 50Hz-60Hz	Black
		PE	EARTH	Yellow/Green
	Control Speed	GND	GND	Blue
		Vsp	0-10V/PWM	Yellow
		Vcc	+10V.DC	Red
	Protocol	Modbus RTU	485A	Brown
			485B	Black
			485GND	Green



AIRWIDE

AIR QUALITY SYSTEMS