

EC175

Backward Curved Centrifugal Fan

Description

Ec motor powered backward-curved centrifugal fan with 175 mm diameter, with maximum air volume up to 900 m³/h and static pressure up to 700 Pa.

This external rotor has a compact structure, operates reliably and is both energy saving and efficient.

It is designed with low noise, a long service life, and is easy to install.

This product also meeting ErP energy efficiency requirements, it is easier to control the fan with a progressive control 0-10v and flexibly meet customers control requirements.

Construction

IMPELLER/MOTOR

Rotor material: carbon steel

Impeller material: plastic

Ingress protection: IP44

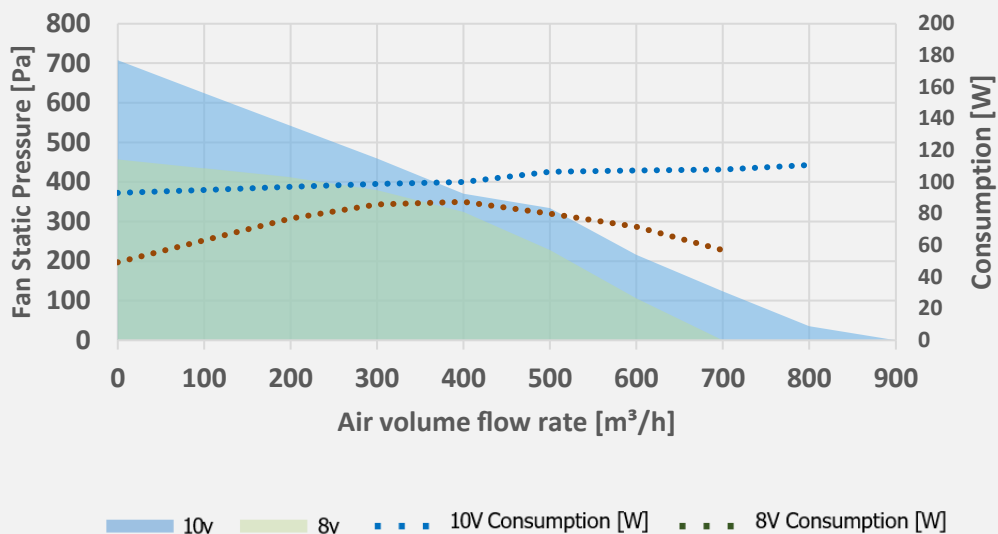
Insulation Class: F

Bearing maintenance: maintenance free

MOTOR SUPPORT

Material: galvanized steel painted

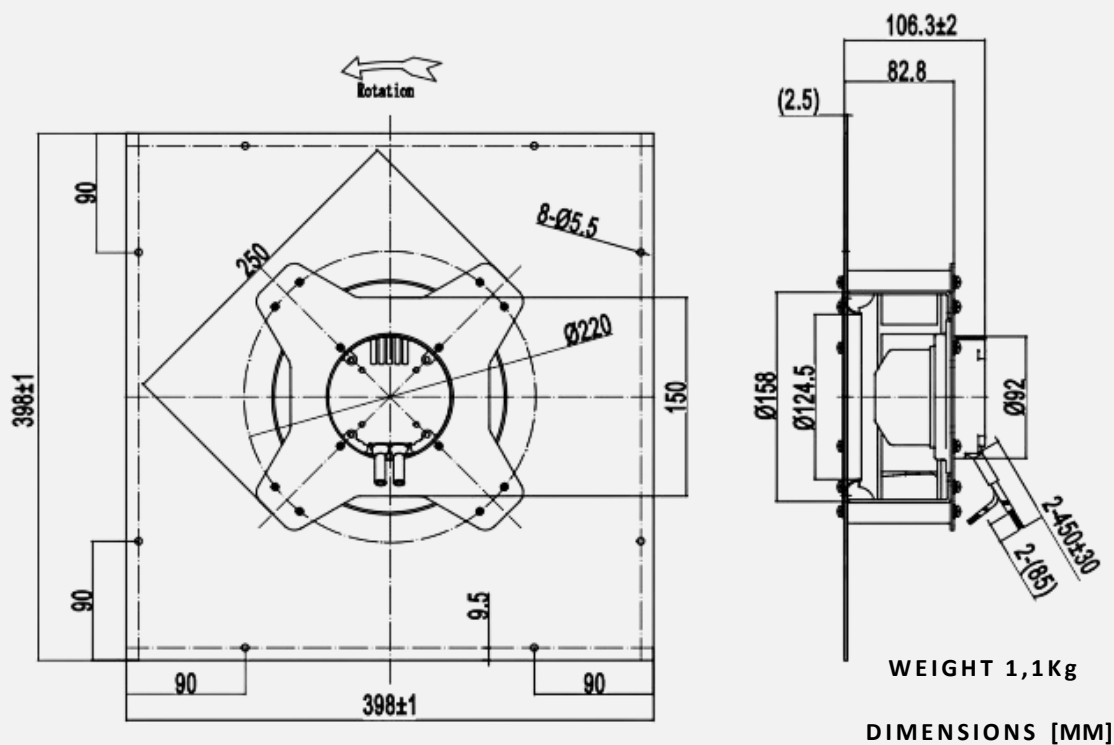
Performance



Nominal Data

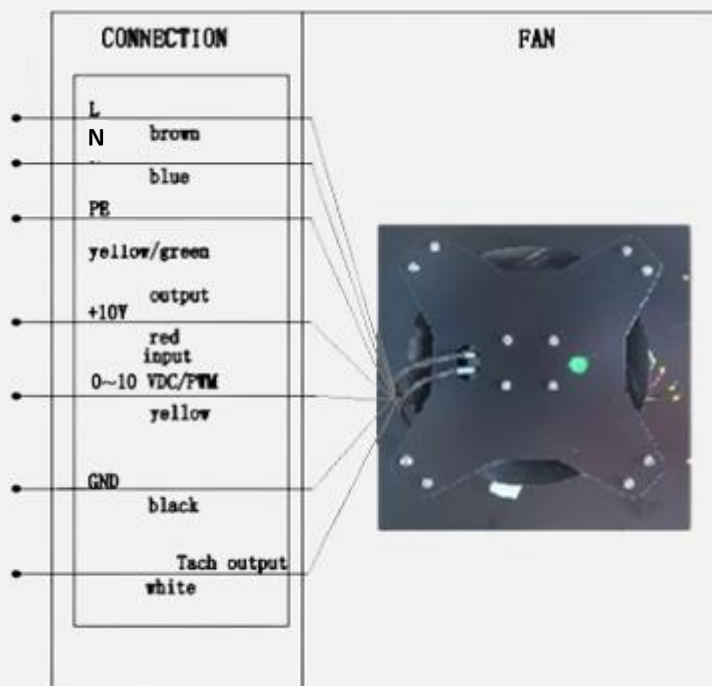
Model No.	EC175	
Voltage	VAC	1~220/230
Frequency	Hz	50/60
Speed	RPM	4500 ± 10%
Input Power	W	100 ± 16%
Current	A	0,78 ± 16%
Working Temp.	Min/Max(°C)	-20/+60
Noise	dB (A)	≤ 76
Control Methods	V.DC	0-10V
Power Output	V.DC	+10V
Life	Hr	≥ 40000
Protection Function	Over Temperature	
	Over Current	
	Locked Rotor Protection	
	Lack Voltage Protection	
	Over Voltage Protection	

Dimensions



Connection

Model No.	Number	Signal	Input	Color
EC175	1	L	AC220v 50Hz	Brown
	2	N	AC220v 50Hz	Blue
	3	PE	EARTH	Yellow Green
	5	GND	GND	Black
	6	Vsp	0-10V/PWM	Yellow
	7	Vcc	+10V.DC	Red
	8	FG	1 Pulse/R	White



AIRWIDE

AIR QUALITY SYSTEMS