

MICRO ADJUSTER

Owners Manual
Model #04550



61 Forest Plain Road
Oro-Medonte, Ontario
Canada L3V 0R4
Toll Free: 1-800-436-6799
Local: 705-726-8233
Fax: 705-327-0295
Email: jessem@jessem.com
Web: www.jessem.com



Thank you for choosing this product from JessEm Tool Company. We appreciate your support and hope that our product serves you well. This product is designed to provide many years of reliable service provided it is used as intended and taken care of.

This user manual will assist you in assembly and general operation of this product. It is not our intent to teach you about woodworking. It is assumed that you are an experienced woodworker with the basic skills and experience necessary to use this product safely. After reading the following instructions, if you are unsure or uncomfortable about safely using this product we urge you to seek additional information through widely available woodworking books or classes.

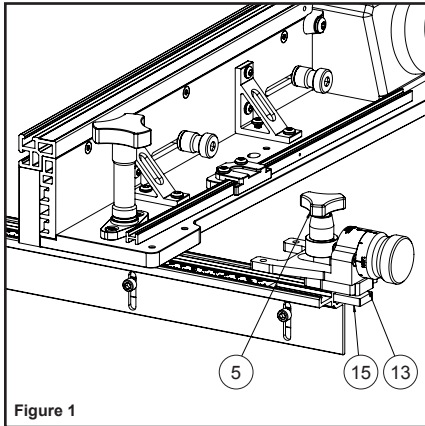
As part of our Continuous Product Improvement Policy, JessEm products are always advancing in design and function. Therefore there may be differences between what is shown in our catalogs, website or at retail display and what is sold at time of purchase. We reserve the right to make positive changes to our products at our discretion.



State of California: **WARNING**
Cancer and Reproductive Harm. www.P65Warnings.ca.gov

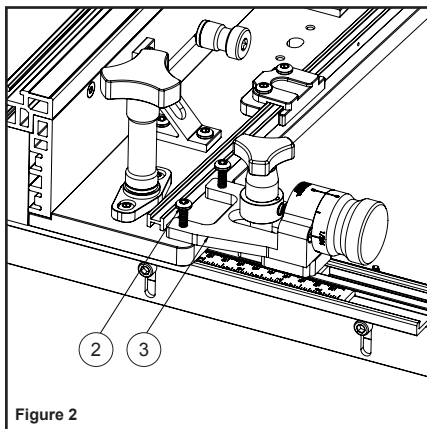
THE FOLLOWING INSTRUCTIONS ARE FOR MOUNTING THE #04550 MICRO ADJUSTER TO A JESSEM MAST-R-FENCE III

Step 1: Attaching to the track



- Loosen the clamping knob (part #5).
- Align the clamping T-nut (part #15) with the T-slot in your Mast-R-Fence III track. **See Figure 1.**
- Slide the clamping T-nut into the T-slot ensuring the spindle mount pivot mount (part #13) slides along the top of the track.

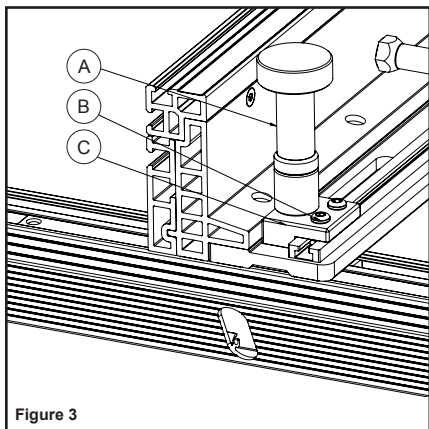
Step 2: Attaching to the fence



- a. Align the holes in the fence mount (part #3) with the pre-drilled holes in the Mast-R-Fence III. **See figure 2.**
- b. Tighten the (2) #10-24 X $\frac{3}{4}$ " pan head torx screws (part #2).

THE FOLLOWING INSTRUCTIONS ARE FOR MOUNTING THE #04550 MICRO ADJUSTER TO A JESSEM TA FENCE

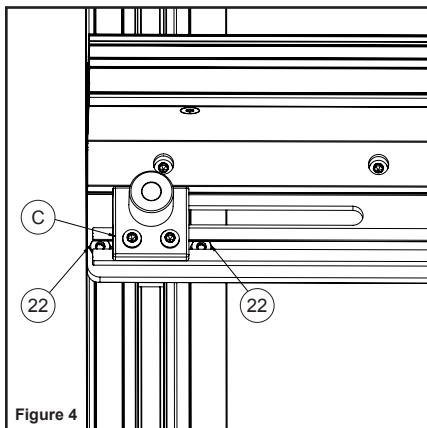
Step 3: Removing the clamping knob



- Remove the clamping knob (part A) from your TA Fence. HINT: Loosen then pull straight up to remove.
- Loosen the (2) #10-24 X 1/2" torx screws (part B) so the clamping knob mounting block (part C) can be removed from the TA Fence.

NOTE: Be sure **NOT** to lose the (2) hex nuts mounted in the slot of the TA Fence.

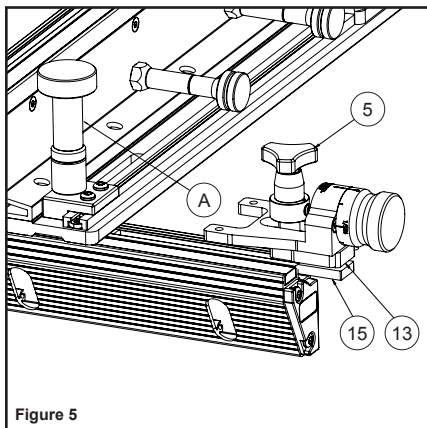
Step 4: Installing hex nuts



- a. Slide (1) of the #10-24 hex nuts (part #22) into the slot of your TA Fence.
- b. Slide the previously removed clamping knob mounting block (part C) with attached hex nuts back into the slot of the TA Fence.
- c. Slide the other hex nut (part #22) into the slot of the TA Fence. **See figure 4.**

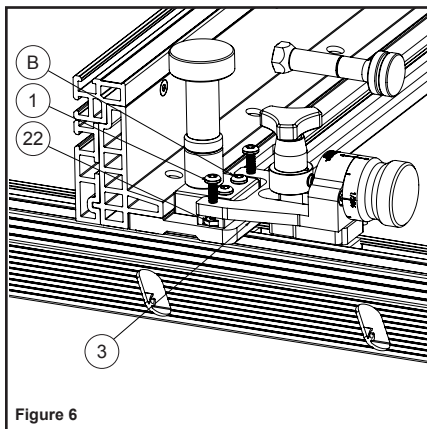
NOTE: DO NOT tighten the #10-24 X ½" torx screws (part B) until after the micro adjuster is mounted.

Step 5: Attaching to the track



- a. Reattach the TA Fence clamping knob (part A)
- b. Loosen the clamping knob (part #5).
- c. Align the clamping T-nut (part #15) with the T-slot in the track of your TA Fence. **See Figure 5.**
- d. Slide the clamping T-nut into the T-slot ensuring the spindle mount pivot mount (part #13) slides along the top of the track.

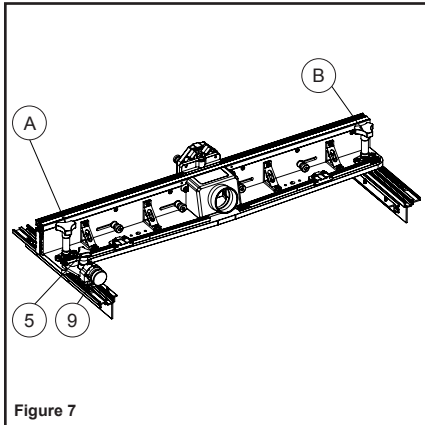
Step 6: Attaching to the fence



- a. Align the holes in the fence mount (part #3) with the hex nuts (part #22) inserted in the slot of the TA Fence.
- b. Tighten the (4) #10-24 X ½" pan head torx screws (parts #1 & B)

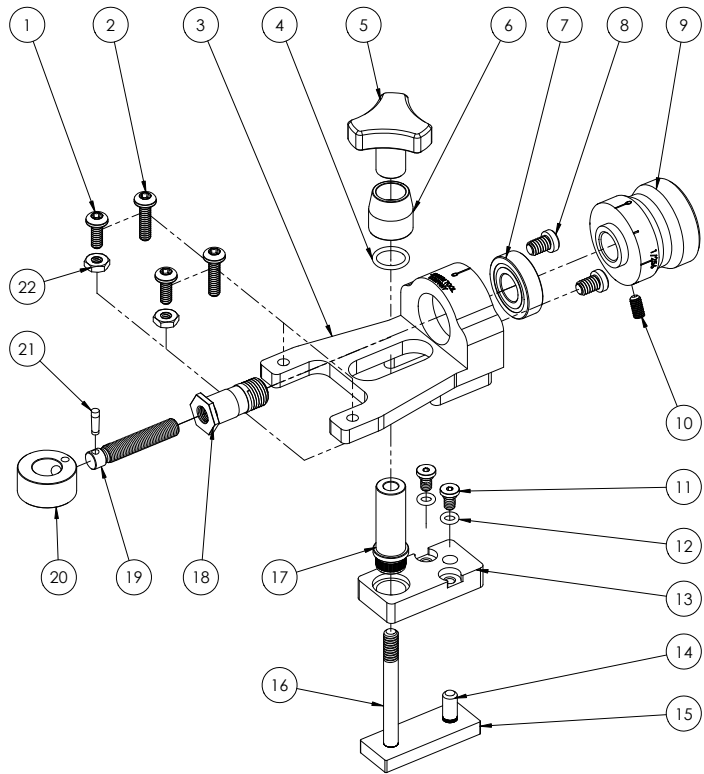
THE FOLLOWING INSTRUCTIONS ARE FOR OPERATING THE #04550 JESSEM MICRO ADJUSTER

Step 7: Operation of the Micro Adjuster



- a. Slide your fence to the approximate location for your desired cut.
- b. Tighten clamping knob (part B) and leave clamping knob (part A) loose.
- c. Tighten clamping knob (part #5).
- d. Use the adjustment knob (part #9) to dial the fence in to the exact desired location.

NOTE: 1 full revolution of the adjustment knob is $\frac{1}{64}$ " adjustment at the router bit.



MICRO ADJUSTER™ PARTS LIST			
Item No.	Part No.	Part Description	Qty
1	F0363	#10-24 X ½" Pan Head Torx Screw - FOR TA FENCE	2
2	F0364	#10-24 X ¾" Pan Head Torx Screw - FOR MAST-R-FENCE III	2
3	E0311-1	Fence Mount	1
4	F0121	#014 O-Ring	1
5	E0054-33	Clamping Knob	1
6	M0302-3	Spindle Mount Pivot Collar	1
7	F0097	R-8 Bearing	1
8	F0302	¼"-20 X ⅝" Low Head Socket Screw	2
9	E0054-32	Adjustment Knob	1
10	F0502	#10-32 X ⅝" Cup Point Set Screw	1
11	S0065-11	O-Ring Retaining Screw	2
12	F0432	#008 O-Ring	2
13	E0251-1	Spindle Mount Pivot Mount	1
14	S0076-3	T-Nut Locating Pin	1
15	S0014-6	Clamping T-Nut	1
16	S0076-2	Clamping Stud	1
17	S0061-20	Spindle Mount Pivot	1
18	S0031-14	Adjustment Nut	1
19	S0076-4	Spindle	1
20	S0054-10	Spindle Pivot Ring	1
21	S0079-2	Spindle Lock Pin	1
22	F0366	#10-24 Hex Nut - FOR TA FENCE	2