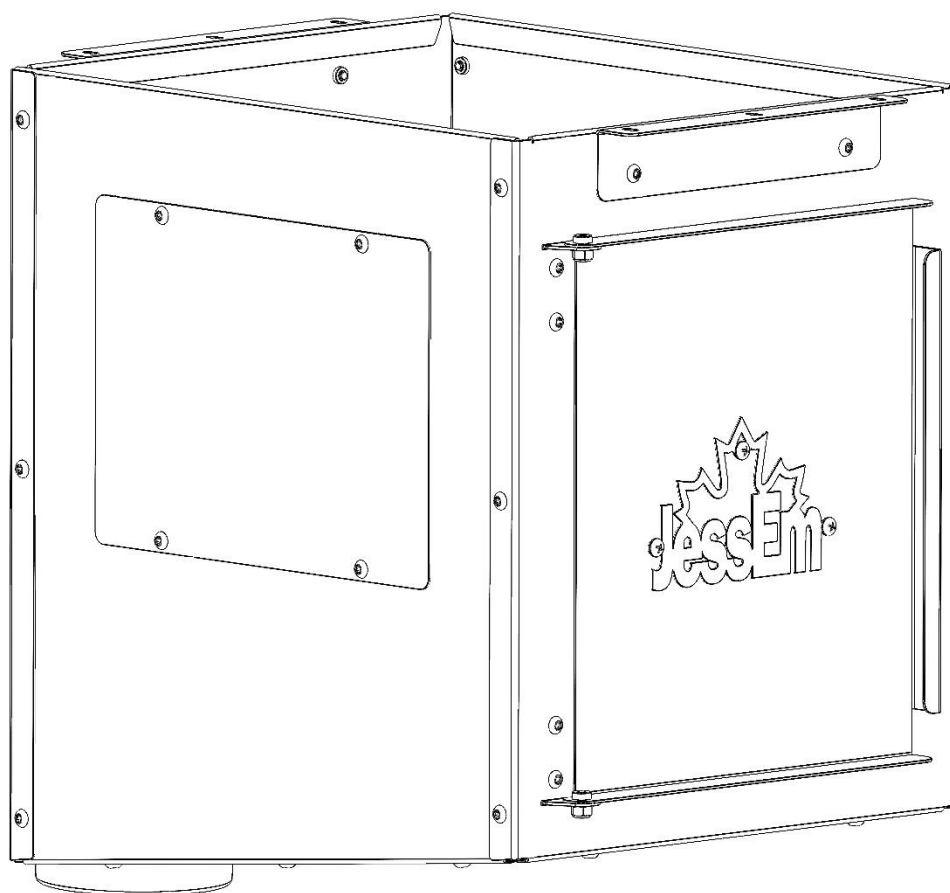




Duel Intake Dust Box

FOR USE with JESSEM ROUTER TABLE APPLICATIONS ONLY



Model #05151

**TO REDUCE THE RISK OF INJURY, USER MUST READ OPERATORS
MANUAL**

THANK YOU FOR CHOOSING



Thank you for choosing this product from JessEm Tool Company. We appreciate your support and hope that our product serves you well. This product is designed to provide many years of reliable service provided it is used as intended and taken care of.

This user manual will assist you in assembly and general operation of this product. It is not our intent to teach you about woodworking. It is assumed that you are an experienced woodworker with the basic skills and experience necessary to use this product safely. If after reading the following instructions you are unsure or uncomfortable about safely using this product, we urge you to seek additional information through widely available woodworking books or classes.

As part of our Continuous Product Improvement Policy, JessEm products are always advancing in design and function. Therefore, there may be differences between what is shown in our catalogs, website or at retail display and what is sold at time of purchase. We reserve the right to make positive changes to our products at our discretion.

If you have any questions about our products or service, please call us at **1-800-436-6799** or email us at **customerservice@jessem.com**

Find us on social media



[youtube.com/JessEmToolCompany](https://www.youtube.com/JessEmToolCompany)



[facebook.com/JessEmTools](https://www.facebook.com/JessEmTools)

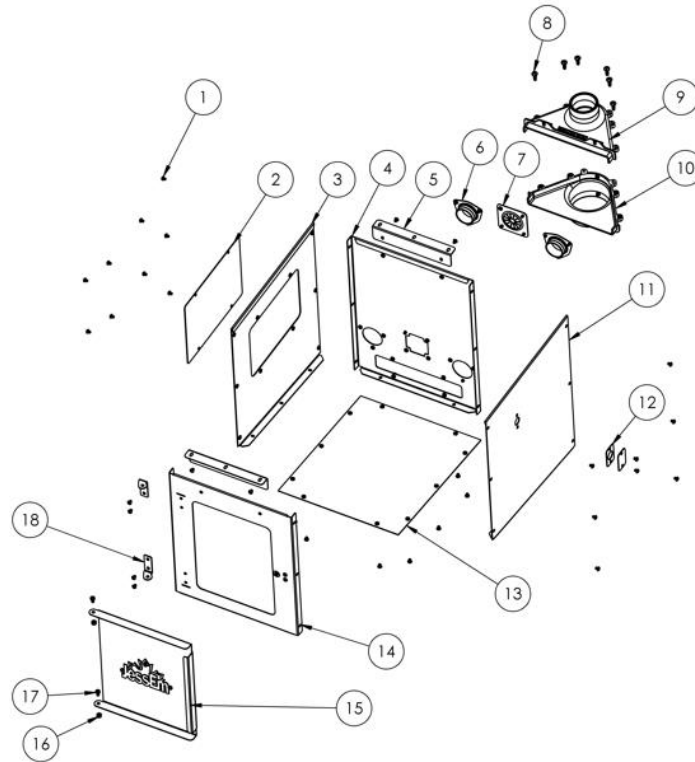


[instagram.com/jessemtoolcompany](https://www.instagram.com/jessemtoolcompany)

324 Desbrisay Avenue
Moncton, New Brunswick,
E1E 0G8, Canada

Toll Free: 800-436-6799
Local Phone: 705-726-8233
Fax: 705-327-0295
Website: www.JessEm.com

WHATS IN THE BOX



Item #	Part #	Description	QTY.
1	F0553	10 – 32 x ¼" Button head Screws	52
2	S0091	Side cover	1
3	S0091	Left Side Panel	1
4	S0091	Back Panel	1
5	S0091	Mounting Bracket	2
6	S0091	Hose ports (2 versions)	4 (2 ea.)
7	S0091	Wire Plate	1
8	F0511	10-24 x ½" lobed plastic screw	6
9	M0292	Upper dust collection port	1
10	M0291	Lower dust collection port	1
11	S0091	Right Side Panel	1
12	S0091	Excel Cover (2 versions)	2 (1 ea.)
13	S0091	Bottom panel	1
14	S0091	Front Panel	1
15	S0091	Door	1
16	F0558	10-32 Lock Nut	2
17	S0065	Door Pivot Bolt	2
18	S0091	Door Hinge	2
19	F0330	10-24 x ½" pan head screws	6

WARRANTY

JESSEM TOOL LIMITED WARRANTY

All JessEm products are warranted to be free from defects in material and workmanship. JessEm will repair or replace any product which upon inspection proves to be defective for a period of (1) year from dated receipt and proof of purchase. All warranty claims should be made direct to JessEm Tool Company.

Contact JessEm for a warranty claim return authorization and instructions to proceed. The consumer is responsible for shipping costs to return product to JessEm Tool Company. We will repair or replace the product at our discretion and JessEm Tool will return shipment to you at no charge.

WARRANTY LIMITATIONS

This warranty does not cover:

- Repairs or alterations made or attempted by anyone other than JessEm Tool Company or an authorized JessEm service professional.
 - Normal wear and tear
 - Abuse, misuse or neglect.
 - Improper care or maintenance.
 - Continued use after partial failure.
 - Products that have been modified in any way.
 - Products used with improper accessories

DATE PURCHASED: _____

WHERE PURCHASED: _____

ADDRESS: _____

ASSEMBLY

TOOLS REQUIRED

- T-25 Lobe Head Screw Driver
- 1/8" hex key
- 3/8" Wrench

Assembly Instructions

(Steps below correlate to images shown later in manual)

1. Attach the two side panels (Parts #3 and #11) to the front panel (Part #14) using six 10-32 x ¼" Button head Screws (Part #1). All flanges should be faced up and inward (assembling the dust box upside down)
2. Attach the bottom panel (part #13) to the assembly created in step 1 using eight 10-32 x ¼" button head screws. Make sure the threaded inserts attached to the base are pointed downward, away from the flanges on the front and side panels.
3. Attach the back panel (part #4) to the rest of the dust box assembly using eight 10-32 x ¼" button head screws. Once again, the flange should be facing up and inward.
4. Slide the round end of the hinge brackets (part #18) through the slots on the front panel, with the oblong side of the protruding part facing towards the door opening. Use two 10-32 x ¼" Screws per hinge to attach them to the front panel. leave the screws slightly loose until the door is mounted.
5. Use the two door pivot bolts (Part # 17) and two 10-32 lock nuts (Part #16) to attach the dust box door. Tighten the hinge screws once the door is attached. Adjust the lock nuts until the door swings freely with minimal play.
6. Use six 10-24 x ½" screws (Part # 8) to attach the two halves of the dust collection port together (Parts #9 and #10).
7. Attach the dust port to the dust box using four 10-32 x 1/4" Screws, ensuring the larger round opening is facing the bottom of the dust box (up).

Use four 10-32 x ¼" Screws to attach the wire plate (part # 7) to the back of the dust box.

Select which hose plates (Part # 6) you will use and connect them to the dust box using six 10-32 x ¼" Screws. If using a JessEm Pow-R-Tek Router, use the plates with a hose adapter. Otherwise, use the solid plates with no opening.

Select which Excel handle cover (Part #12) you plan to use and attach it to the side of the dust box using two 10 - 32 x ¼" Screws. Use the solid plate unless you plan to use a Mast-R-Lift Excel.

8. Attach the mounting brackets (Part #5) to your table top. Six 10-24 x ½" Screws are used with JessEm predrilled phenolic tops, or you may wish to use your own button head screws for attaching the dust box to a custom top. Leave these screws loose until the dust box is attached to the brackets.

Older JessEm table tops will not have predrilled holes for the dust box. If this is the case and you plan to use the screws provided, predrill holes approximately 5/8" deep using a #19 drill bit (0.166"). Be careful not to drill completely through the table top.

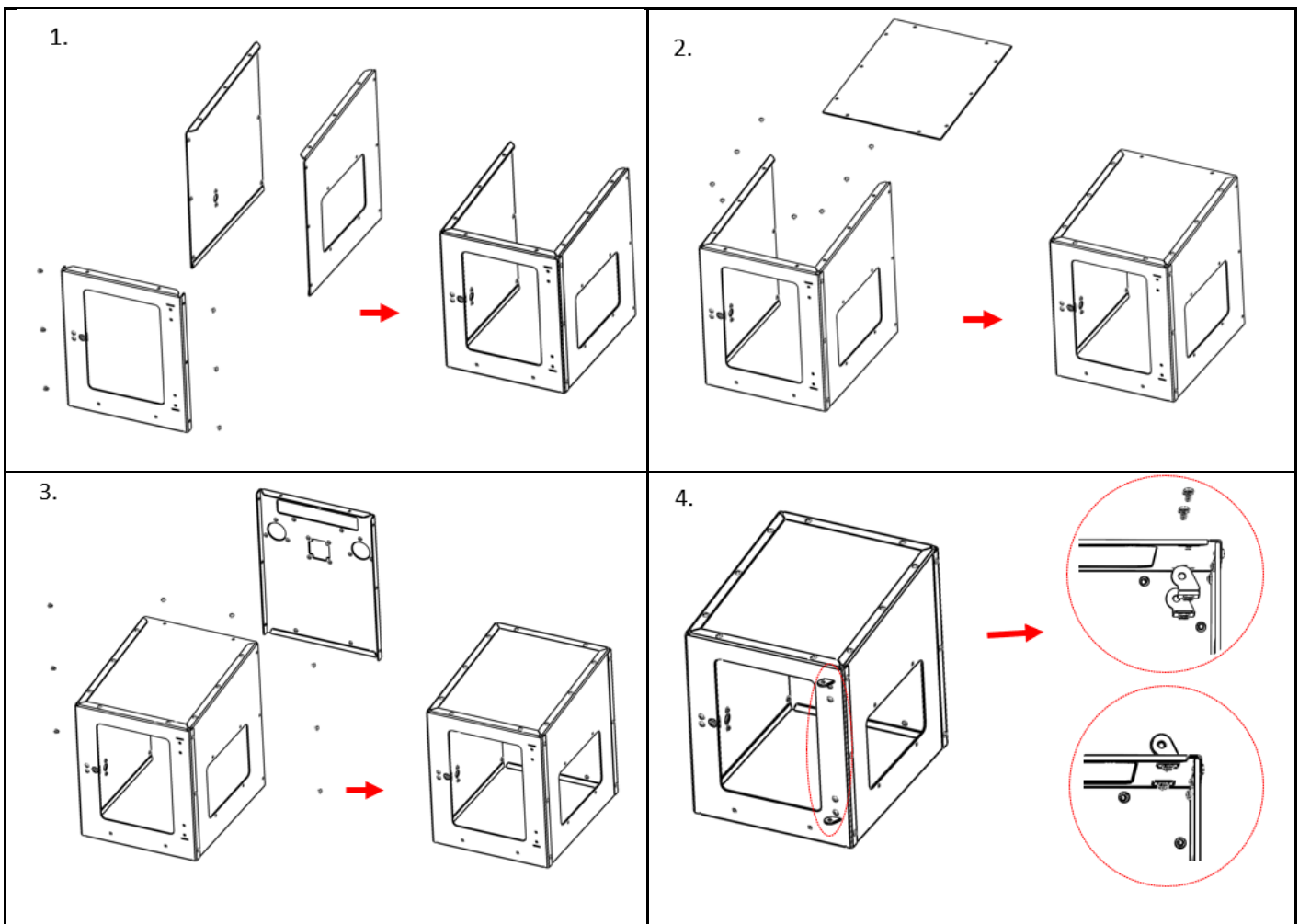
9. Attach the dust box to the brackets using four 10 – 32 x ¼" Screws. Tighten the screws from step 8. If using a Mast-R-Lift Excel, the lift will be connected to the top. Disconnect the handle shaft at the connector near the gear box and slide it out to get clearance for instillation. Once the dust box is installed loosely, the remaining shaft from the gearbox should be protruding from the Excel cover (part 12). reattach the connector to the gear box. Align the dust box so that the shaft does not touch the excel plate and tighten the dust box mounting screws.

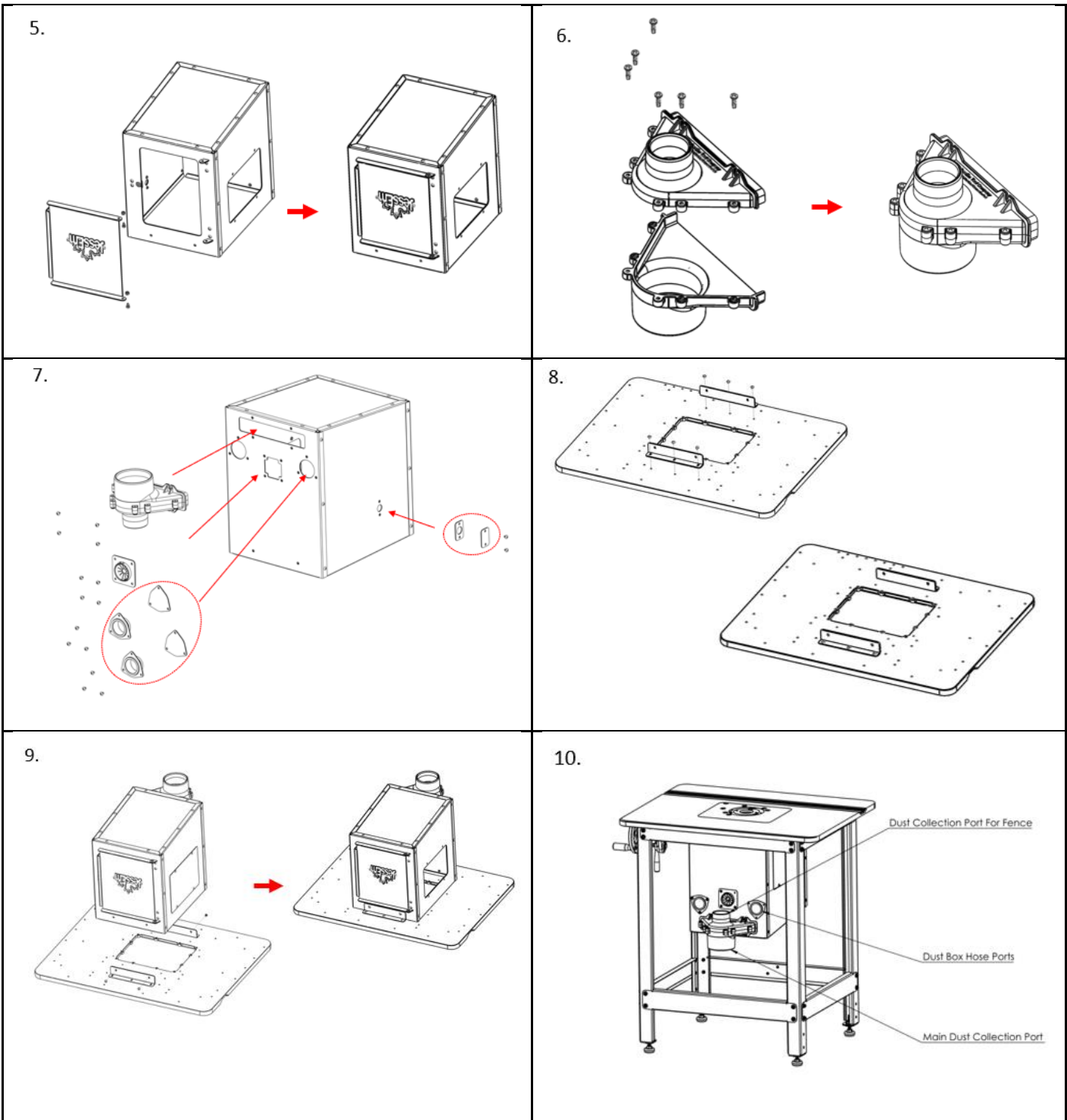
10. Install the dust box/table top assembly on a stand following the directions provided with the stand, and connect your dust collector to the larger dust collection port. If you wish to connect your fence to the dust collection system, run a hose from the smaller upper opening to the fence. Otherwise, plug this port to maximize dust collector effectiveness.

11. Install a router lift in the table (if you are not using a Mast-R-Lift Excel). Insert a router into your lift and, if using a JessEm Pow-R-Tek SR Router, attach hoses between the router and the dust box hose ports.

12. Use four 10-32 x ¼” screws to attach the side cover (Part #2). This panel gives better access to put in and remove a router from your lift in the future.

Note: Last two steps do not have pictures below





MAINTENANCE



WARNING: To reduce the risk of injury, always unplug your tool before performing any maintenance. Never disassemble the tool or try to do any rewiring on the tool's electrical system.



WARNING: Saw dust buildup within this product may create a potential fire hazard. Always ensure there is no saw dust buildup before using and never use without turning on dust collection system.

MAINTAINING TOOL

Keep your tools in good repair by adopting a regular maintenance program. Before use, examine the general condition of your tool. Inspect guards, switches, tool cord set and extension cord for damage. Check for loose screws, misalignment, binding of moving parts, improper mounting, broken parts and any other condition that may affect its safe operation. If abnormal noise or vibration occurs, turn the tool off immediately and have the problem corrected before further use. Do not use a damaged tool. Tag damaged tools "DO NOT USE" until repaired (see "Repairs").

CLEANING

Clean dust and debris regularly. Keep the tool clean, dry and free of oil or grease. Use only mild soap and a damp cloth to clean your tool since certain cleaning agents and solvents are harmful to plastics and other insulated parts that may be used around the dust box. Some of these include: gasoline, turpentine, lacquer thinner, paint thinner, chlorinated cleaning solvents, ammonia and household detergents containing ammonia. Never use flammable or combustible solvents around tools.

ACCESSORIES



WARNING: To reduce the risk of injury, always unplug the tool before attaching or removing accessories. Use only specifically recommended accessories. Others may be hazardous

For a complete listing of accessories, including JessEm router tables and lifts, visit JessEm at www.jessem.com or contact a distributor near you



WARNING: Drilling, sawing, sanding or machining wood products can expose you to wood dust, a substance known to the state of California to cause cancer. Avoid inhaling wood dust or use a dust mask or other safeguards for personal protection.



WARNING: This product can expose you to chemicals including lead and/or chromium, known to the State of California to cause cancer and birth defects or other reproductive harm.



WARNING: Read and understand all instructions before using. Failure to follow all instructions listed below or to use the router in a safe manor may result in electrical shock, fire and/or serious personal injury.