

# ALTS Rout-R-TableStand

## User Manual

Model #05100

# JesseM Tool Company

61 Forest Plain Road  
Oro-Medonte, Ontario,  
L3V 0R4 Canada

Toll Free: 800-436-6799

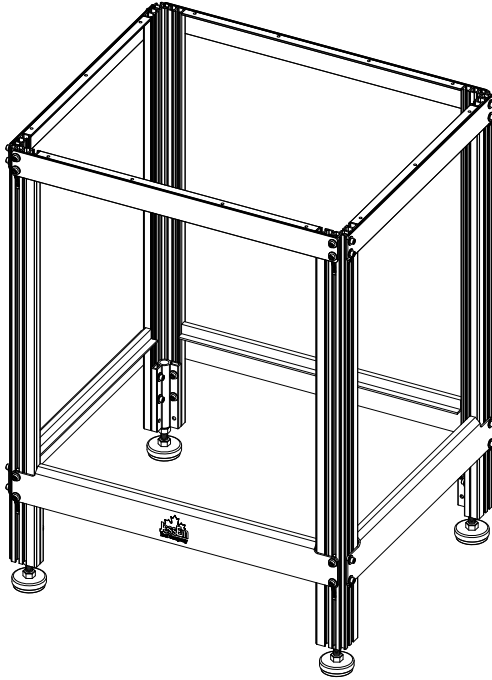
Local Phone: 705-726-8233

Fax: 705-327-0295

Email: [jessem@jessem.com](mailto:jessem@jessem.com)

Store: [www.jessemdirect.com](http://www.jessemdirect.com)

Website: [www.jessem.com](http://www.jessem.com)



Thank you for choosing this product from JesseM Tool Company. We appreciate your support and hope that our product serves you well. This product is designed to provide many years of reliable service provided it is used as intended and taken care of.

This user manual will assist you in assembly and general operation of this product. It is not our intent to teach you about woodworking. It is assumed that you are an experienced woodworker with the basic skills and experience necessary to use this product safely. If after reading the following instructions, if you are unsure or uncomfortable about safely using this product we urge you to seek additional information through widely available woodworking books or classes.

As part of our Continuous Product Improvement Policy, JesseM products are always advancing in design and function. Therefore there may be differences between what is shown in our catalogs, website or at retail display and what is sold at time of purchase. We reserve the right to make positive changes to our products at our discretion.

**TOOLS REQUIRED: 3/16" Hex Key (Provided)**

### Assembly of the Stand

1. Take 2 Legs (Part #5 - See Figure #1), and lay them flat with bottom leg levelers closest to you. Position each leg so the nut retainers - (see Figure 2) are facing outwards and up. Take the front lower brace with the JesseM Logo on it (Part #8) and attach it (flange up and inwards) to the bottom two holes nearest the leg levelers using four of the 1/4"-20 x 5/8" stainless cap screws bolts (Part #4) and the 1/4" stainless steel washers (Part #2). See Figure #3. **Do not fully tighten the screws at this point.** (All screws will be left a loose fit until the entire stand is built.) Take one of the upper front braces (Part #3) and attach it (flange up and inwards) the back to the upper two front holes using the same bolts and washers as before. **Do not fully tighten these screws.** You have now completed the front leg and brace assembly.
2. Take the two remaining legs and again lay them in front of you as done in Step 1. Build the rear legs and braces assembly the same way as done in Step 1. **Do not fully tighten screws at this time.**

3. Take the front leg and brace assembly from step 1, and the left and right top braces (Part #1 both sides) and attach to the top two holes on the left and right sides of the front legs using four (4) of the 1/4"-20 x 5/8" stainless steel cap screws (part #4) and four (4) 1/4" washers (part #2). The top braces should be mounted flange up and pointing inward to the assembly. **Do not fully tighten screws at this time.**

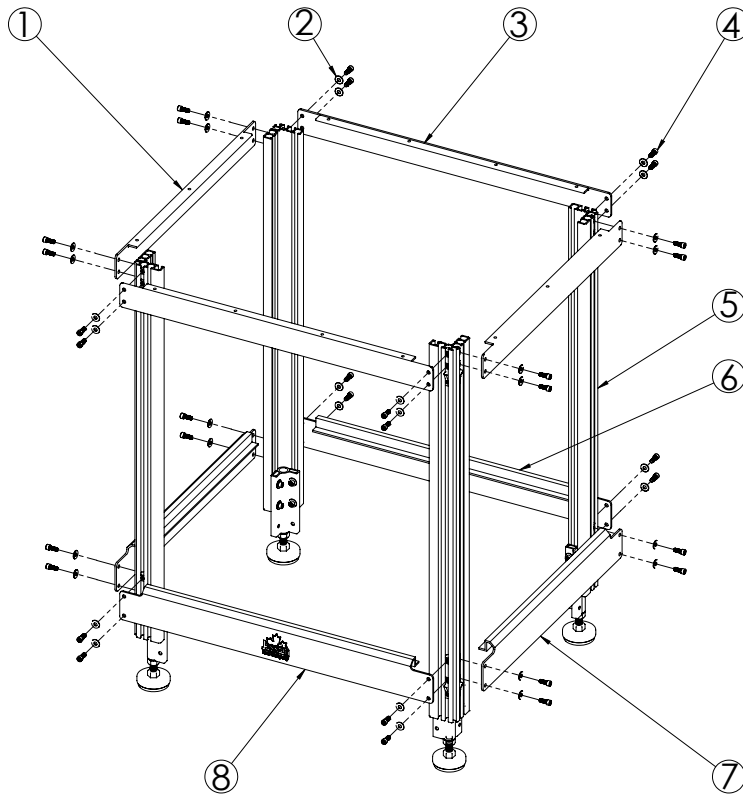
4. Take the left and right bottom braces (part #7) and attach to the bottom two holes on the left and right sides of the front legs using four (4) of the 1/4"-20 x 5/8" stainless steel cap screws (part #4) and four (4) 1/4" stainless steel washers (part #2).

The top braces should be mounted flange up and pointing inward to the assembly. **Do not fully tighten bolts at this time.**

4. Take the rear leg and brace assembly from Step 2. Using the remaining eight (8) 1/4"- 20 x 5/8" stainless steel cap screws (part #4) and four (4) 1/4" stainless steel washers (part #2), attach the rear legs assembly to all four of the top and bottom braces to enclose the stand. Once this is complete all bolts on the stand can now be tightened securely with a 3/16" hex key. **Do not over tighten the screws.**

5. If mounting a table top to the stand, leave the top screws loose until the table top has been mounted. Then tighten all screws.

Figure #1



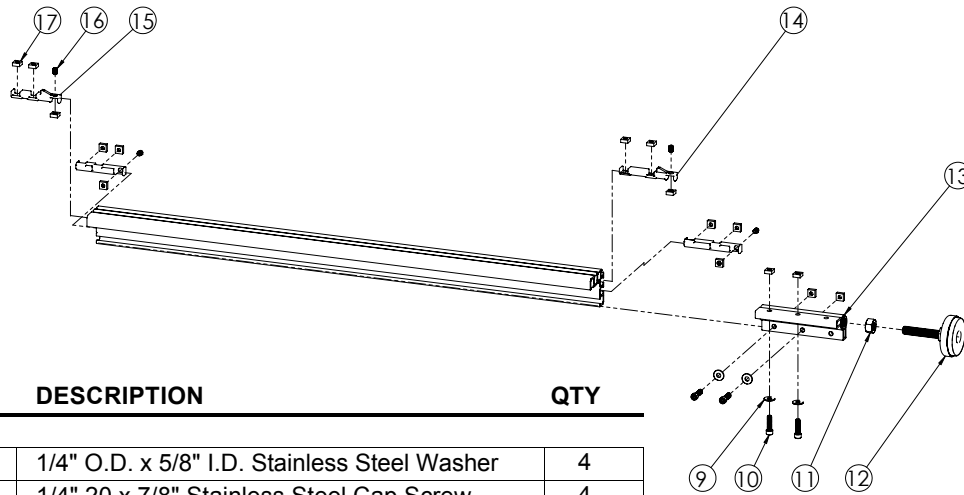
ITEM #	PART #	DESCRIPTION	QTY.
1	E0266-2-3-C	Upper Side Braces	2
2	F0348	1/4" O.D. x 5/8" I.D. Stainless Steel Washer	32
3	E0266-1-3-C	Upper Front and Back Braces	2
4	F0347	1/4-20 x 5/8" Stainless Steel Cap Screw	32
5	E0240-1-3-C	Outer Legs	4
6	E0242-2-3-C	Lower Back Brace	1
7	E0243-1-3-C	Lower Side Braces	2
8	E0242-1-3-C	Lower Front Brace (With JessEm Logo)	1

# Individual Leg Assembly Breakdown

Each Leg for the stand comes fully assembled with

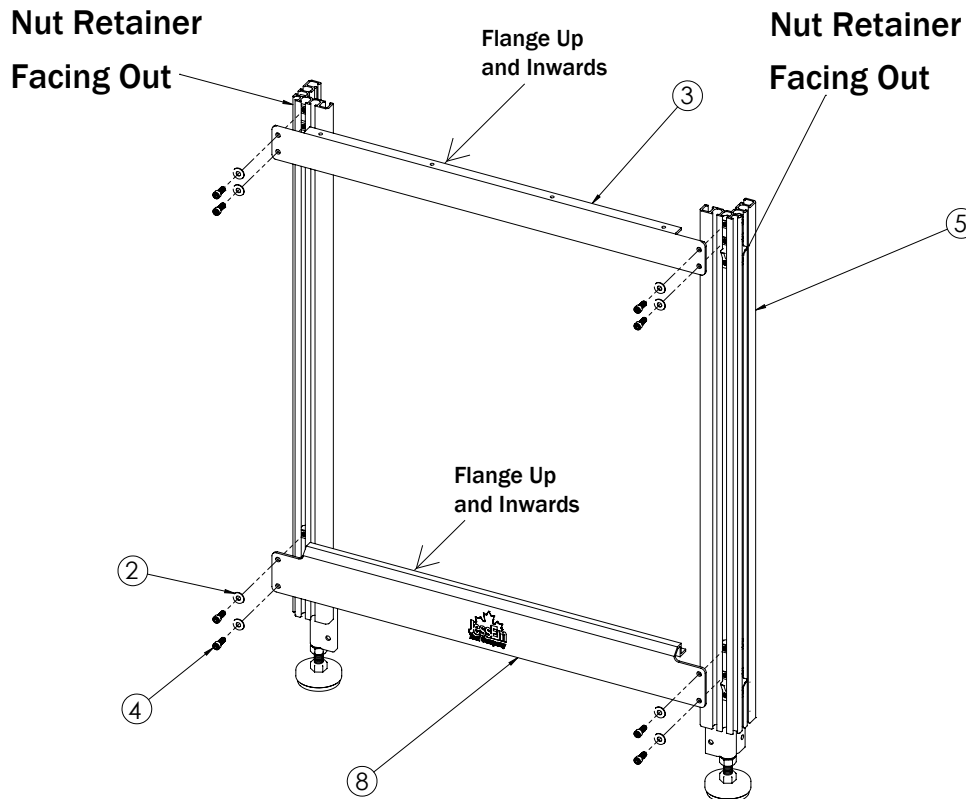
Levellers.

**Figure #2**



ITEM #	PART	DESCRIPTION	QTY
9	F0347	1/4" O.D. x 5/8" I.D. Stainless Steel Washer	4
10	F0360	1/4" 20 x 7/8" Stainless Steel Cap Screw	4
11	M0342	Leg Leveller - M12 Thread	1
12	M0332	Large Nut Retainer	2
13	M0331	Small Nut Retainer	2
14	F0126	1/4-20 Set Screw	4
15	F0028	1/4-20 Square Nut	16

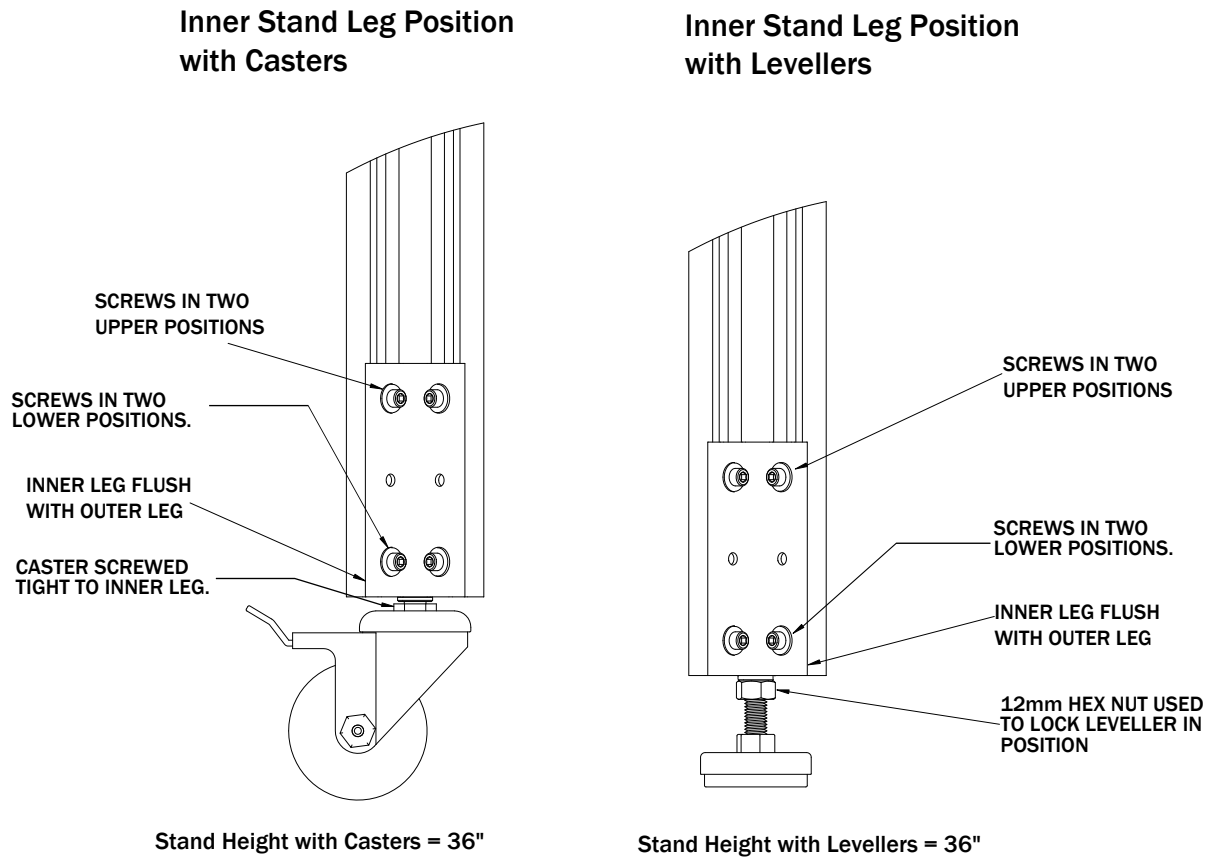
**Figure #3**



The 05100 Router Table Stand is designed for either, levellers, which are included standard with the stand or the stand can be fitted with casters.

**Figure #4** below, shows the required positions for the Inner Leg, (Part #13) , the Cap Screws (Part #10) and the Washers (Part #9) whether you are using casters or levellers.

**Figure #4**



**JESSEM TOOL LIMITED WARRANTY**

All JessEm products are warranted to be free from defects in material and workmanship. JessEm will repair or replace any product which upon inspection proves to be defective for a period of (1) year from dated receipt and proof of purchase. All warranty claims should be made direct to JessEm Tool Company. Contact JessEm for a warranty claim return authorization and instructions to proceed. The consumer is responsible for shipping costs to return product to JessEm Tool Company. We will repair or replace the product at our discretion and JessEm Tool will return shipment to you at no charge.

**WARRANTY LIMITATIONS**

This warranty does not cover:

- Repairs or alterations made or attempted by anyone other than JessEm Tool Company or an authorized JessEm service professional.
- Normal wear and tear
- Abuse, misuse or neglect.
- Improper care or maintenance.
- Continued use after partial failure.
- Products that have been modified in any way.
- Products used with improper accessories.