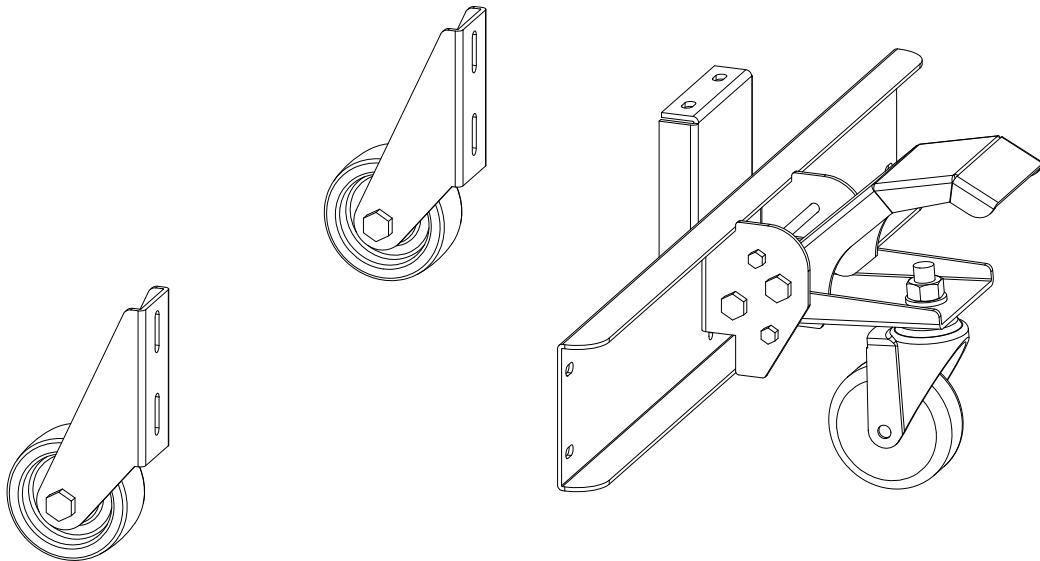


RETRACTABLE CASTER SET FOR JESSEM STAND #05005

Owners Manual

Model #05006



JesseM
Tool Company

61 Forest Plain Road,
Oro-Medonte, Ontario,
Canada, L3V 0R4

Toll Free: 1-800-436-6799

Local: 705-726-8233

Email: jessem@jessem.com

Store: www.jessemdirect.com

Web: www.jessem.com

IMPORTANT!

Read and understand the contents of this manual before assembly or operation of this product.

Thank you for choosing this product from JessEm Tool Company. We appreciate your support and hope that our product serves you well. This product is designed to provide many years of reliable service provided it is used as intended and taken care of.

This user manual will assist you in assembly and general operation of this product. It is not our intent to teach you about woodworking. It is assumed that you are an experienced woodworker with the basic skills and experience necessary to use this product safely. If after reading the following instructions, if you are unsure or uncomfortable about safely using this product we urge you to seek additional information through widely available woodworking books or classes.

As part of our Continuous Product Improvement Policy, JessEm products are always advancing in design and function. Therefore there may be differences between what is shown in our catalogs, website or at retail display and what is sold at time of purchase. We reserve the right to make positive changes to our products at our discretion.



IMPORTANT

DO NOT OPERATE ROUTER TABLE WITH CASTERS ENGAGED

ALWAYS HAVE THE LEG LEVELLERS ON THE FLOOR WHEN OPERATING THE ROUTER TABLE.

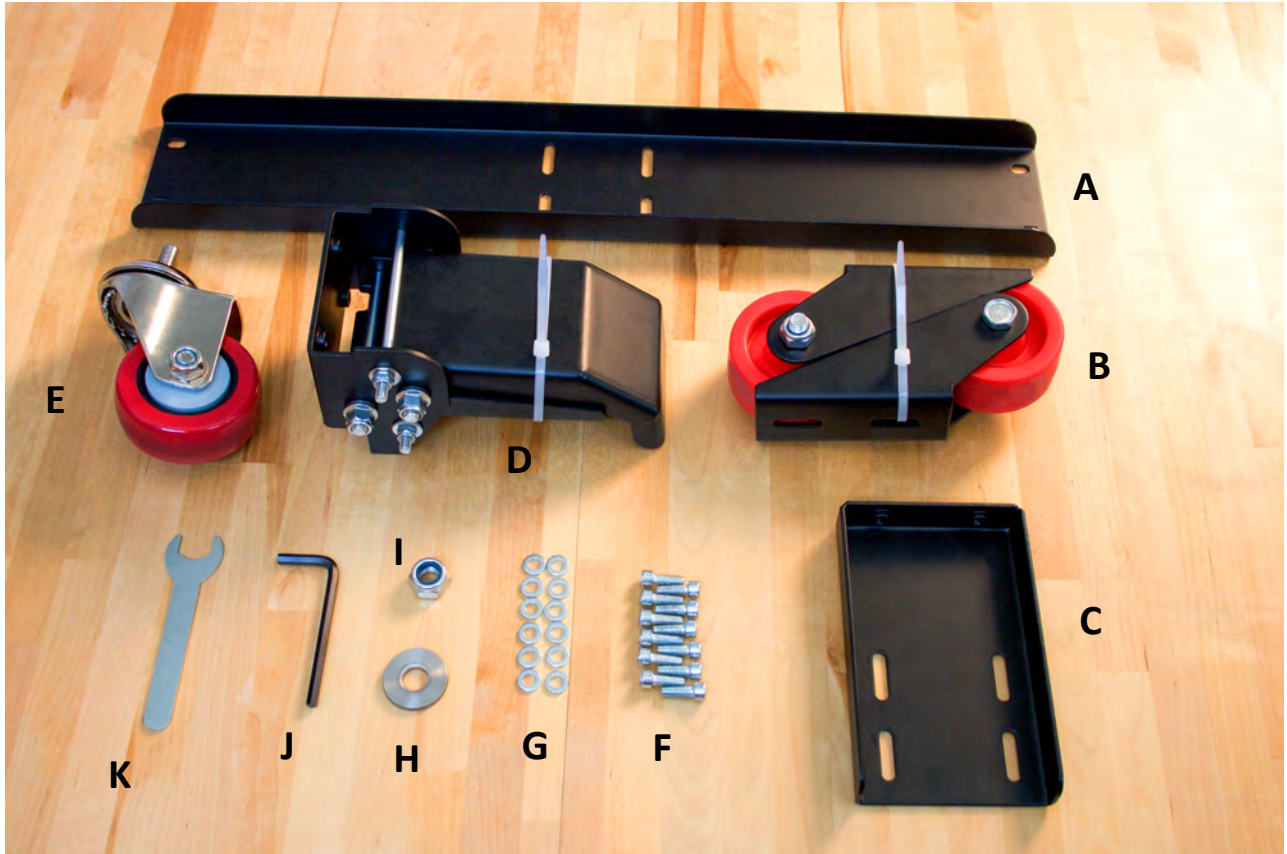
IMPORTANT SAFETY PRECAUTIONS

- Before operating any machinery or power tool, read and understand all safety instructions in the owner's manual for the tool or machine.
- If you do not have a manual, contact the manufacturer and obtain one before using any tool or machine.
- Always wear eye protection in compliance with ANSI safety standards when operating any power tools or machinery.
- Do not wear loose clothing or jewelry that may catch on tools, machinery or equipment.
- Unplug the tool or machine when mounting or making any adjustments to mechanical performance.
- Always use proper guards and safety devices when operating power tools and machinery.

ROUTER SAFETY PRECAUTIONS

- Always make sure the fence on your router table is locked firmly into position before each use.
- Never force the bit or overload the router beyond the expectations of the tool.
- Be sure that at least 3/4 of the shank length is inserted securely in the router collet.
- Never bottom out the bit in the collet. Allow 1/8" clearance between bottom of shank and bottom of collet.
- Always rout in two or more passes when large amounts of stock must be removed.
- Use reduced RPM speeds for larger diameter router bits.
- Carefully check router bits before each use. Do not use if damage or defect is suspected.
- Do not exceed the recommended RPM for any router bit.

PARTS INCLUDED WITH RETRACTABLE CASTER SET



PARTS LIST

PART #	DESCRIPTION	QTY	PART #	DESCRIPTION	QTY
A	Wheel Frame	1	G	6mm Flat Washer	14
B	Caster Wheels with Brackets	2	H	Heavy Washer	1
C	Support Plate	1	I	M12 Nylon Lock Nut	1
D	Foot Pedal Assembly	1	J	5mm Hex Key	1
E	Caster Wheel	1	K	Wrench	1
F	M6 x 16mm Socket Head Cap Screws	14			

Steps for the Retractable Caster Set: Model #05006

STEP 1:

Remove all contents from the box.

STEP 2:

Ensure you have all the parts noted in the contents listed in the photo and table above.

STEP 3: Adding the Caster Wheel to Foot Pedal Assembly

Place the threaded end of the caster wheel through the wheel base as shown in Figure 1. Using one (1) heavy washer and one (1) M12 Nylon Lock Nut secure the caster wheel base using a 19mm wrench and the skinny wrench as seen in Figure 2 and 3.



Figure 1.



Figure 2.



Figure 3.

STEP 4: Mounting the Foot Pedal Assembly to the Wheel Frame

Place the wheel frame (A) over the roller assembly as shown in Figure 4 and 5.



Figure 4.



Figure 5.

Line the holes up on the support plate (C) with the holes in the wheel frame (A) See Figure 6.



Figure 6.

Secure with four (4) M6 x 16mm Socket Head Cap Screws and four (4) 6mm Flat Washers as shown in Figure 7. **** Do not fully tighten up these screws yet.****



Figure 7.

STEP 5: Mounting the wheel frame assembly and caster wheel with brackets to stand

Line up the wheel frame assembly with the 2 holes on each stand leg. Using four (4) M6 x 16mm Socket Head Cap Screws and four (4) 6mm Flat Washers, mount the wheel frame assembly and tighten the screws using the 5mm hex key provided or a 5mm T-Handle as shown in Figure 8 and 9.

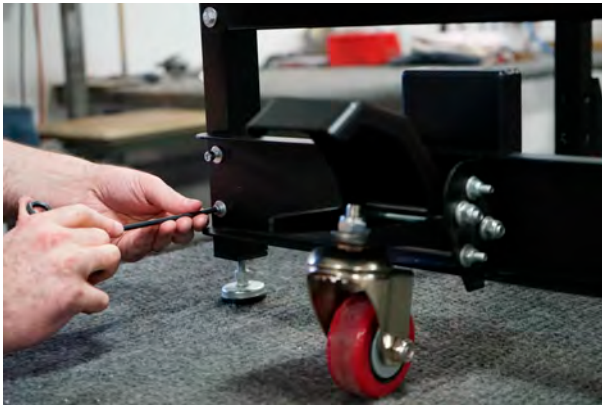


Figure 8.



Figure 9.

Once you have the wheel frame assembly mounted to the stand. Raise the support plate and connect it the stand brace using two (2) M6 x 16mm Socket Head Cap Screws and two (2) 6mm Flat Washers as shown in Figure 10.

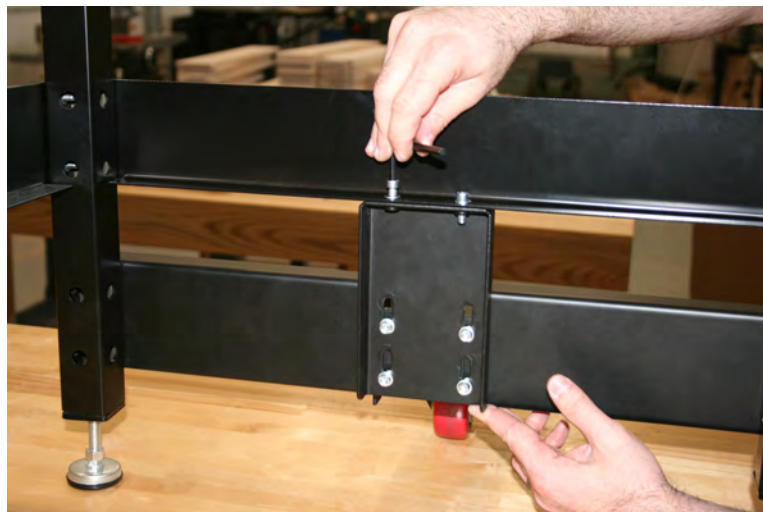


Figure 10.

Now that the support plate has been connected to the stand brace, tighten up the four (4) M6 x 16mm screws on the roller wheel assembly as shown in Figure 11.

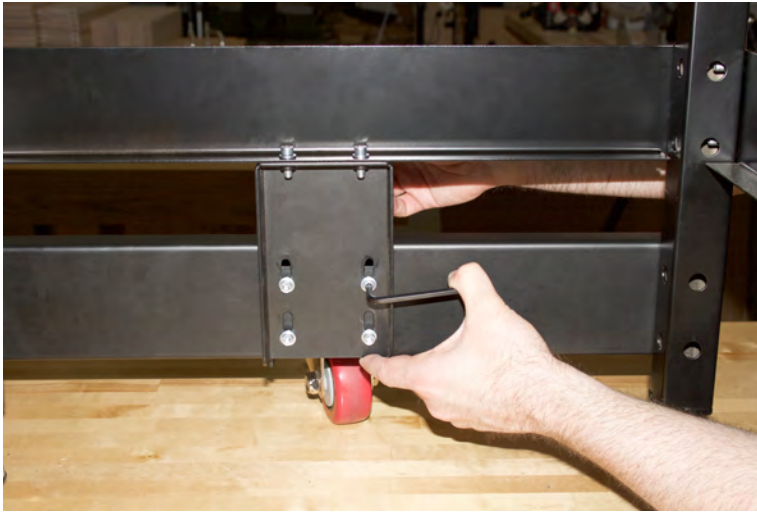


Figure 11.

Line up one of the caster wheel and brackets to the holes on the stand leg. Using two (2) M6 x 16mm Socket Head Cap Screws and two (2) 6mm Flat Washers mount the caster wheel to the stand leg and leave screws loose as shown in Figure 12 and 13. ** These will be tightened at the very end once the stand is levelled **
(repeat one more time mounting the other caster wheel with bracket to the other stand leg.



Figure 12.



Figure 13.

Once you have your stand levelled, adjust the fixed individual rollers so that they are just touching the ground and tighten the screws.

On the single caster side, you will want to make sure the caster is about 1/16 off the floor when the foot pedal is not engaged. This will allow the stand to move freely when you step on the foot pedal and raise the unit off the ground as shown in the photo below.



**FOR MORE JESSEM PRODUCTS AND
INFORMATION, PLEASE BE SURE TO CHECK OUT**

www.jessem.com