

AXCEL CURVE RX/RX PRO INSTRUCTIONS

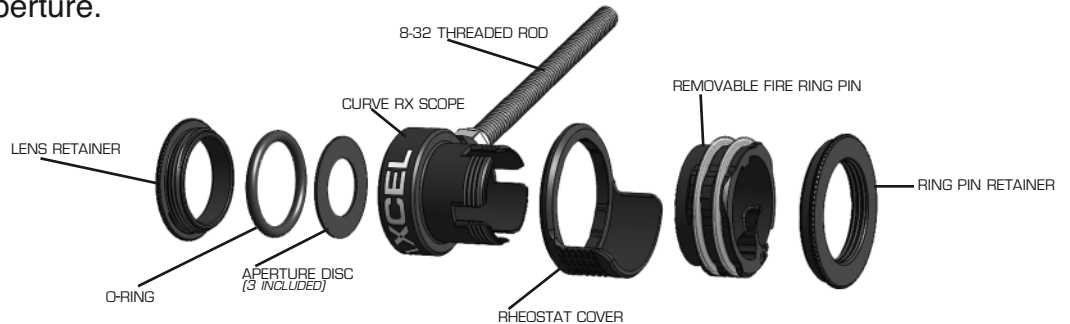
FIRE RING PIN WITH RHEOSTAT INSTALLATION:

The Curve RX scope has four notches cut into it to align with the Fire Ring Pin. These notches allow the archer to change from a vertical pin to horizontal easily as well as change from RH to LH without losing accuracy. The Fire Ring Pin has the Rheostat installed on the back. The Rheostat snaps on and off easily and can be removed if desired. Choose your desired alignment and slide the Fire Ring Pin onto the scope aligning it with the notches. Then screw on and tighten the Ring Pin Retainer to hold the Fire Ring Pin in place.



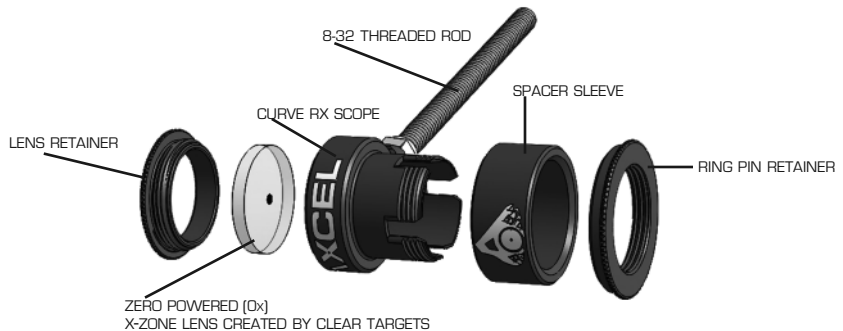
FIRE RING PIN WITH APERTURE INSTALLATION:

Follow the above instructions to install the Fire Ring Pin. The Curve RX is supplied with three different size aperture discs as well as a square aperture disc. Choose your desired aperture and install it into the pocket on the target side of the scope. Insert the supplied o-ring on top of the aperture and screw the Lens Retainer onto the o-ring tightening the aperture.



LENS AND SPACER INSTALLATION:

The Curve RX is supplied with an "X-Zone" 0x lens from Clear Target lenses to use with a stick fiber or a dot decal. To use this configuration slide the Spacer Sleeve onto the scope in the place of the Fire Ring Pin and secure it by screwing on the Ring Pin Retainer. Place the lens into the pocket on the target side of the scope and screw in the Lens Retainer to hold the lens.



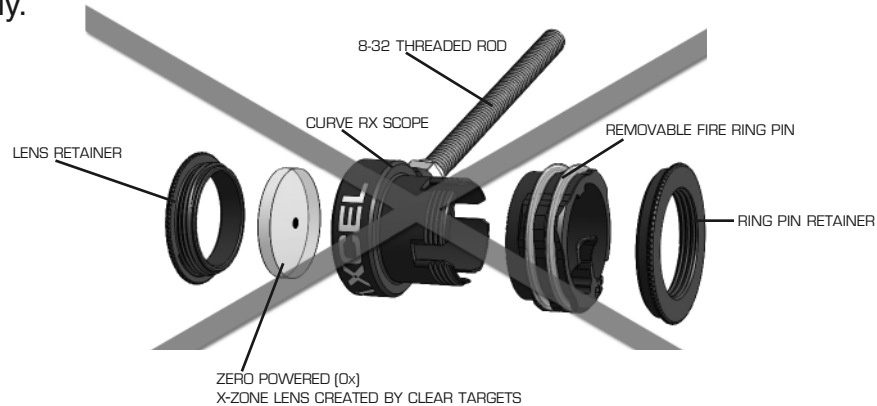
LENS AND SPACER WITH APERTURE INSTALLATION:

Follow the above instructions to install the Spacer Sleeve. Place the lens into the pocket on the target side of the scope, choose your desired aperture and place on top of the lens. Screw in the Lens Retainer to hold the aperture and the lens in place.



CONFORMING TO FITA REGULATIONS:

FITA ruling 22.1.5.1 states that a bow sight may not provide for more than one sighting point. To insure that the archer conforms to these rules we must state that a Fire Ring Pin may NOT be used at the same time as a lens with a dot decal or a lens with a stick fiber, as it would provide more than one sighting point. The archer must choose which one of these options they wish to use but they may **NOT** be used simultaneously.



FIBER AND DOT DECAL INSTALLATION:

Insert the stick fiber into the lens and then flare both ends of the fiber using a hex wrench that has been heated to achieve the best fiber brightness. Be sure not to touch the fiber with the wrench. Also supplied is a dot decal sticker kit from Precision Archery Reticles with instructions for accurate installation located on the back of the card. The dot decal will go over and cover the drilled lens hole.