

AXCEL CURVE CX/CX PRO INSTRUCTIONS

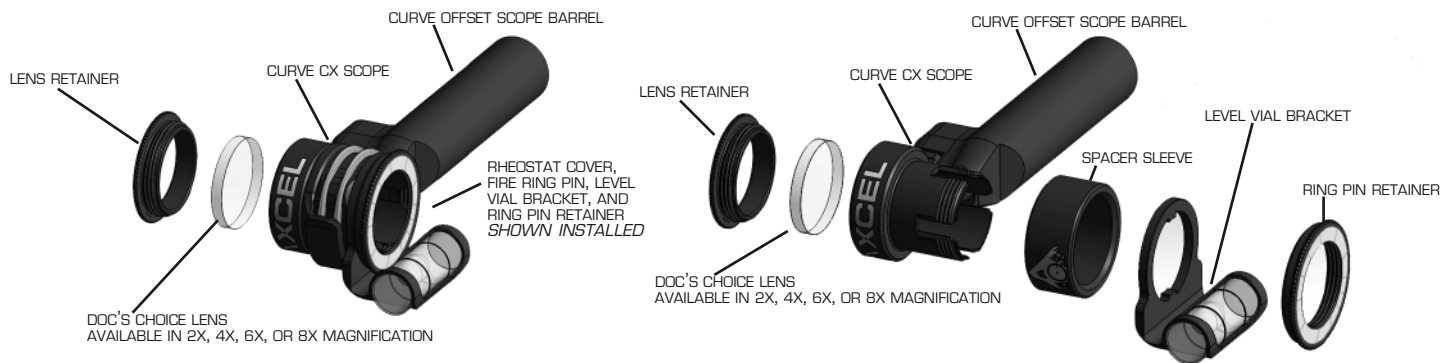
FIRE RING PIN WITH RHEOSTAT AND LEVEL BRACKET INSTALLATION:

The Curve CX scope has four notches cut into it to align with the Fire Ring Pin and the Level Bracket. These notches allow the archer to change from a vertical pin to horizontal easily as well as change from RH to LH without losing accuracy. The Fire Ring Pin has the Rheostat installed on the back. The Rheostat snaps on and off easily and can be removed if desired. Choose your desired alignment and slide the Fire Ring Pin onto the scope aligning it with the notches. The Level Bracket and the Ring Pin Retainer must be installed together. Align the Level Bracket with the notches in the scope and then place the Ring Pin Retainer onto the scope and screw on the retainer to hold the Fire Ring Pin and the Level Bracket in place.



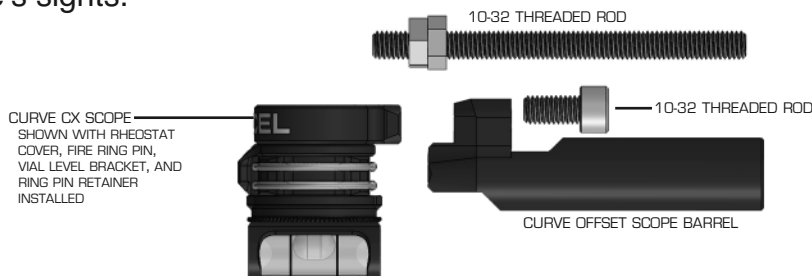
LENS AND SPACER INSTALLATION:

The Curve CX is capable of accepting a powered lens in 2x, 4x, 6x, or 8x from Clear Targets to use with the Fire Ring Pin. To add a powered lens, place the lens into the pocket on the target side of the scope with the convex of the lens facing the target, then screw in the Lens Retainer to hold the lens in place. The CX is also capable of accepting a drilled lens from Clear Targets to be used with a dot decal or stick fiber. To use this configuration follow the steps above to install the lens on the target side of the scope and then remove the Fire Ring Pin and put the Spacer Sleeve in its place.



MOUNTING OPTIONS:

The Curve CX is supplied with an Offset Scope Barrel held in place by a 10-32 screw. This configuration allows for a direct mount to an Axcel sight and allows the archer to screw an artificial light into the end of the tube to shine directly on the fibers. There is a 10-32 threaded rod with two hex nuts included for use with other manufacture's sights.



ACCESSORIES:

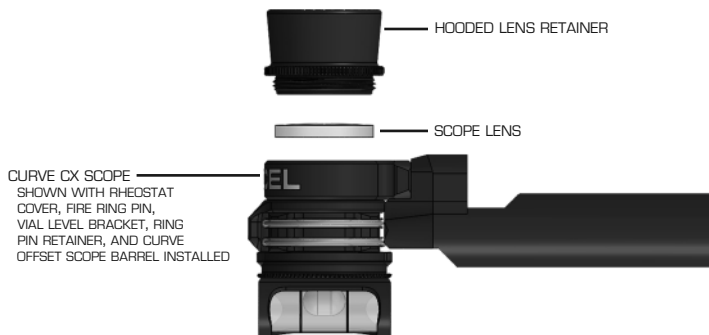
There are a number of accessories that the archer may wish to purchase separately to add to the Curve CX.

Drilled Lens Barrel: Used to provide light through the side of a drilled lens to a fiber stick. To use this configuration remove the Offset Scope Barrel or 10-32 threaded rod from the scope and screw the Drilled Lens Barrel into the scope and tighten it down using the wrench flats provided. This will allow the use of an artificial light to shine through the scope and side of lens to a stick fiber.



Hooded Lens Retainer:

This may be purchased to provide more shade on the target side of the scope. To use the Hooded Lens Retainer simply remove the Lens Retainer and use this in its place for tightening down the lens.



Peep Alignment Rings(32mm & 39mm): The Peep Alignment Rings are used to better align the archers current peep size with the outside of the Curve CX scope. Because of the small size of the Curve CX looking through the peep it has more space around the outside of the scope. By adding one of the Peep Alignment Rings the archer is capable of better aligning the Curve CX scope with their peep. To use one of the alignment rings unscrew the Ring Pin Retainer, remove the Level Bracket and replace it with the Peep Alignment Ring, and reinstall the retainer.

