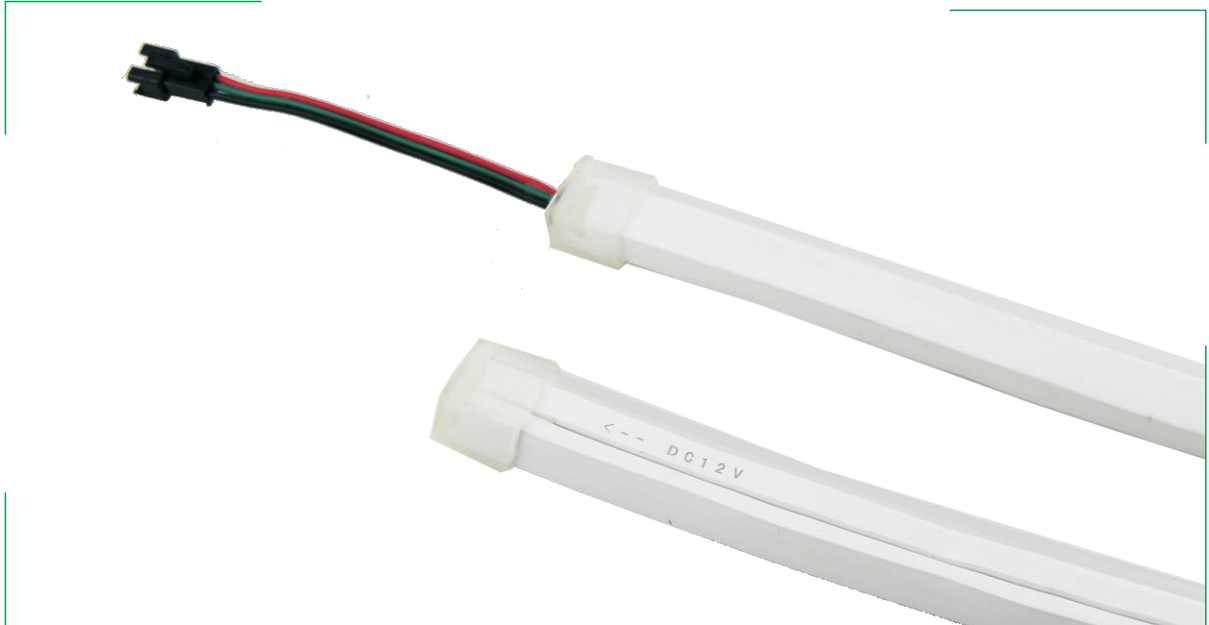


Digital flexible Neon Strip

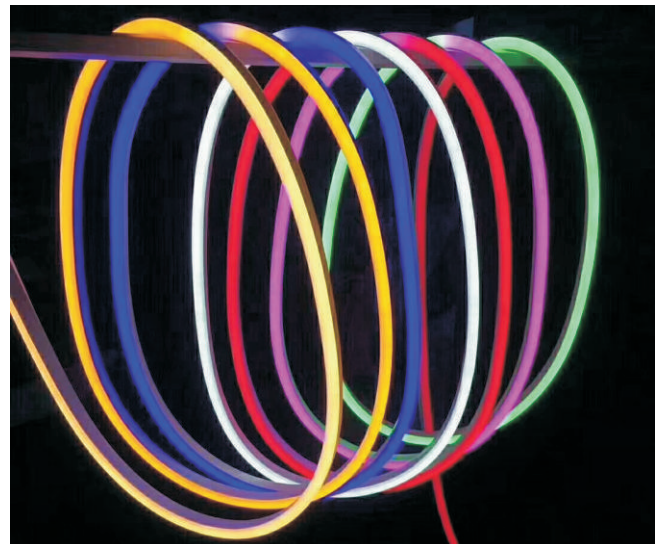


1 Years Warranty

.....

Product Description

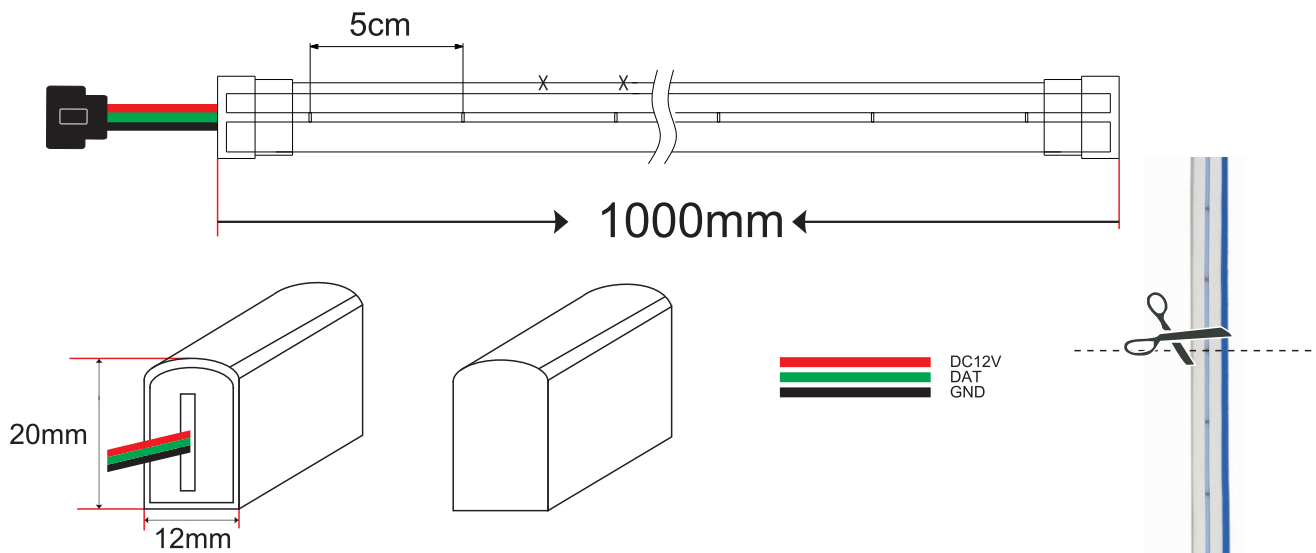
This digital Neon LED made by Silicon material, more bendy and flexible compare to PVC it's IP65 rated ,white color base ,diffuser color on top of strip output perfect color without any light spot the digital strip designed as 5cm per section inside the neon, so it's cut-able per 5cm Mounting by extrusion channel clips (excluded in the product) there is only 1 JST connector on input side , drive by SPI signal 20Pixels per meter ,



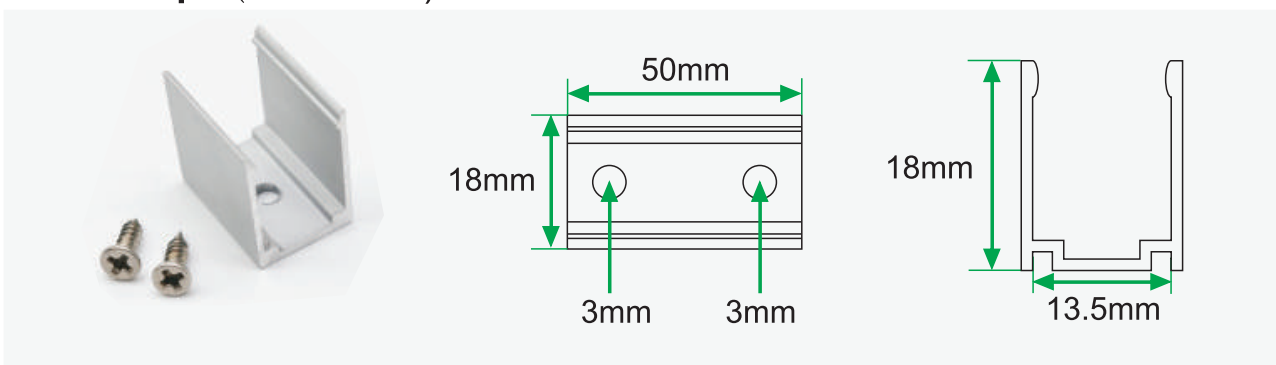
Product Datasheet

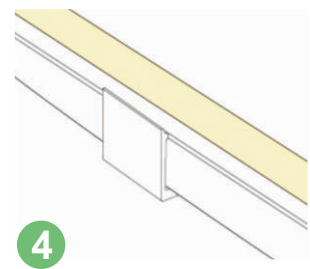
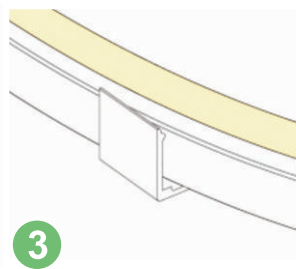
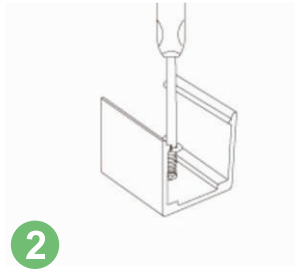
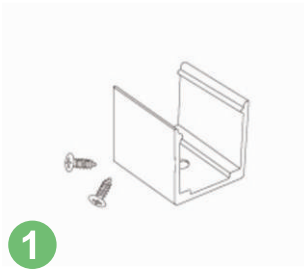
P/M	SN605050P-12V
Luminance (LM/M)	R: 630 G: 523 B: 460
Dimension	L: 1000MM* W: 12MM* H:20 MM
Material	Silicon
LED Type	SMD5050 RGB
LED Quantity	60leds/m
Operating Voltage	DC12V
Wattage / Meter	10W
IP Level	IP65
Operation Temperature	-30℃ ~ 45℃
Bending Direction	Vertically
Pixel/M	20Pixels-SPI

Outline Dimension

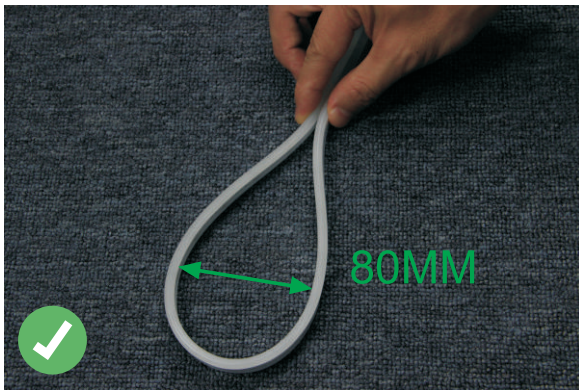


Mount clips (Excluded)

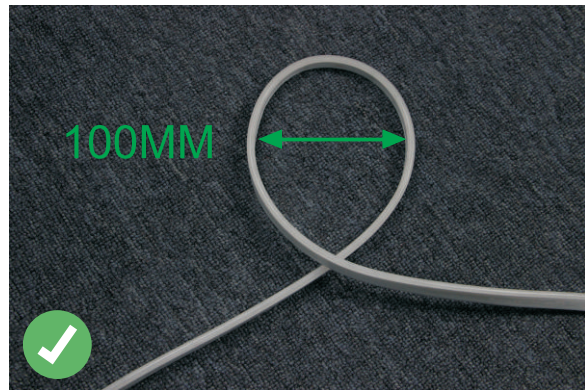




Correct bending way



Face to the lighting surface and fold the strip.
The minimum bending diameter is 80mm



Lighting surface upwards and the strip can be bent to right or left naturally, The minimum bending diameter is 100mm

Incorrect bending way



Face to the side surface(as the picture shows),Do not bend it downward to damage the strip.



(as the picture shows) please do not twist the strip, or it will be damaged