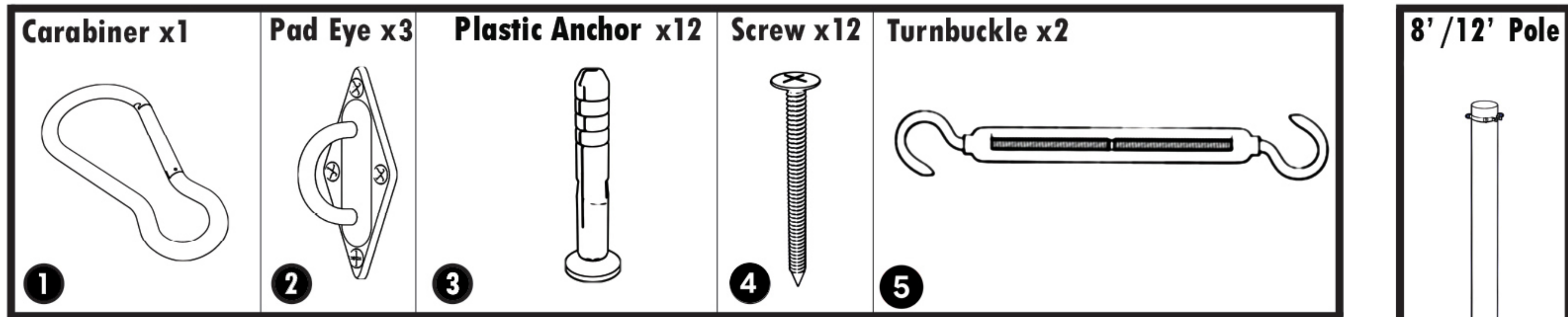


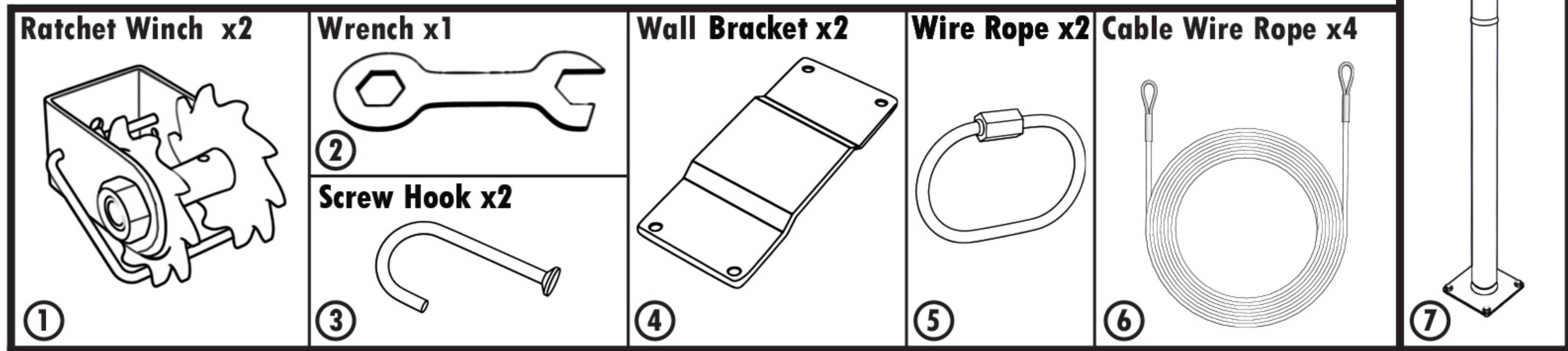
Hardware Kits Installation Guide

1, ASSESSORIES:

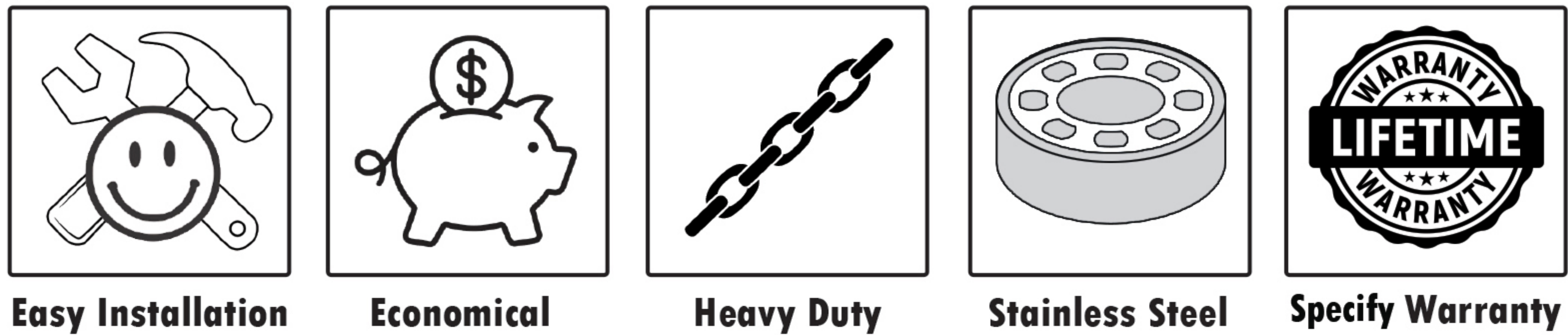
(1) Included Content fit on Triangle & Square Shade Sail



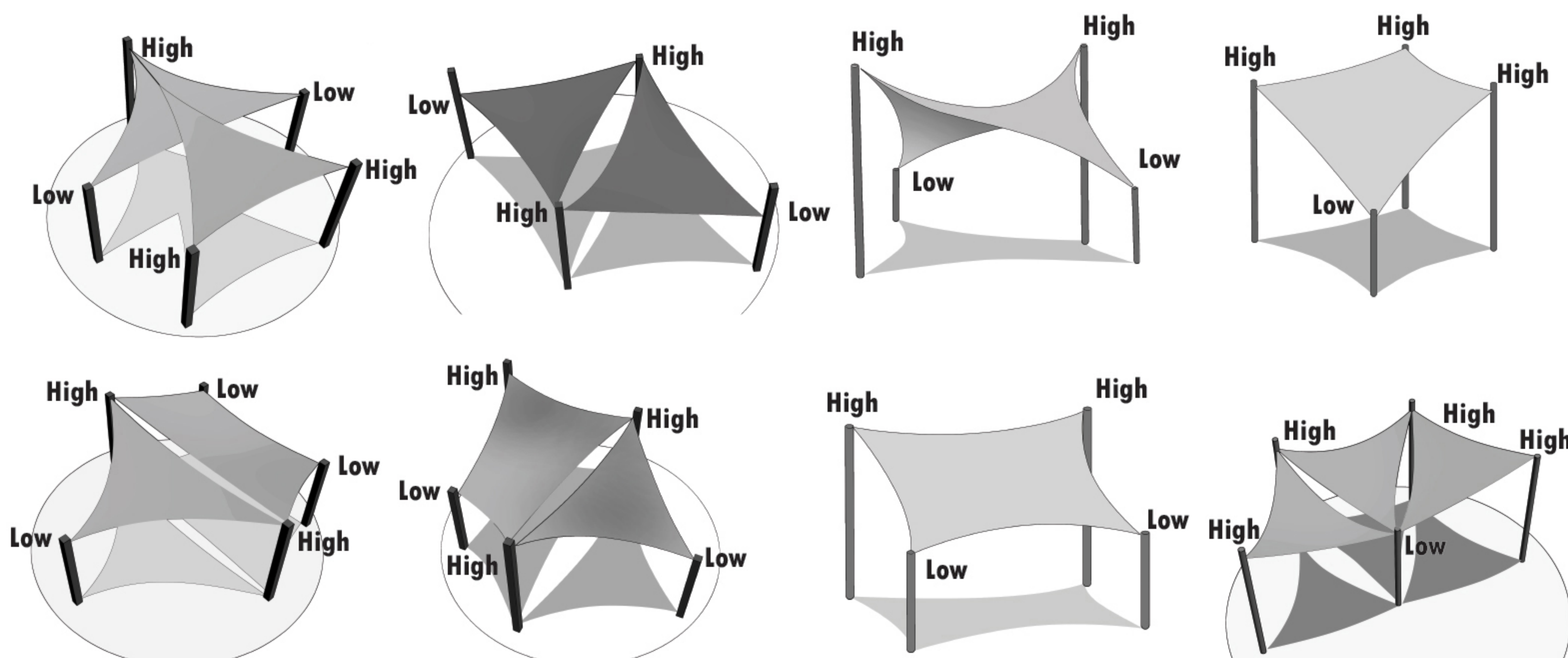
(2) Optional Accessories



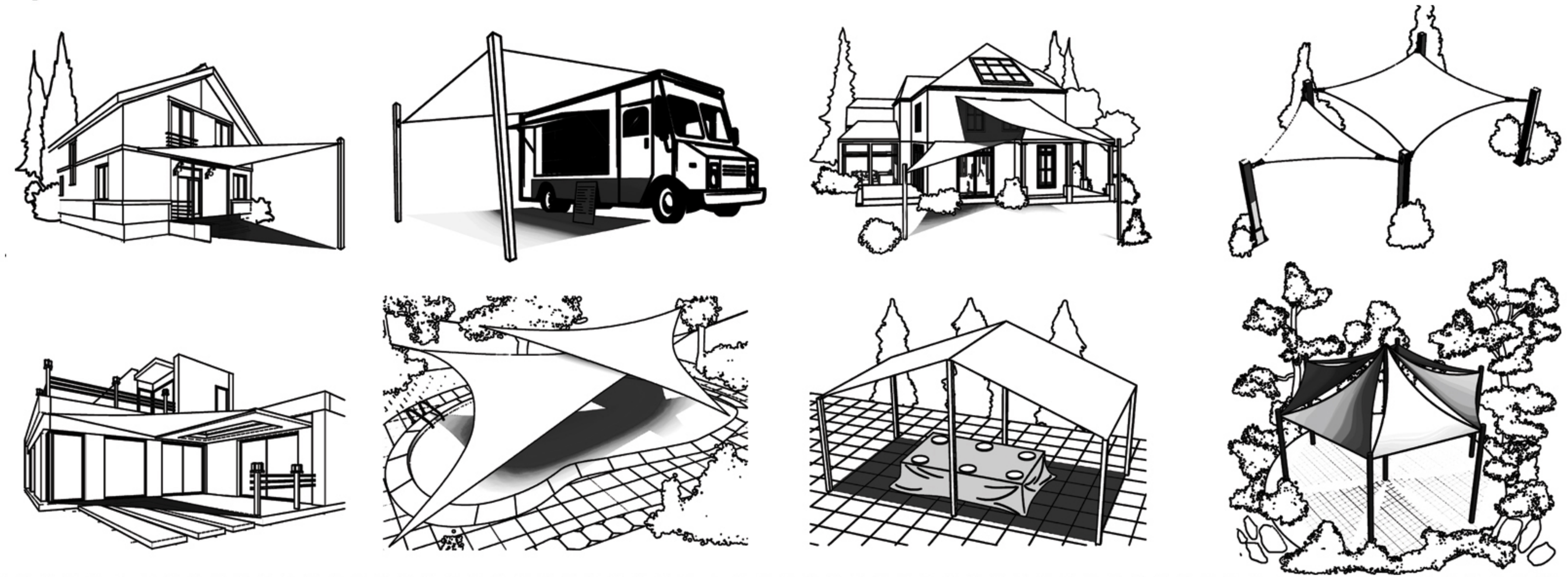
(3) Feature:



2, LAYOUT GUIDE

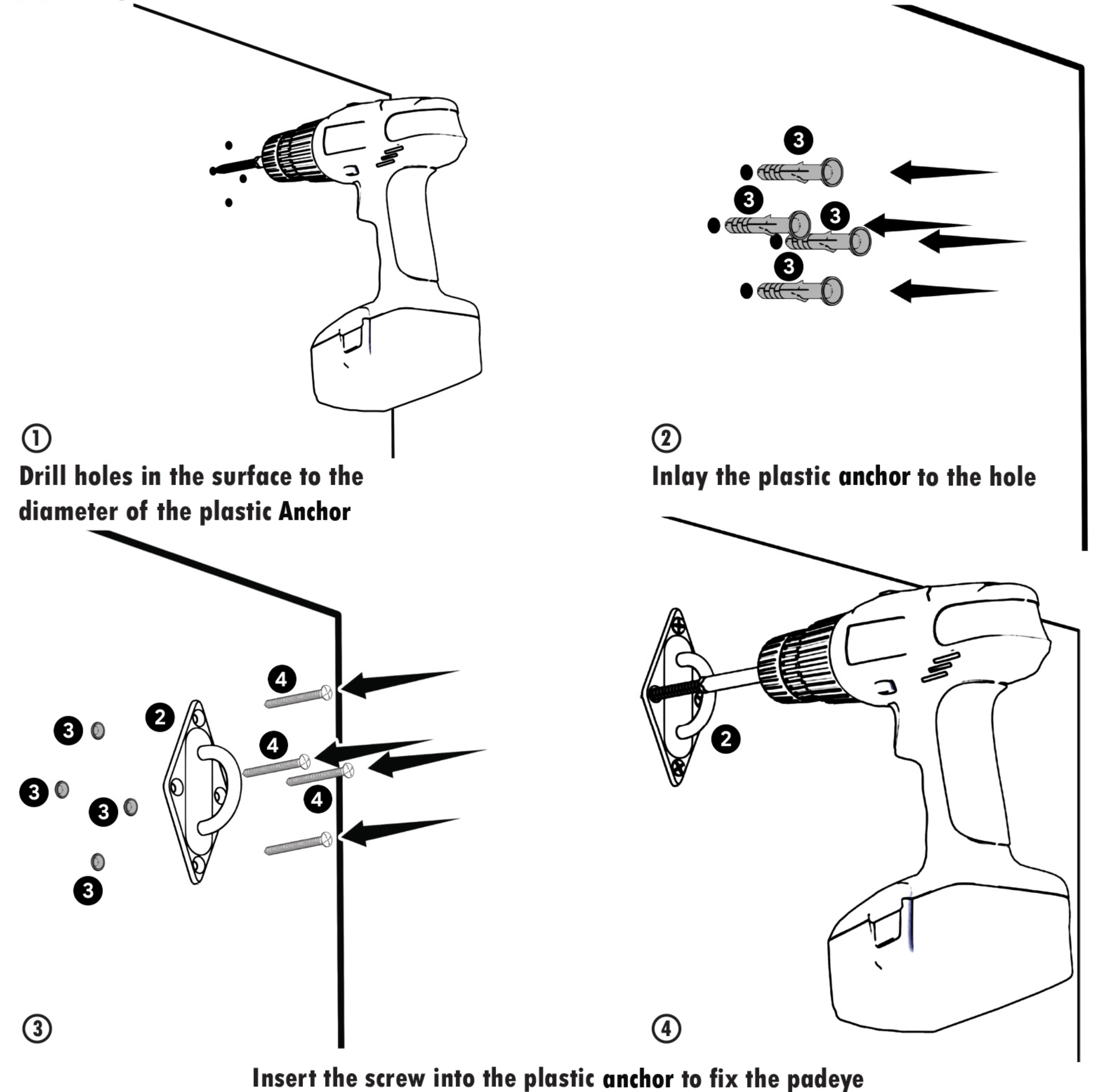


3, INSTALLATION SCENERY

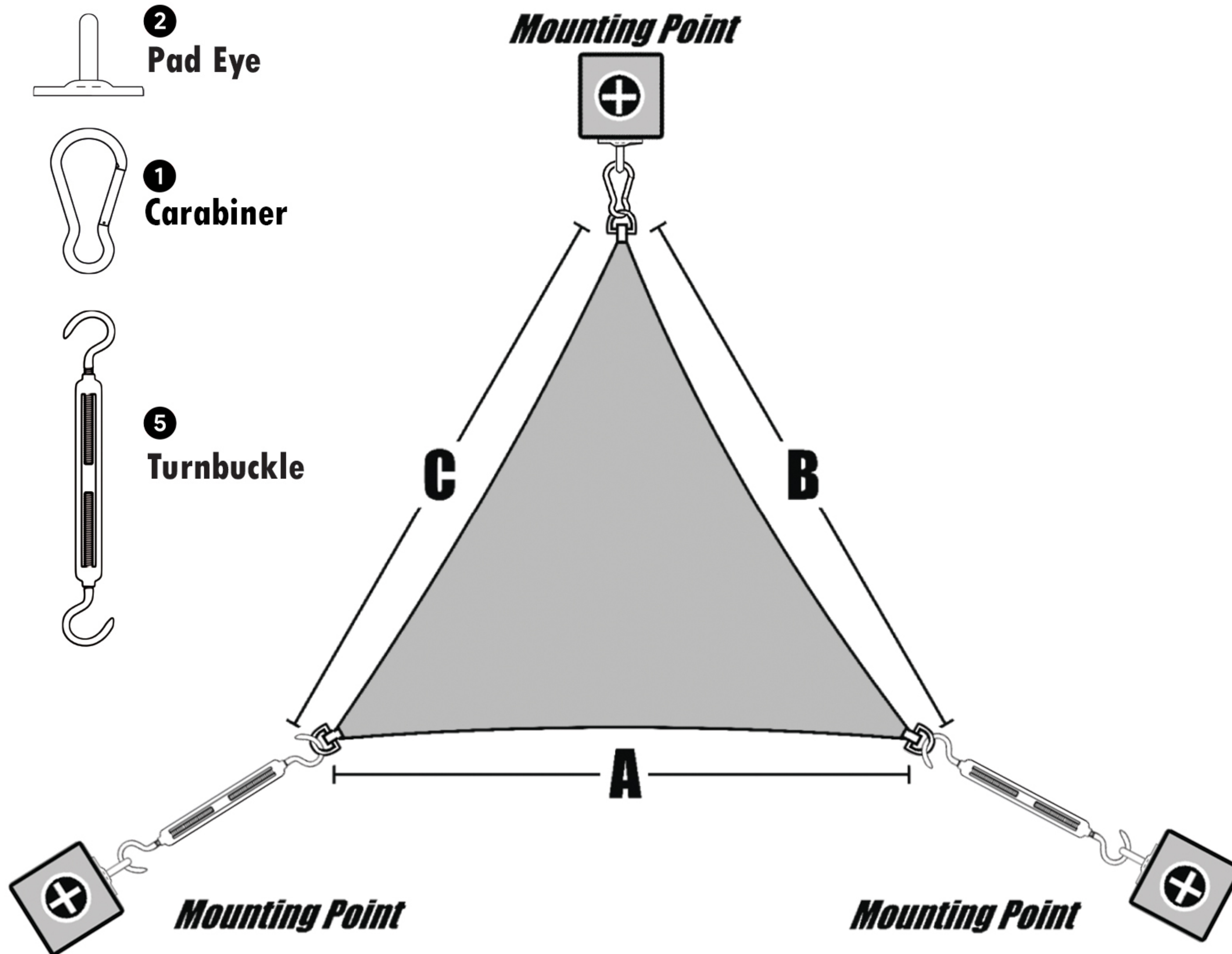
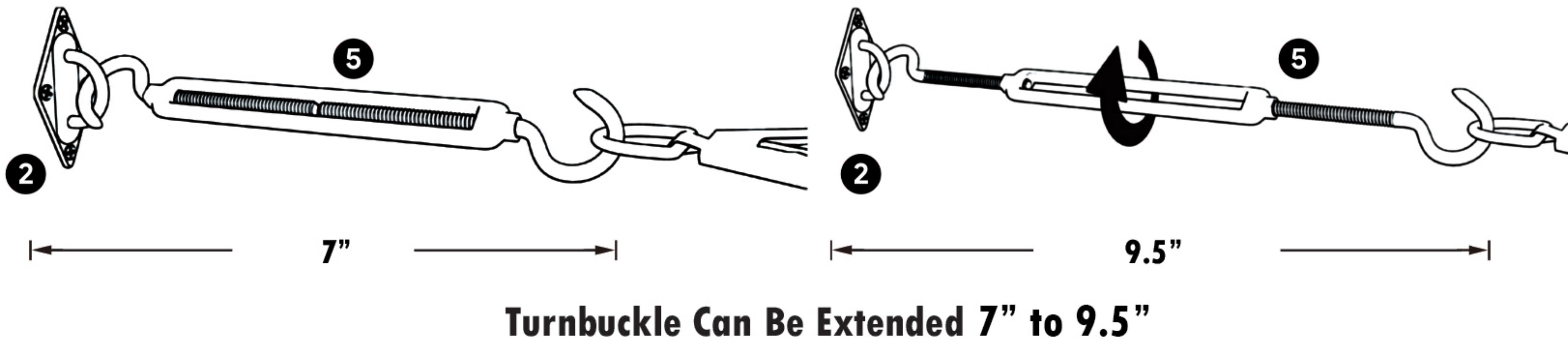


4, ASSESSORIES INSTALLATION

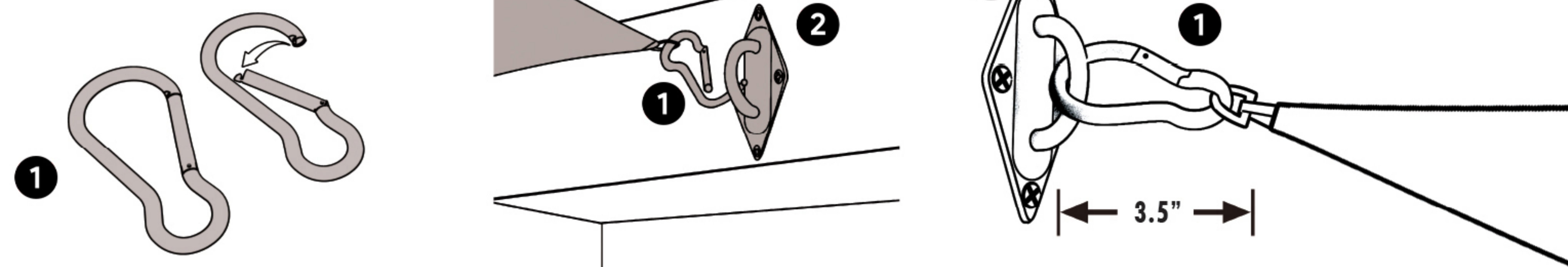
(1) Padeye Installation



(2) Tighter for Better Fit & Proper Install

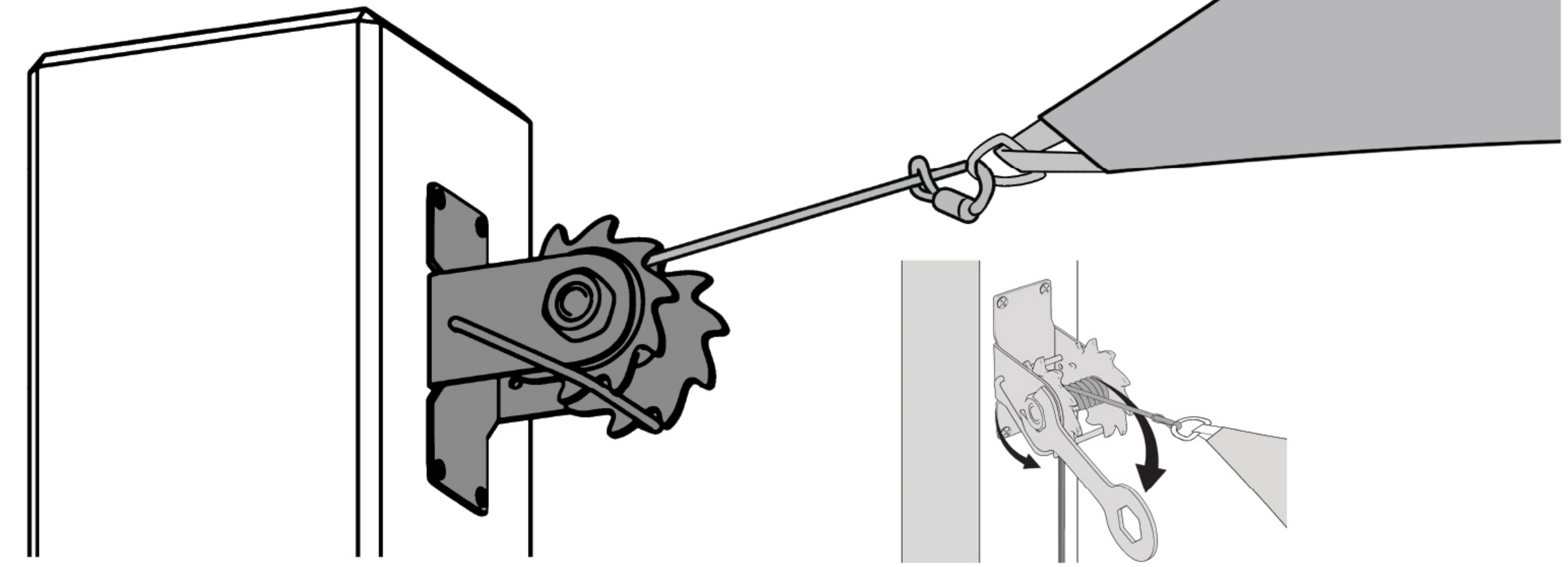


(3) Carabiner Placement

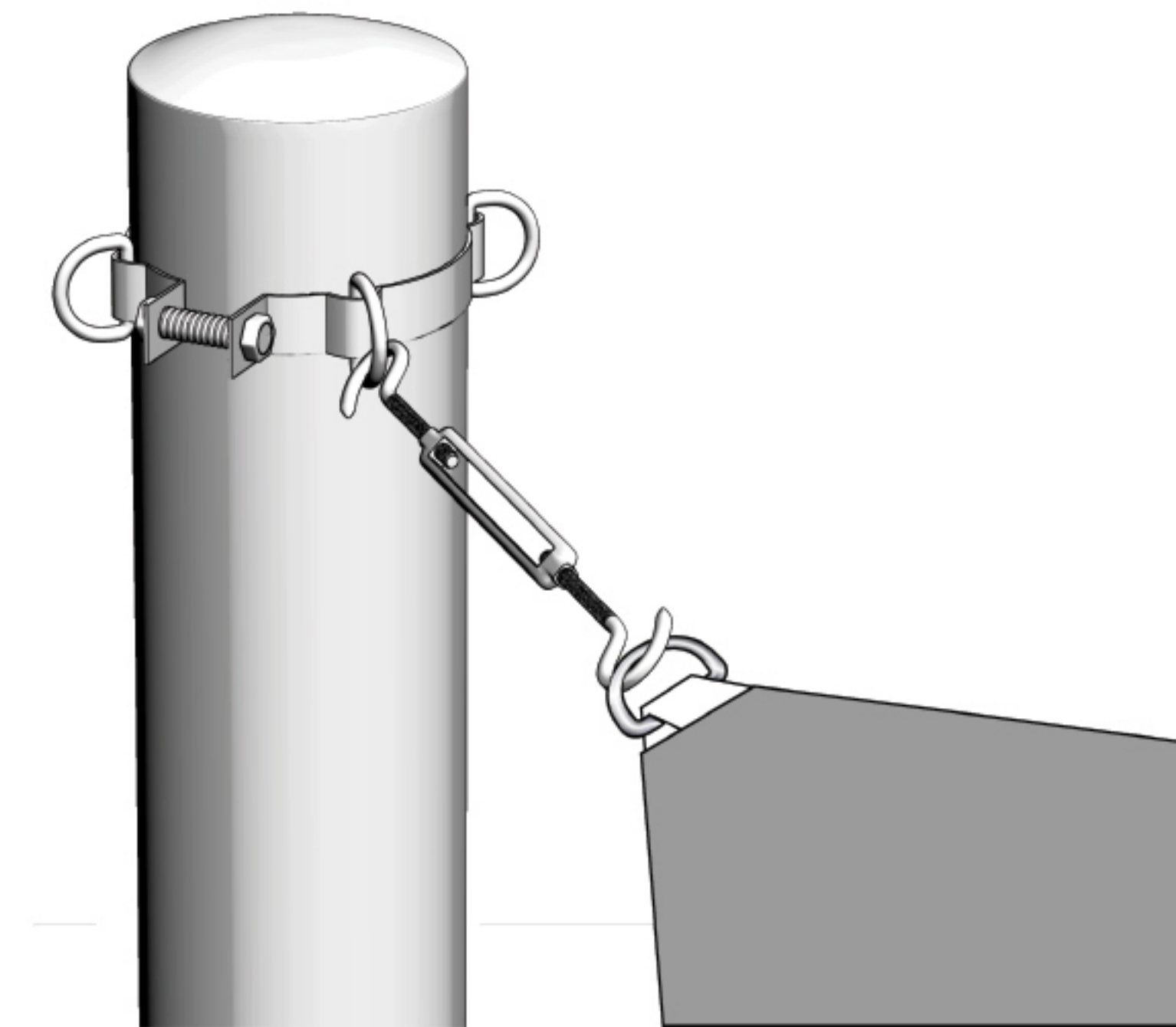


5, ADDITIONAL WAYS TO INSTALL

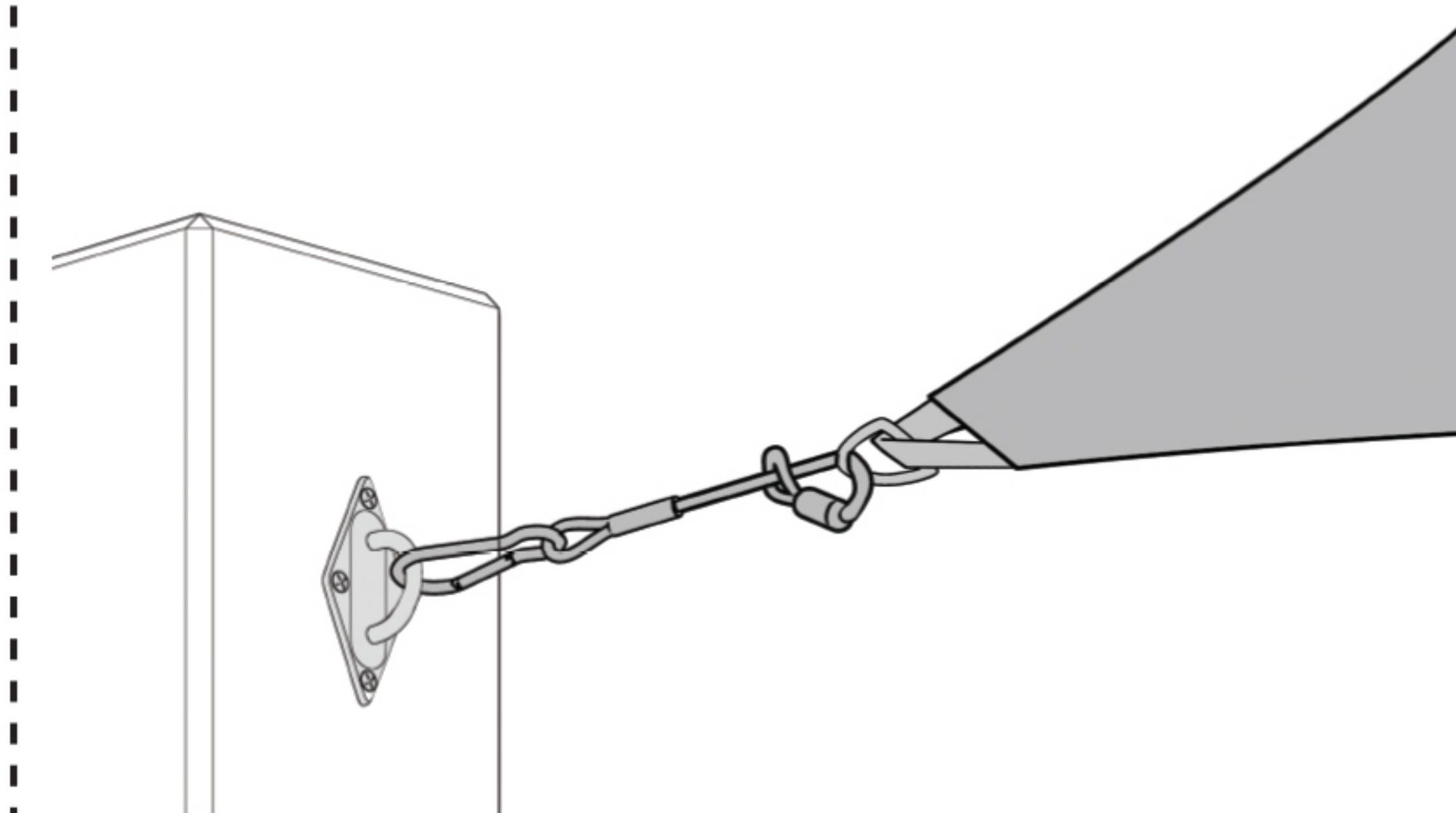
(1) Winch Provides Easy Way To Connect & Taut



(2) Pole Gives You Ability To Create Mounting Points



(3) The Wire Rope Is Pulled Taut and Secured



6, DISCLAIMER

End-User License Agreement ("Agreement")

Please read all instructions before beginning installation. These guidelines are provided in good faith to help prevent any problems caused by errors in installation. The manufacturer of this product shall not be held responsible for installation actions taken or not taken. There are many details of installation that are assumed to be general construction knowledge to experienced installers; which are not included in these instructions. These installation guidelines are intended to be strictly recommendations and are not to serve as a step-by-step, fail safe installation checklist. Selection of an experienced installer is the sole responsibility of the project owner and architect.

We DO NOT accept any responsibility for job failure resulting from or associated with improper site environmental conditions and installation failure due to expansion contraction issues.