



ATOSA CATERING EQUIPMENT INC.

"WE MAKE THE KITCHEN BETTER!"

Toll Free: 855-855-0399 Email: info@atosausa.com
 www.atosa.com / www.atosausa.com
 California, Colorado, Florida, Georgia, Illinois,
 Massachusetts, New Jersey, Ohio, Texas, Washington

Ice Machine YR280-AP-161

Standard Features

- Up to 283 lbs. production ice machine (per 24 hrs)
- Built-in storage capacity of 88 lbs. (under counters)
- Durable Stainless steel exterior
- Slanted black plastic bin door
- Ice scoop included
- Height includes leg levelers
- Air cooled condenser
- Removable air filter
- Power switch accessible without panel removal
- For freestanding or built-in applications
- Requires use of a drain. Water filter recommended
- NSF listed



HALF-DICED
CUBE



WXDXH (IN.)
3/8 x 7/8 x 7/8

INLET HOSE



DRAIN HOSE



ICE SCOOPER



Model	Type	Exterior Dimension	Gross Weight	Power	Ice-making Capacity	Voltage	Rated Current	Legs	Refrigerant
YR280 AP-161	Cube Ice	23.5x28.5x38.6	187.39 lbs.	704 w	283 lbs / 24 hr	115V60Hz	7.2	6 in.	R290

Ice Machine Comparison

Model	Type	Exterior Dimension	Gross Weight	Power	Ice-making Capacity	Voltage	Rated Current	Legs	Refrigerant
YR140-AP-161	Cube ice	23.5x28.5x38.6	176.3 lbs	363 w	142 lbs. 24hr	115V60Hz	3.1	6 in.	R290
YR450-AP-161	Cube ice	30.2x24.45x21.7	158 lbs	965 w	460 lbs. 24hr	115V60Hz	9.6	6 in.	R290
YR800-AP-261	Cube ice	30.2x24.45x31.7	231 lbs	1750 w	810 lbs. 24hr	220V60Hz	9	6 in.	R-404a

1. Don't forget to leave the unit some room to breathe!
2. Please clean the condenser frequently to give the unit more fresh air.



2 YRS WARRANTY ON ALL PARTS AND LABOR (US ONLY)
 5 YRS WARRANTY ON COMPRESSOR (US ONLY)





ATOSA CATERING EQUIPMENT INC.

“WE MAKE THE KITCHEN BETTER!”

Toll Free: 855-855-0399 Email: info@atosausa.com

www.atosa.com / www.atosausa.com

California, Colorado, Florida, Georgia, Illinois,

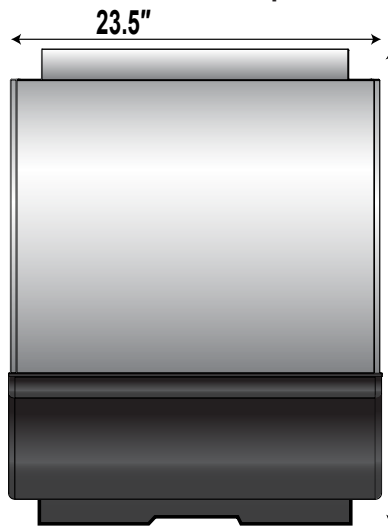
Massachusetts, New Jersey, Ohio, Texas, Washington

PLAN VIEW

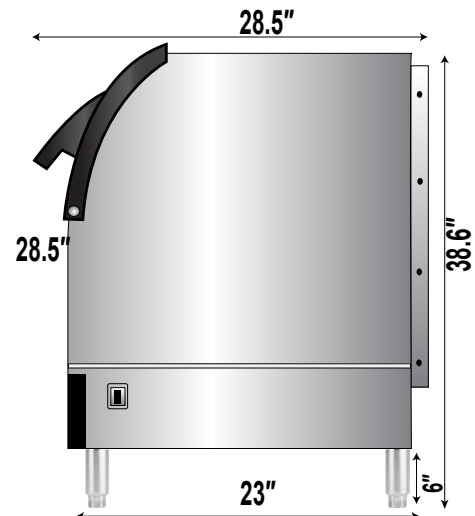
YR280-AP-161 Front View



YR280-AP-161 Top View



YR280-AP-161 Side View



Terms and Conditions

2 YEAR WARRANTY

All claims for parts or labor must be made directly through Atosa. All claims must include: model number of the unit, the serial number, proof of purchase, date of installation, and all pertinent information supporting the alleged defect. In case of compressor replacement under warranty, either compressor or compressor tag must be returned to Atosa along with above listed information.

Failure to comply with warranty policies will result in voiding claims.

Two Year Parts & Labor Warranty

Atosa warrants all new refrigerated components, such as the cabinet and all parts, to be free from defects in materials or workmanship. Atosa's obligation under this warranty is limited to a period of two (2) years from the date of original installation or 27 months after shipment date from Atosa, whichever occurs first. All parts covered under this warranty that are defective within two (2) years of original installation or twenty seven (27) months after shipment date from manufacturer, whichever occurs first, are limited to repair or replacement (including labor charges, of defective parts or assemblies). The labor warranty shall include standard straight time labor charges only and reasonable travel time, as determined by Atosa.

Additional Three Year Compressor Warranty

In addition to the two (2) year warranty stated above, Atosa warrants its sealed compressor to be free from defects in both material and workmanship under normal and proper use and maintenance service for a period of three (3) additional years from the date of original installation, but not to exceed five (5) years. Compressors that have been determined to be defective from Atosa within this extended period will be either repaired or replaced with a compressor or compressor parts of similar design and capacity according to Atosa's discretion. The three (3) year extended compressor warranty applies only to sealed parts of the compressor and does not apply to any other parts or components. This includes, the cabinet, paint finish, temperature control, refrigerant, metering device, motor starting equipment, fan assembly, and other electrical components, etc.

R290 Compressor Warranty

The five-year compressor warranty detailed above will be void if the following procedure is not carefully adhered to:

1. This system contains R290 refrigerant and lubricant. The lubricant has rapid moisture absorbing qualities.
2. Drier replacement is very important and must be changed when a system is opened for servicing.
3. Micron level vacuums must be achieved to insure low moisture levels in the system.
4. Compressor must be obtained through Atosa, unless otherwise specified in writing, through Atosa's warranty department.

What is Not Covered by This Warranty

Atosa's sole obligation under this warranty is limited to either repair or replacement of parts, subject to the additional limitations below. This warranty neither assumes nor authorizes any person to assume obligations other than those expressly covered by this warranty.

ROUTINE MAINTENANCE REQUIREMENTS MUST BE FOLLOWED OR WARRANTY IS VOID NO CONSEQUENTIAL DAMAGES: ATOSA IS NOT RESPONSIBLE FOR ECONOMIC LOSS; PROFIT LOSS; OR SPECIAL, INDIRECT, OR CONSEQUENTIAL DAMAGES, INCLUDING WITHOUT LIMITATION, LOSSES, OR DAMAGES ARISING FROM FOOD OR PRODUCT SPOilage, REGARDLESS OF WHETHER OR NOT THEY RESULT FROM REFRIGERATION FAILURE.

WARRANTY IS NOT TRANSFERABLE: This warranty is not assignable and applies only in favor of the original purchaser/user to whom delivered. ANY SUCH ASSIGNMENT OR TRANSFER SHALL VOID THE WARRANTIES HEREIN AND SHALL VOID ALL WARRANTIES, EXPRESS OR IMPLIED, INCLUDING ANY WARRANTY OF MERCHANTABILITY OR LABOR COVERAGE FOR COMPONENT FAILURE OR OTHER THE WARRANTY PACKET PROVIDED WITH THE UNIT.

ALTERATION, NEGLIGENCE, ABUSE, MISUSE, ACCIDENT, DAMAGE DURING TRANSIT OR INSTALLATION, FIRE, FOOD, OR ACTS OF GOD: Atosa is not responsible for the repair or replacement of any parts that are determined to have been subjected after the date of manufacture to alteration, neglect, abuse, misuse, accident, damage during transit or installation, fire, flood, or act of God.

IMPROPER ELECTRICAL CONNECTIONS: Atosa IS NOT RESPONSIBLE FOR THE REPAIR OR REPLACEMENT OF FAILED OR DAMAGED COMPONENTS RESULTING FROM ELECTRICAL POWER FAILURE, THE USE OF EXTENSION CORDS, LOW VOLTAGE, OR VOLTAGE DROPS TO THE UNIT.

THE TWO (2) YEAR PARTS & LABOR WARRANTY AND THE ADDITIONAL THREE (3) YEAR COMPRESSOR WARRANTY ARE AS DESCRIBED ABOVE. THESE WARRANTIES ARE EXCLUSIVE AND IN LIEU OF ALL OTHER WARRANTIES, INCLUDING IMPLIED WARRANTY AND MERCHANTABILITY OR FITNESS FOR A PARTICULAR PURPOSE. THERE ARE NO WARRANTIES WHICH EXTEND BEYOND THE DESCRIPTION ON THE FACE HEREOF.

Outside U.S. and Canada: This warranty does not apply to areas outside the continent of the United States. Alaska, Hawaii and all US territories are excluded from this warranty. Atosa is not responsible for any warranty claims made on products sold or used in such areas.

In some cases, a 25 % restocking fee may be charged to a buyer for returned items.