

Undercounter Ice Maker

KCU-80-AB

Durable Design

- Created to endure the every day use of your commercial environment
- Simple plug-in installation
- Fits easily under standard countertops
- High quality construction to ensure reliability, longevity and product durability
- 4.5" adjustable stainless steel feet included (can be adjusted to a height of 6" high)

Energy Efficiency

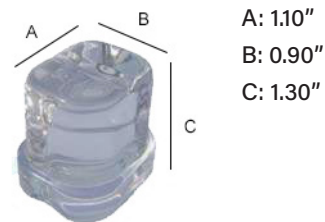
- High density urethane insulation reduces the ice melting inside the bin
- Improved evaporator freezing surface allowing for increased production and lower operating costs

Superior Quality

- Designed for efficiency and dependability
- Stainless steel exterior for superior resilience to rust
 - * 50Hz model comes in a powder coated exterior for superior resilience to rust
- Simple to use
- Control board with on-board self-diagnostics
- Internal safety switches monitor and protect the refrigeration system
- Easy maintenance - removable bin cover allows for easy access to the inner components
- Up to 73 lbs of ice production per 24 hrs
- 29 lbs of ice storage
- Ice scoop included
- 10 foot cord set with a NEMA 5-15P
 - *50 Hz comes without a cord set or plug



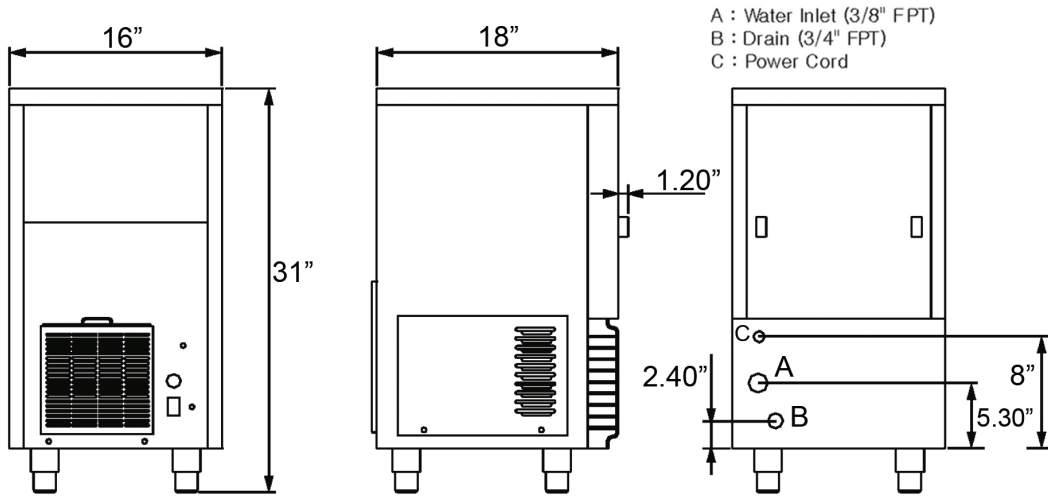
Bell/Gourmet Cube Dimension



5659 Royalmount Ave.
Montreal, QC, Canada H4P 2P9
Telephone: 514.737.9701 / Toll Free: 888.275.4538
Fax: 514.342.3854 / Toll Free: 877.453.8832
sales@mvpgroupcorp.com / mvpgroupcorp.com

| | |
|---------------|------|
| Project Name: | |
| Location: | |
| Item: | Qty: |
| Model: | |

12000 Biscayne Blvd., Suite # 108
Miami, FL, United States 33181
Telephone: 786.600.4687 / Toll Free: 844.218.8477
Fax: 786.661.4100



A : Water Inlet (3/8" FPT)
 B : Drain (3/4" FPT)
 C : Power Cord



24 Hour Volume Production

| Air | Water | Production 60 Hz | Production 50 Hz |
|-------------|-------------|------------------|------------------|
| 70°F / 21°C | 50°F / 10°C | 73 lbs | 63 lbs |
| 90°F / 32°C | 70°F / 21°C | 57 lbs | 48 lbs |



Operating Requirements

| | Min | Max |
|--------------------|-------------|--------------|
| Air Temperatures | 50°F / 10°C | 100°F / 38°C |
| Water Temperatures | 41°F / 5°C | 90°F / 32°C |
| Water Pressure | 14 PSI | 80 PSI |
| Electrical Voltage | - 8% | + 10% |



Specifications

| Model Number | Storage Capacity lb / kgs | Electrical V / Hz / Ph | BTU's per Hour | Max Fuse Size or HACR Circuit Breaker Amps | Net Weight lb / kgs | Shipping Weight lb / kgs | Refrigerant |
|--------------|---------------------------|------------------------|----------------|--|---------------------|--------------------------|-------------|
| KCU-80-AB | 29 / 13 | 115 / 60 / 1 | 1600 | 15 A | 86 / 39 | 97 / 44 | R-134a |
| | | 230 / 50 / 1* | 1400 | 15A | 84 / 38 | 93 / 42 | R-134a |

*Unit comes without a cord set or plug. Unit to be connected per local electrical codes.

| Electrical V / Hz / Ph | Energy Consumption kWh / 100 lb 90°F (32°C) / 70°F (21°C) | Water Usage / 100 lb of ice @ 90°F air / 70°F water | Plumbing |
|------------------------|---|---|----------------------------------|
| 115 / 60 / 1 | 11.21 kWh | 25 gallons / 95 litres | Water Inlet: 3/8" Drain: 3/4" |
| 230 / 50 / 1* | 11.28 kWh | 25 gallons / 95 litres | Water Inlet: 3/8" Drain: 3/4" |

Dimensions (W x D x H in inches)

Cabinet: 16" x 18" x 31"
 Shipping: 20.50" x 24.25" x 31.50"
 Clearance around the unit: left and right: 1", top: 2", rear: 4"
 Do not place near ovens, grills or any high heat producing equipment

Warranty: 3 years parts and labor

Compressor: 5 years parts and 3 years labor

Valid in United States, Canada & Puerto Rico. Please contact factory for warranty in other countries.

Kool-It is a registered trademark of MVP Group.
 Specifications and design are subject to change without prior notice

Replace the filters every 6 months with part #KTI-5



5659 Royalmount Ave.
 Montreal, QC, Canada H4P 2P9
 Telephone: 514.737.9701 / Toll Free: 888.275.4538
 Fax: 514.342.3854 / Toll Free: 877.453.8832
 sales@mvpgroupcorp.com / mvpgroupcorp.com



12000 Biscayne Blvd., Suite # 108
 Miami, FL, United States 33181
 Telephone: 786.600.4687 / Toll Free: 844.218.8477
 Fax: 786.661.4100