

**REFRIGERATOR MANUFACTURER**  
**Turbo air**  
 more durable, efficient, beautiful

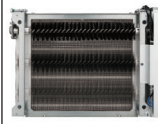
4184 E. Conant St.  
 Long Beach, CA 90808  
 Tel. 310-900-1000  
 Fax. 310-900-1077  
[www.turboairinc.com](http://www.turboairinc.com)

Project:	
Model #:	
Item #:	
Available W/H:	Qty:
Approval:	
AIA #:	SIS #:
CSI Section 11400	

## Bakery Display Cases

Refrigerated  
 Bakery Cases

### Patented Self-Cleaning Condenser



This product is equipped with a fine mesh filter to the front of the condenser to catch dust, and a rotating brush that moves up and down daily to remove excess buildup outward and away.

**Model : TBP60-46NN-W(B)**



**TBP60-46NN-W**



**TBP60-46NN-B**

### ≡ FEATURES & BENEFITS ≡

#### ■ Self-Cleaning Condenser

The accumulation of dust in the condenser can cause the failure or breakdown of refrigerators. Refrigerators run normally until they reach a certain level of accumulation. At some point, when they are over the limit, their performance drops quickly resulting in damage to, or disposal of the stored products inside. The Self-Cleaning Condenser device keeps the condenser clean and prevents system failure by automatically brushing daily.

#### ■ Hydrocarbon refrigerants (R-290)

With innovative and eco-friendly technology, Turbo Air brings you hydrocarbon refrigerators designed to meet DOE's Energy Conservation Standards in 2017 and to use EPA's SNAP Program approved HC refrigerants. Hydrocarbon refrigerants do not deplete the ozone layer and have very low contribution to global warming (ODP-0, GWP-3).

#### ■ Attractive, elegant, glass sided Euro design

Straight, tempered front & side glass with minimal frame provide full product visibility to optimize display effects. Its elegant contemporary euro design and luxurious colored case will not only enhance any store atmosphere but also will keep product presentation at its best and most beautiful.

#### ■ High-density polyurethane insulation

The entire cabinet structure is foamed-in-place using high density, CFC free polyurethane insulation.

#### ■ Digital temperature controller

#### ■ Double pane glass is tempered for safety (Front heated glass)

#### ■ Exterior is white (black) powder coated

#### ■ Adjustable, tempered glass shelf with AL front and back edges

#### ■ Bottom glass shelf is white with a mirror finish

#### ■ Stainless steel airflow grille

#### ■ Sliding rear doors for product loading & unloading

#### ■ Rear access to compressor compartment for quick and easy service

NATURAL  
 Refrigerant

ETL  
 Intertek


ETL  
 Intertek

2 YEAR  
 WARRANTY

Compressor  
 5 YEAR  
 WARRANTY  
 U.S.A. 0007

Model	CU./FT.	# of Shelves	HP	AMPS	Watt (W)	Crated Weight (lbs.)	L x D x H* (inches)
<b>TBP60-46NN-W(B)</b>	<b>15.7</b>	<b>1</b>	<b>3/4</b>	<b>6.5</b>	<b>747.5</b>	<b>665</b>	<b>59 x 27 1/2 x 44</b>

## Model : TBP60-46NN-W(B)

ELECTRICAL DATA	
Voltage	115/60/1
Plug Type	 NEMA 5-15P
Full Load Amperes	6.5
Watt (W)	747.5
Compressor HP	3/4
Cord Length (ft.)	8 1/4
Refrigerant	R-290
DIMENSIONAL DATA	
Net Capacity (cu. ft.)	15.7
Ext. Length Overall (in.)	59 (1500mm)
Ext. Depth Overall (in.)	27 1/2 (700mm)
Ext. Height Overall (in.)*	44 (1118mm)
Shelf Size (L x D) (in.)	56 x 15
# of Shelves	1
Net Weight (lbs.)	445
Gross Weight (lbs.)	665

Design and specifications subject to change without notice.

Actual shipping weight may differ due to extra packing materials for product protection.

\* Height does not include 2-1/4" for caster height.

- **WARRANTY :** 2 Year Parts and Labor Warranty  
Additional 3 Year Warranty on Compressor

### STANDARD FEATURES

- Self-contained system, no plumbing required
- Safety shielded LED interior lighting
- White and black color come standard
- 3" dia. swivel casters with locks on the rear set

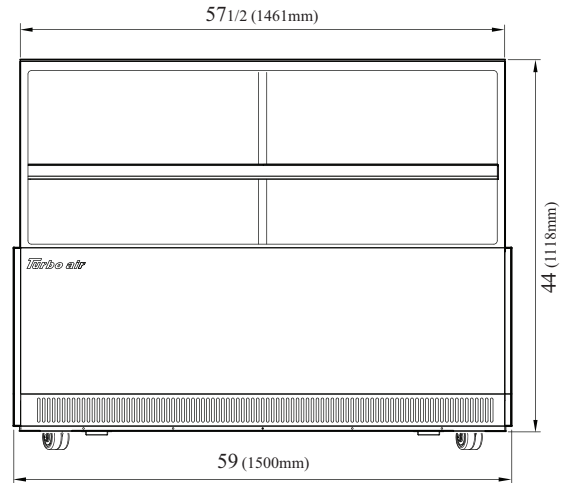
\*\* Lead time applies. Please contact your sales representative for more details to order.

### Recommended operating conditions

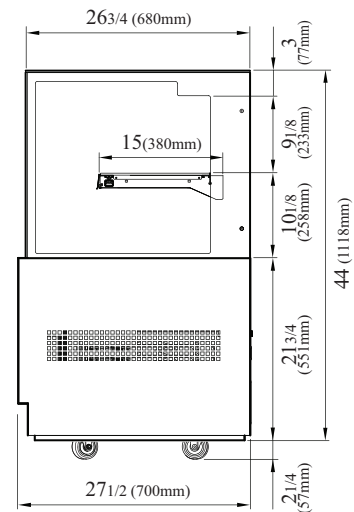
TBP models are designed to operate in an environment where temperature & humidity do not exceed 75°F and 55% respectively.

## PLAN VIEW

(unit : inch)



FRONT VIEW



SIDE VIEW

Ver.20230818

NATURAL  
Refrigerant



- Turbo Air : 800-627-0032
- GK : 800-500-3519
- Warranty : 800-381-7770
- AC : 888-900-1002

REFRIGERATOR MANUFACTURER  
**Turbo air**

GERMAN  
KNIFE

RADIANCE

REFRIGERATION SYSTEM  
**Turbo air**

**Texaking**

Continued product development may necessitate specification changes without notice.