

Residential Undercounter Ice Maker KRU-70-AB

Durable Design

- Created to endure everyday use
- High quality construction to ensure reliability, longevity and product durability
- SS304 durable and rust resistant exterior
- Designed to be installed into standard cabinet size 18" x 28" x 36" (W x D x H)

Energy Efficiency

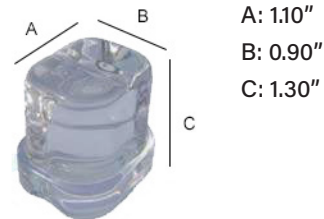
- High density urethane insulation reduces the ice melting inside the bin
- Improved evaporator freezing surface allowing for increased production and lower operating costs

Superior Quality

- Designed for efficiency and dependability
- Stainless steel exterior for superior resilience to rust
- Simple to use
- Internal safety switches monitor and protect the refrigeration system
- Up to 69 lbs of ice production per 24 hrs
- 26 lbs of ice storage
- Gourmet ice melts slowly for craft cocktails
- Ice scoop included
- 10 foot cord set with a NEMA 5-15P



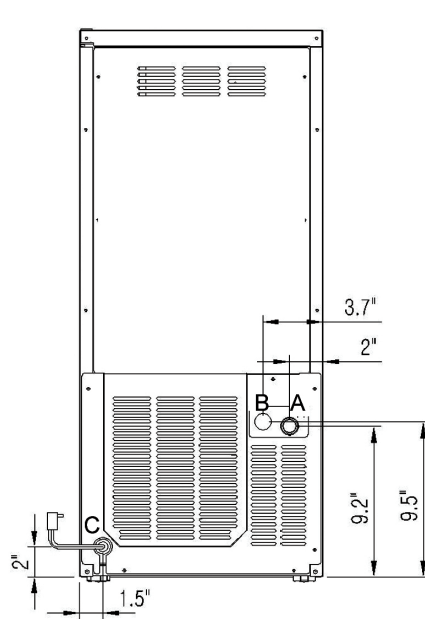
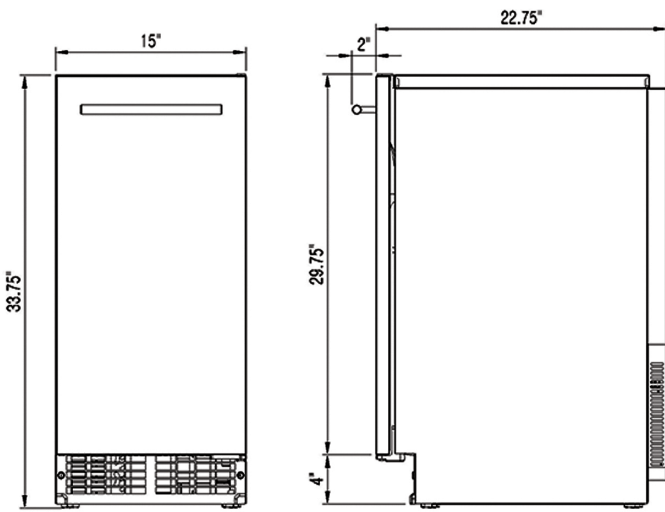
Bell/Gourmet Cube Dimension



5659 Royalmount Ave.
Montreal, QC, Canada H4P 2P9
Telephone: 514.737.9701 / Toll Free: 888.275.4538
Fax: 514.342.3854 / Toll Free: 877.453.8832
sales@mvpgroupcorp.com / mvpgroupcorp.com

12000 Biscayne Blvd., Suite # 108
Miami, FL, United States 33181
Telephone: 786.600.4687 / Toll Free: 844.218.8477
Fax: 786.661.4100

Project Name:	
Location:	
Item:	Qty:
Model:	



A : Water Inlet (3/8" FPT)
 B : Drain (3/4" FPT)
 C : Power Cord



24 Hour Volume Production

Air	Water	Production
70°F / 21°C	50°F / 10°C	69 lbs
90°F / 32°C	70°F / 21°C	50 lbs



Operating Requirements

	Min	Max
Air Temperatures	41°F / 5°C	100°F / 38°C
Water Temperatures	41°F / 5°C	90°F / 32°C
Water Pressure	14 PSI	80 PSI
Electrical Voltage	- 8%	+ 10%
	115 / 60 / 1	



Specifications

Model Number	Storage Capacity lb / kgs	Electrical V / Hz / Ph	BTU's per Hour	Max Fuse Size or HACR Circuit Breaker Amps	Net Weight lb / kgs	Shipping Weight lb / kgs	Refrigerant
KRU-70-AB	26 / 12	115 / 60 / 1	1600	15 A	104 / 47	119 / 54	R-134a

Energy Consumption kWh / 100 lb 90°F (32°C) / 70°F (21°C)	Water Usage / 100 lb of ice @ 90°F air / 70°F water	Plumbing
10.2 kWh	24 gallons / 91 litres	Water Inlet: 3/8" Drain: 3/4"

Dimensions (W x D x H in inches)

Cabinet: 15" x 22.75" x 33.75"

Shipping: 17.75" x 27.50" x 38.50"

Clearance around the unit: left, and right: 1", top: 2", rear: 4"

Do not place near ovens, grills or any high heat producing equipment

Warranty: 1 year parts and labor

Valid in United States, Canada & Puerto Rico.

Please contact factory for warranty in other countries.

Kool-it is a registered trademark of MVP Group.

Specifications and design are subject to change without prior notice



5659 Royalmount Ave.
 Montreal, QC, Canada H4P 2P9
 Telephone: 514.737.9701 / Toll Free: 888.275.4538
 Fax: 514.342.3854 / Toll Free: 877.453.8832
 sales@mvpgroupcorp.com / mvpgroupcorp.com

Replace the filters every 6 months with part #KTI-5



12000 Biscayne Blvd., Suite # 108
 Miami, FL, United States 33181
 Telephone: 786.600.4687 / Toll Free: 844.218.8477
 Fax: 786.661.4100