



URC(-F)/SRC/SRK(-H/-J)

REMOTE CONDENSER SERIES



URC(-F)/SRC/SRK(-H/-J)
02/05/20
Item # 13084

	Ice Machines	Shipping Weight	Line Sets - PRE-CHARGED		
			20' Length	35' Length	55' Length
URC-5F	KM-520MRJ, KM-660MRJ, KMD-530MRJ, FD-650MRJ-C, F-1002MRJ(-C), FD-1002MRJ-C	90 Lbs.	R404-2046-2	R404-3546-2	N/A
URC-9F	KML-700MRJ, KMD-860MRJ,	90 Lbs.	R404-2068-2	R404-3568-2	R404-5568-2
URC-14F	KM-901MRJ(3), KM-1100MRJ, KM-1301SRJ(3), KM-1340MRJ(3) F-1501MRJ(-C)	100 Lbs.	R404-2068-2	R404-3568-2	R404-5568-2
URC-22F	KM-1601MRJ(3), KM-1601SRJ(3), KM-1900SRJ(3) KM-2200SRJ3, KMH-2100SRJ(3), F-2001MRJ(3)(-C)	130 Lbs.	R404-20610	R404-35610	R404-55610
URC-26J	KM-2600SRJ3	150 Lbs.	R404-20610	R404-35610	R404-55610

		Shipping Weight	Line Sets - BRAZING REQUIRED		
			25' Length	35' Length	55' Length
SRC-10J	FS-1001MLJ-C, FS-1022MLJ-C	200 Lbs.	HS-5299*	HS-5300*	HS-5301*
SRC-14J	FS-1500MLJ-C	220 Lbs.	HS-5323*	HS-5324*	HS-5325*
SRK-10J	KMS-822MLJ, KMS-830MLJ	230 Lbs.	HS-0250*	HS-0251*	HS-0252*
SRK-12J SRK-12J3	KMS-1122MLJ	275 Lbs.	HS-0250*	HS-0251*	HS-0252*
SRK-15J SRK-15J3	KMS-1402MLJ	275 Lbs.	HS-0250*	HS-0251*	HS-0252*
SRK-20J SRK-20J3	KMS-2000MLJ	345 Lbs.	HS-0243*	HS-0244*	HS-0245*

* Line sets require Refrigerant



URC-9F



SRK-15J

- Remote condensers for KM Series Cubers and F Series Flakers / Cubelets
- Quiet operation
- Improved efficiency; Energy savings
- Weather resistant cabinet for longer life
- May be installed outdoors up to 55 feet from icemaker using a pre-charged tubing kit
- For installations exceeding 55 feet, contact Factory Service Department

Warranty

Valid in United States, Canada, Puerto Rico, & U.S. Territories.
Contact factory for warranty in other countries

When used with KM Series Cubers:

Three Year - Parts & Labor on entire unit.

Five Year - Parts on; air-cooled condenser coil.

Five Year - Parts on; SRK Compressor

When used with F Series Flakers:

Three Year - Parts & Labor on entire unit.

Five Year - Parts on; air-cooled condenser coil.

Five Year - Parts on; SRC Compressor

Hoshizaki reserves the right to change specifications without notice.





URC(-F)/SRC/SRK(-H/-J)

REMOTE CONDENSER SERIES



URC(-F)/SRC/SRK(-H/-J)
02/05/20
Item # 13084

Electrical & Operating Limits

URC-5F / URC-9F / URC-14F / URC-22F / URC-26J

- 115V/60/1 (Connection to icemaker)
- Ambient Temp Range -20° - 122°F
- Voltage Range 104 - 127V

SRK-10J / SRK-12J(3) / SRK-15J(3) / SRK-20J(3)

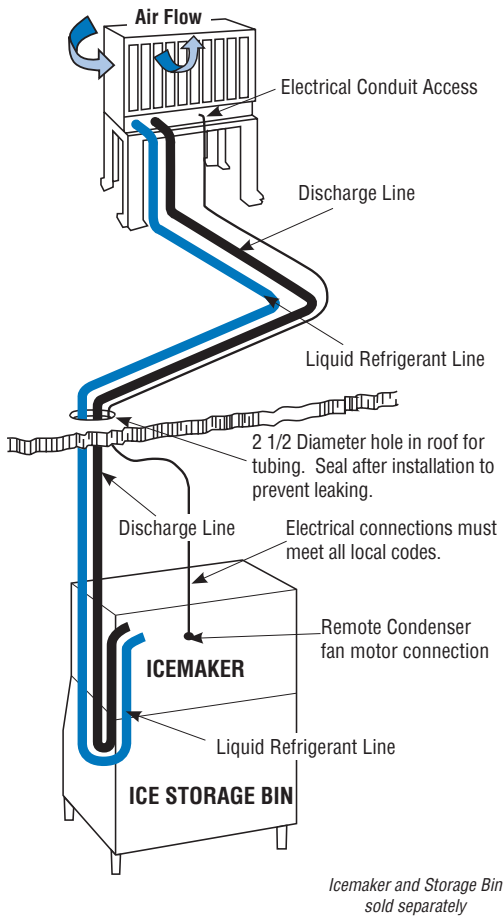
- 208-230V/60/1 (Connection to icemaker)
- 208-230V/60/3 (Connection to icemaker)
- Ambient Temp Range -20° - 122°F
- Voltage Range 187 - 253V

SRC-10J / SRC-14J

- 208-230V/60/1 (Connection to icemaker)
- Ambient Temp Range -4° - 122°F
- Voltage Range 187 - 253V

REMOTE CONDENSER INSTALLATION ON ROOF

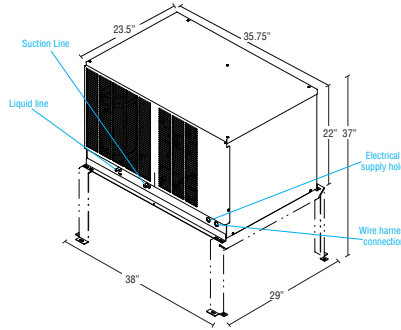
For best performance allow 24 inch clearance for air circulation. Remote condenser should not be more than 33 feet above the KM Icemaker or no more than 10 feet below it. These distances are measured from fitting to fitting.



Tubing Kits

(Sold Separately)

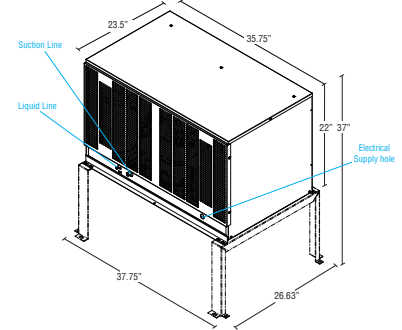
Refer to SPECIFICATIONS table to determine appropriate Tubing Kit Number for Remote Condenser Unit Specified.



SRC-10J / SRK-10J

35^{3/4} x 23^{1/2} x 37

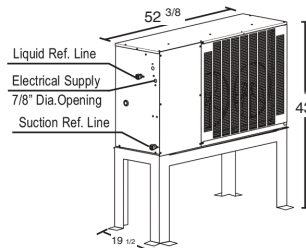
W x D x H (including legs/feet)



SRC-14J

37^{3/4} x 26^{5/8} x 37

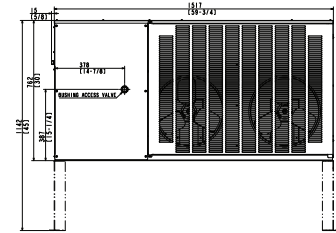
W x D x H (including legs/feet)



SRK-12J(3) / SRK-15J(3)

52^{3/8} x 19^{1/2} x 43

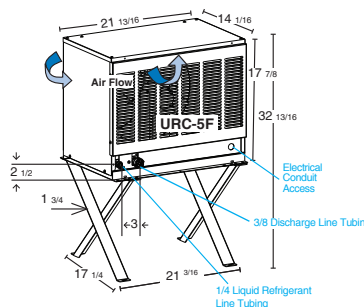
W x D x H (including legs/feet)



SRK-20J(3)

62 X 21 X 45

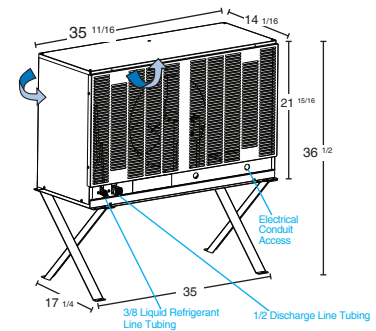
W x D x H (including legs/feet)



URC-5F

21^{13/16} x 14^{1/16} x 32^{13/16}

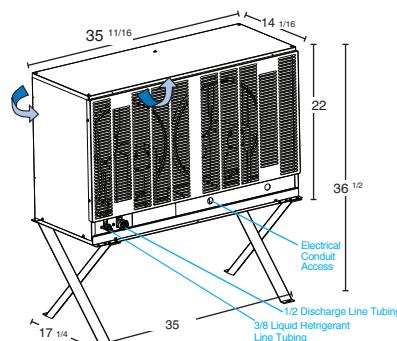
W x D x H (including legs/feet)



URC-9F

35^{11/16} x 14^{1/16} x 36^{1/2}

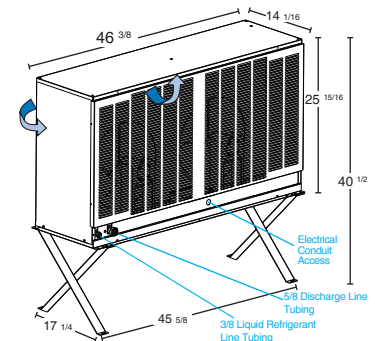
W x D x H



URC-14F

35^{11/16} x 14^{1/16} x 36^{1/2}

W x D x H (including legs/feet)



URC-22F / URC-26J

46^{3/8} x 14^{1/16} x 40^{1/2}

W x D x H (including legs/feet)

Discharge and liquid refrigerant lines dimensions refer to the line set tubing.