



KMD-530M_J


MODULAR CRESCENT CUBER





KMD-530M_J
09/12/19
Item # 13554

Item #: _____
Project: _____
Qty: _____
AIA#: _____

Features

- ▶ Individual crescent cube
- ▶ Optimized for use with ice and beverage dispenser
- ▶ Stainless steel evaporator
- ▶ CycleSaver™ design 

- Up to 515 lbs. of ice production per 24 hours
- Ice on beverage design
- Durable stainless steel exterior
- Protected by H-Guard Plus  Antimicrobial Agent
- EverCheck™ alert system 
- Front air inlet panels available for side-by-side application (used with HS-5065)
- R-404A Refrigerant

Available on Bins:

B-250PF **BD-500PF/SF** **B-800PF/SF** **B-1150SS**
B-500PF/SF **B-700PF/SF** **B-900PF/SF** **B-1300SS**

Top kit may be required. See Bin Spec Sheets.

Warranty:

3 Year Parts & Labor on entire machine. 5 Year Parts & Labor on Evaporator. 5 Year Parts on Compressor; air-cooled condenser coil. Valid in United States, Canada, Puerto Rico and U.S. Territories. Contact factory for warranty in other countries.

Shipping: (LxWxH) 34" x 33" x 39" Volume: 18.05ft³

W x D x H
30" x 24^{1/4}" x 22^{1/8}"

KM Edge DESIGN

KMD-530MAJ
Air-Cooled

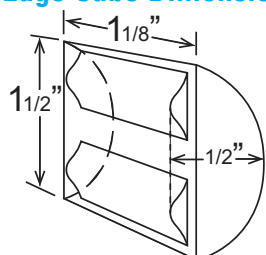
KMD-530MWJ
Water-Cooled

KMD-530MRJ
Remote Air-Cooled



Condenser	Model	ICE PRODUCTION		WATER USAGE		ELECTRICAL							
		Air / Water Temp Lbs. per 24 hours 70°/ 50°F 90°/ 70°F		Potable Gal. per 100 lbs. 90°/ 70°F	Condenser Gal. per 100 lbs. 90°/ 70°F	kWh Used per 100 lbs. 90°/ 70°F	Max. Fuse Sz or HACR Circuit Bkr	Amperage	Voltage	Circuit Wires (including ground)	Heat Rejection BTU/hr.	Refrigerant Charge Amount	Net / Ship Weight (lbs.)
Air	KMD-530MAJ	501	442	24.5	N/A	5.7	20A	12A	115V/60/1	3	7,130	1 lb. 2.5 oz.	130 / 170
Water	KMD-530MWJ	515	500	24.9	113	4.7	20A	14.1A	115V/60/1	3	8,170	14.1 oz.	130 / 170
Remote	KMD-530MRJ	498	440	25.0	N/A	6.1	20A	12.4A	115V/60/1	3	7,670	3 lb. 14 oz. (with condenser)	130 / 170

KM Edge Cube Dimensions*



* approximate size in inches, image not to scale

Operating Limits

- Ambient Temp Range 45 - 100°F
- Water Temp Range 45 - 90°F
- Water Pressure 10 - 113 PSIG
- Voltage Range 104 - 127V

Service

- Panels easily removed and all components accessible for service.
- Allow 6" (15 cm) clearance at rear, left side, and top and 12" (30 cm) clearance at right side for air-cooled model. Allow 6" (15 cm) clearance at rear, sides, and top for water-cooled and remote models.

Plumbing

- Icemaker Water Supply Line: Min. 1/4" Nominal ID Copper Water Tubing or Equivalent
- Icemaker Drain Line: Min. 3/4" Nominal ID Hard Pipe or Equivalent Water-Cooled Model (Lines Must Be Independent of Icemaker)
- Condenser Water Supply Line: Minimum 1/4" Nominal ID Copper Water Tubing or Equivalent
- Condenser Drain/Return Line: Minimum 1/4" Nominal ID Hard Pipe (open drain system) or Copper Water Tubing (closed loop system) or Equivalent

Water Filter

Please refer to water filter specification sheet for recommendations.

Hoshizaki reserves the right to change specifications without notice.



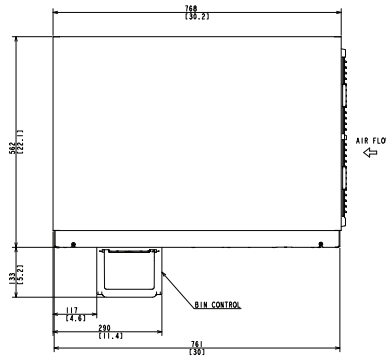
KMD-530M_J

MODULAR CRESCENT CUBER

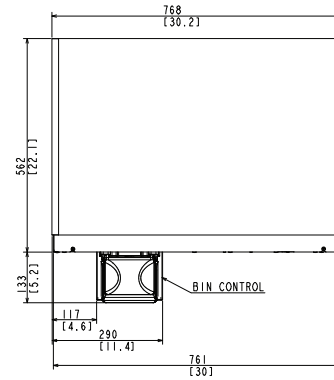


KMD-530M_J
09/12/19
Item # 13554

FRONT VIEW



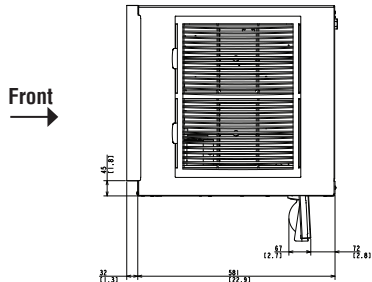
AIR-COOLED



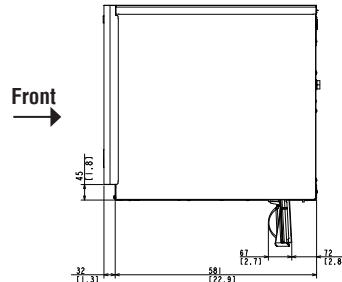
WATER-COOLED
REMOTE AIR-COOLED

mm
[inch]

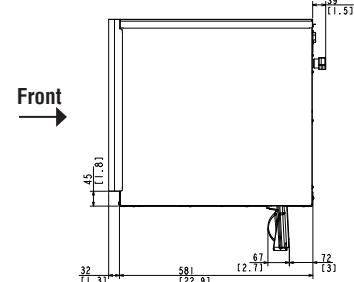
SIDE VIEW



AIR-COOLED

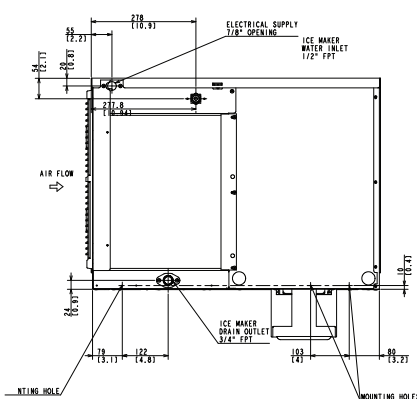


WATER-COOLED

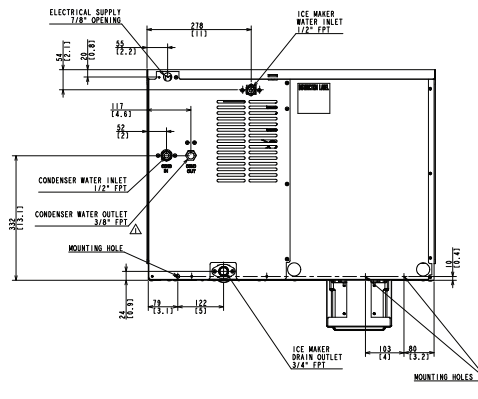


REMOTE AIR-COOLED

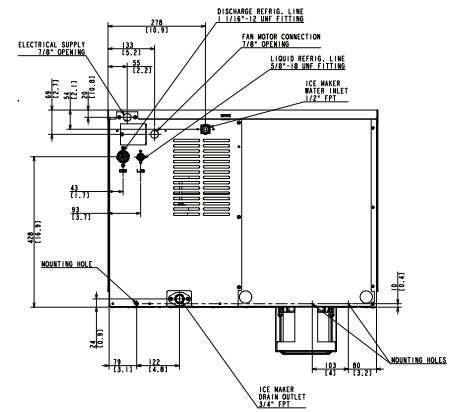
REAR VIEW



AIR-COOLED

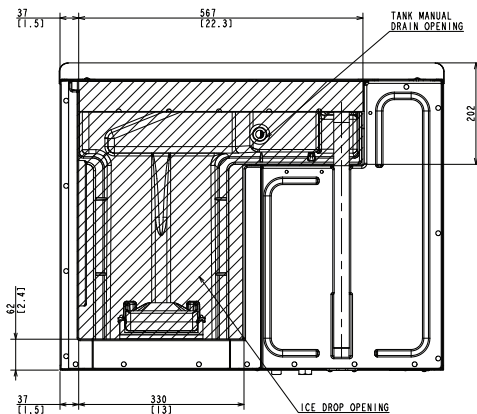


WATER-COOLED



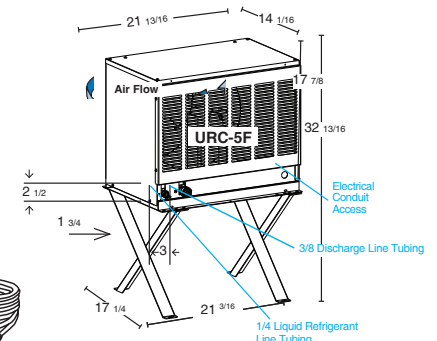
REMOTE AIR-COOLED

BOTTOM VIEW



Bottom dimensions are common for all KMD-530 Models

URC-5F Remote Condenser (Sold Separately)
(W x D x H) 21 13/16 x 14 1/16 x 32 13/16
For Use with KMD-530MRJ



Voltage supply for the URC Remote Condenser is supplied from the Ice Maker. No additional circuit is required.

Pre-Charged Tubing Kits (Sold Separately)
20' R404-2046-2
35' R404-3546-2

