



KM-1100MAJ50

MODULAR CRESCENT CUBER



KM-1100MAJ50
09/27/18
Item # 13270

Item #: _____
 Project: _____
 Qty: _____
 AIA#: _____

W x D x H
762 x 695 x 825 mm

KM Edge
DESIGN

KM-1100MAJ50
Air-Cooled
Shown on optional bin B-500



Features

- ▶ Individual crescent cube
- ▶ Stainless steel evaporator
- ▶ CycleSaver™ design

- Up to 464 kg. of ice production per 24 hours
- Mount two units, side-by-side, for 928 kg. per 24 hours (in only 1524mm of floor space)
- Durable stainless steel exterior
- Protected by H-Guard Plus Antimicrobial Agent
- EverCheck™ alert system
- Removable air filters (Air-cooled model only)
- R-404A Refrigerant

Available on Bins:

B-500PF/SF B-800PF/SF B-1150SS B-1500SS*
 B-700PF/SF B-900PF/SF B-1300SS B-1650SS*

*Top kit may be required. See Bin Spec Sheets. *Two unit application only.*

Warranty:

Call factory for warranty information.

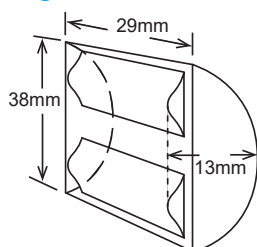
Shipping: (LxWxH) 855 x 843 x 965 mm Volume: 0.696m³



Condenser	Model	ICE PRODUCTION		WATER USAGE		ELECTRICAL							
		Air / Water Temp kg per 24 hours 21°/10°C 32°/21°C		Potable liters per 45 kg 32°/21°C	Condenser liters per 45 kg 32°/21°C	kWh Used per 45 kg 32°/21°C	Min. Circuit Amp - Max. Fuse/Breaker	Amperage	Voltage	Circuit Wires (including ground)	Heat Rejection BTU/hr.	Refrigerant Charge Amount	Net / Ship Weight (kg)
Air	KM-1100MAJ50	464	356	72	N/A	5.65	20A	11.2A	220-240/50/1	3	12,600	1400g	122 / 136

Power cord not included. Must be hard-wired at site.

KM Edge Cube Dimensions*



* approximate size in inches, image not to scale

Operating Limits

- Ambient Temp Range 7 - 38°C
- Water Temp Range 7 - 32°C
- Water Pressure 69 - 779KPa
- Voltage Range 198-254V

Service

- Panels easily removed and all components accessible for service.
- Allow 30cm (12") clearance at rear, sides, and top for proper air circulation and ease of maintenance/service.

Plumbing

- Icemaker Water Supply Line: Min. 10mm Nominal ID Copper Water Tubing or Equivalent
- Icemaker Drain Line: Min. 18mm Nominal ID Hard Pipe or Equivalent Water-Cooled Model (Lines Must Be Independent of Icemaker)
- Condenser Water Supply Line: Min. 10mm Nominal ID Copper Water Tubing or Equivalent
- Condenser Drain/Return Line: Min. 10mm Nominal ID Hard Pipe (open drain system) or Copper Water Tubing (closed loop system) or Equivalent

Water Filter

Please refer to water filter spec sheet for recommended configurations.

Hoshizaki reserves the right to change specifications without notice.



KM-1100MAJ50

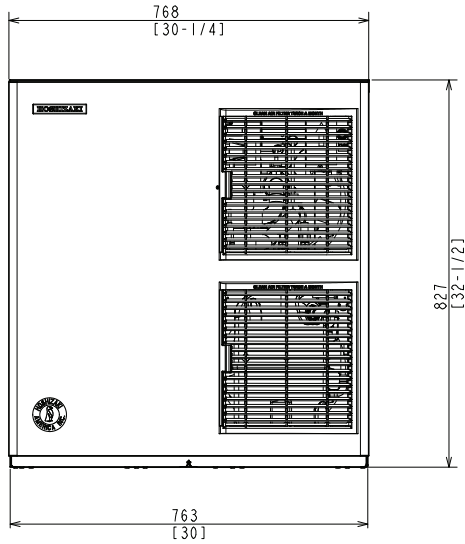
MODULAR CRESCENT CUBER



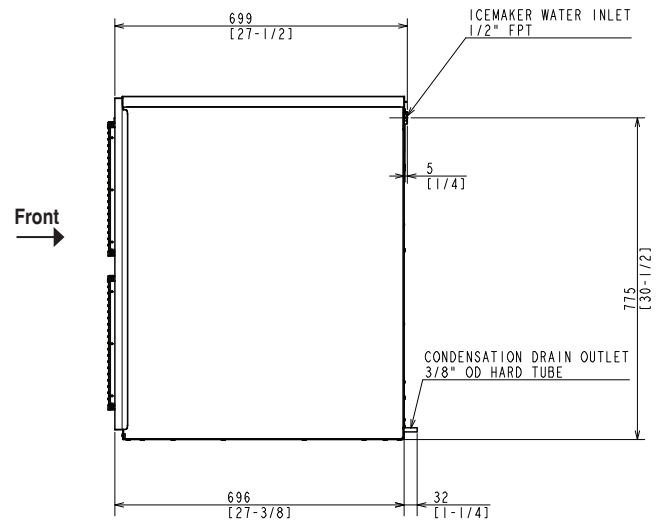
KM-1100MAJ50
09/27/18
Item # 13270

mm
[inch]

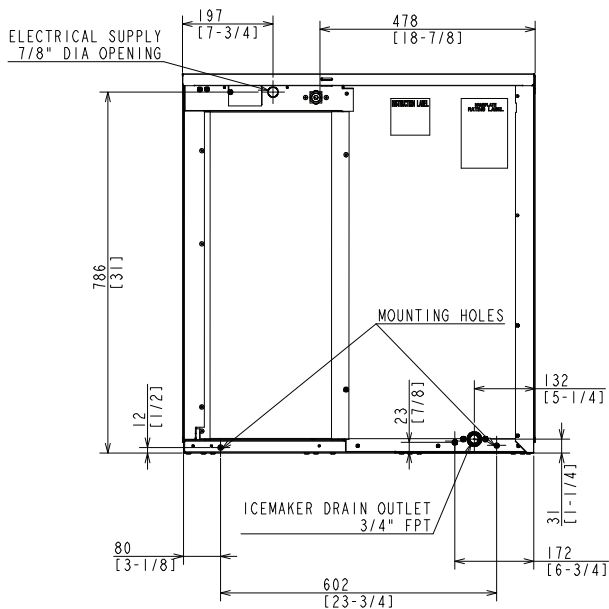
FRONT VIEW



SIDE VIEW



REAR VIEW



BOTTOM VIEW

