



# F-1002M\_J(-C)


Modular Ice Machine  
Slim-Line Series




F-1002M\_J(-C)  
12/20/18  
Item # 13108

Item #: \_\_\_\_\_  
Project: \_\_\_\_\_  
Qty: \_\_\_\_\_  
AIA#: \_\_\_\_\_

## Features

- ▶ Durable stainless steel exterior
- ▶ Advanced CleanCycle24™ design 
- ▶ Stainless steel auger with greaseless bearing

- Flaker - Up to 980 lbs. of ice production per 24 hrs.
- Cubelet - Up to 890 lbs. of ice production per 24 hrs.
- Infrared bin control for easy cleaning and reliability
- Protected by H-GUARD Plus Antimicrobial Agent 
- 2 second flush cycle every hour
- Flush cycle removes sediment for cleaner ice
- Mount two units, side-by-side, in only 44" of floor space for double the amount of ice production
- R-404A Refrigerant

### Available on Bins:

B-250PF B-500PF/SF B-800PF/SF B-1150SS B-1500SS\*  
B-300PF/SF B-700PF/SF B-900PF/SF B-1300SS B-1650SS\*

*Top kit may be required; See Bin Spec Sheets. \*Two unit application only.*

### Warranty:

3 Year Parts & Labor on entire machine. 5 Year Parts on Compressor; air-cooled condenser coil. Valid in United States, Canada, Puerto Rico and U.S. Territories. Contact factory for warranty in other countries.

**W x D x H**  
22" x 27<sup>3/8</sup>" x 26"

Shipping Dimensions  
32" x 26<sup>1/2</sup>" x 32"



**F-1002MAJ**  
Air-Cooled Flaker  
Shown on optional bin B-500

**F-1002MWJ**  
Water-Cooled Flaker

**F-1002MRJ**  
Remote Air-Cooled Flaker

**F-1002MAJ-C**  
Air-Cooled Cubelet

**F-1002MWJ-C**  
Water-Cooled Cubelet

**F-1002MRJ-C**  
Remote Air-Cooled Cubelet



Condenser	Model	ICE PRODUCTION		WATER USAGE		ELECTRICAL							
		Air / Water Temp Lbs. per 24 hours 70°/50°F	90°/70°F	Potable Gal. per 100 lbs. 90°/70°F	Condenser Gal. per 100 lbs. 90°/70°F	kWh Used per 100 lbs. 90°/70°F	Max. Fuse Size or HACR Circuit Breaker	Amperage	Voltage	Circuit Wires (including ground)	Heat Rejection BTU/hr.	Refrigerant Charge Amount	Net / Ship Weight (lbs.)
Air	F-1002MAJ	980	758	12.0	N/A	4.36	20A	15.2A	115V/60/1	3	8,500	2 lbs. 4.2 oz.	176 / 210
Water	F-1002MWJ	955	833	12.0	110	3.57	20A	13.7A	115V/60/1	3	8,200	12.3 oz.	176 / 205
Remote	F-1002MRJ	907	722	12.0	N/A	4.51	20A	15.2A	115V/60/1	3	8,600	1 lb. 14 oz. 2 lbs. 3.3 oz. †	176 / 210
Air	F-1002MAJ-C	890	726	12.0	N/A	4.57	20A	15.2A	115V/60/1	3	8,700	2 lbs. 4 oz.	176 / 210
Water	F-1002MWJ-C	878	770	12.0	111.0	3.95	20A	13.7A	115V/60/1	3	8,200	12.3 oz.	176 / 205
Remote	F-1002MRJ-C	821	680	12.0	N/A	4.94	20A	15.2A	115V/60/1	3	8,500	1 lb. 14 oz. 2 lbs. 3.3 oz. †	176 / 210

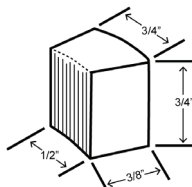
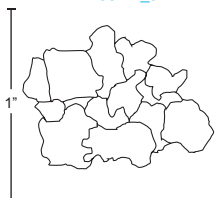
†(with condenser)

Power cord not included

### Cube Dimensions\*

Flaked  
F-1002M\_J

Cubelet  
F-1002M\_J-C



\* approximate size in inches, image not to scale

### Operating Limits

- Ambient Temp Range 45 - 100°F
- Water Temp Range 45 - 90°F
- Water Pressure 10 - 113 PSIG
- Voltage Range 104-127V

### Service

- Panels easily removed and all components accessible for service.
- Allow 24" (61 cm) clearance at top for removal of auger and 6" (15 cm) clearance at rear and sides for proper air circulation and ease of maintenance/service.

### Plumbing

- Icemaker Water Supply Line: Minimum 1/4" Nominal ID Copper Water Tubing or Equivalent
- Icemaker Drain Line: Minimum 3/4" Nominal ID Hard Pipe or Equivalent
- Water-Cooled Model (Lines Must Be Independent of Icemaker)
- Condenser Water Supply Line: Minimum 1/4" Nominal ID Copper Water Tubing or Equivalent
- Condenser Drain/Return Line: Minimum 1/4" Nominal ID Hard Pipe (open drain system) or Copper Water Tubing (closed loop system) or Equivalent



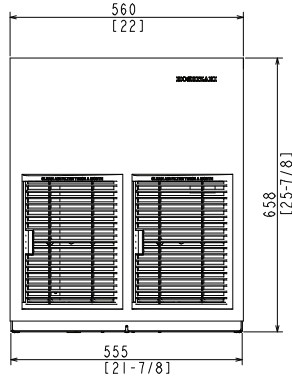
# F-1002M\_J(-C)

## Modular Ice Machine Slim-Line Series



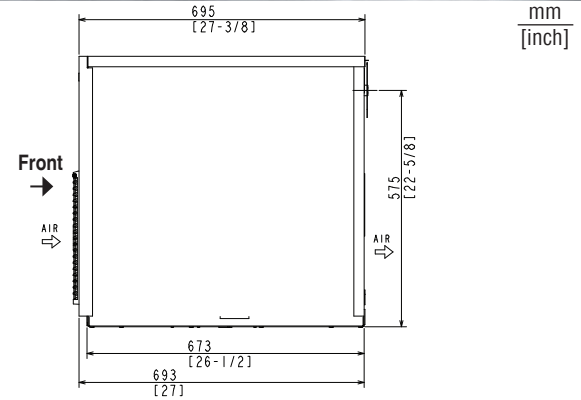
F-1002M\_J(-C)  
12/20/18  
Item # 13108

FRONT VIEW



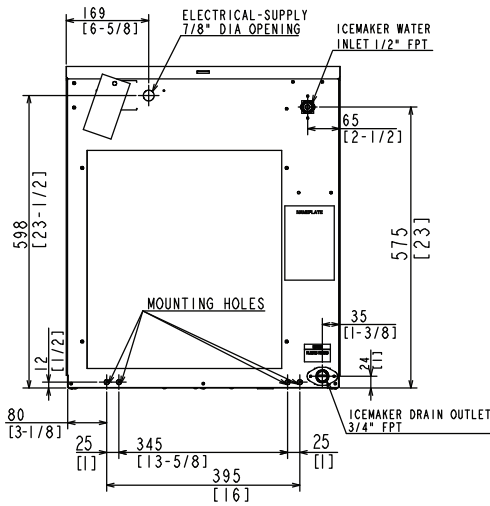
AIR-COOLED WATER-COOLED REMOTE AIR-COOLED

SIDE VIEW

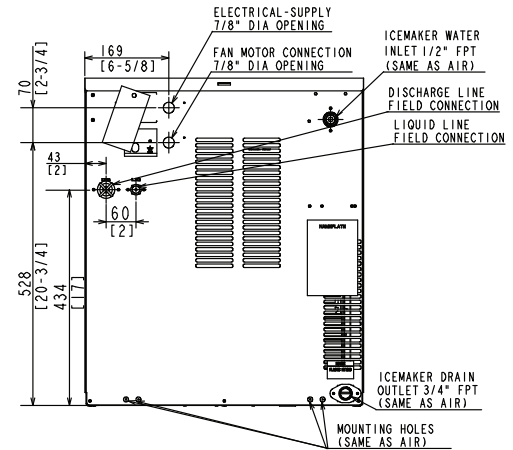


AIR-COOLED WATER-COOLED REMOTE AIR-COOLED

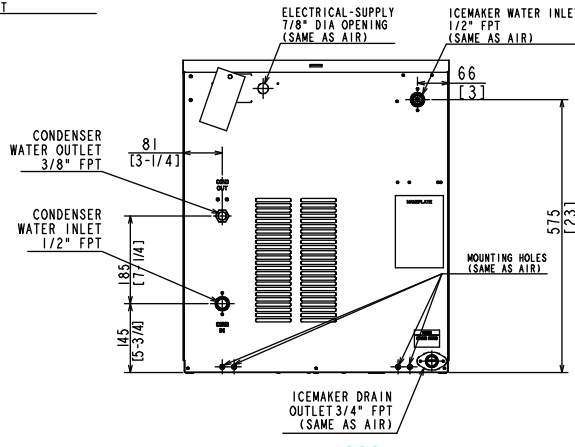
REAR VIEW



AIR-COOLED

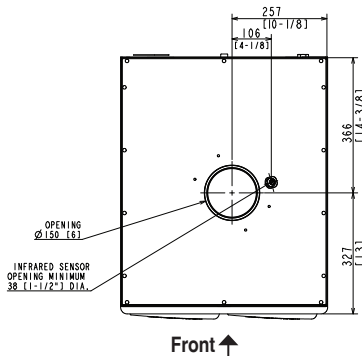


REMOTE AIR-COOLED



WATER-COOLED

BOTTOM VIEW



AIR-COOLED WATER-COOLED REMOTE AIR-COOLED

URC-5F Remote Condenser (Sold Separately)  
(W x D x H) 21 13/16 x 14 1/16 x 32 13/16  
For Use with F-1002MRJ(-C)



Pre-Charged Tubing Kits  
(Sold Separately)  
20' R404-2046-2  
35' R404-3546-2  
Voltage supply for the URC  
Remote Condenser is supplied  
from the Ice Maker.  
No additional circuit is required.

