



# DCM-752/751B\_H

## SANITARY CUBELET ICE MACHINE/DISPENSER



DCM-752/751B\_H  
03/25/20  
Item # 13290

Item #: \_\_\_\_\_  
Project: \_\_\_\_\_  
Qty: \_\_\_\_\_  
AIA#: \_\_\_\_\_

**W x D x H**  
34<sup>1/16</sup>" x 28<sup>1/2</sup>" x 48<sup>1/16</sup>"

**SD-750**  
34" x 28" x 32<sup>3/4</sup>"


Ice Machine Shipping Dimensions  
39<sup>3/4</sup>" x 32<sup>1/2</sup>" x 53<sup>1/2</sup>"


**DCM-752BAH**  
Air-Cooled  
Shown with optional  
SD-750 Stand

**DCM-751BWH**  
Water-Cooled



### Features

- ▶ Durable stainless steel exterior
- ▶ Advanced CleanCycle24™ design 
- ▶ Stainless steel auger with greaseless bearing

- Up to 782 lbs. of ice production per 24 hours
- Built-in storage capacity of 3.2ft<sup>3</sup>/95 lbs.\*
- 2 second flush cycle every hour
- Easy to chew, Cubelet ice
- Self-contained design reducing opportunities for cross contamination
- Flush cycle removes sediment for cleaner ice
- Protected by H-GUARD Plus Antimicrobial Agent 
- Removable air filters (air-cooled model only)
- Dispenses ice and water
- R-404A Refrigerant

#### Warranty:

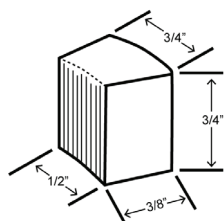
3 Year Parts & Labor on entire machine.  
5 Year Parts on Compressor; air-cooled condenser coil.  
Valid in United States, Canada, Puerto Rico and U.S. Territories. Contact factory for warranty in other countries.  
\*Rated in accordance with AHRI Standard 820(I-P). Capacity based on 100% of total volume x 30 lb/ft<sup>3</sup> average density of ice.



### ICE PRODUCTION WATER USAGE ELECTRICAL

Condenser	Model	Air / Water Temp Lbs. per 24 hours		Potable Gal. per 100 lbs.		Condenser Gal. per 100 lbs.		kWh Used per 100 lbs. 90°/70°F	Max. Fuse Size or HACR Circuit Breaker	Amperage	Voltage	Circuit Wires (including ground)	Heat Rejection BTU/hr.	Refrigerant Charge Amount	Net / Ship Weight (lbs.)
		70°/50°F	90°/70°F	90°/70°F	90°/70°F										
Air-Cooled	DCM-752BAH	708	576	12.0	N/A	5.10	20A	13A	115V/60/1	3	6,900	1 lb. 10 oz.	300 / 345		
Water-Cooled	DCM-751BWH	782	678	12.0	96	4.76	20A	18.9A	115V/60/1	3	7,600	1 lb. 6 oz.	300 / 345		

### Cubelet Dimensions\*



\* approximate size in inches, image not to scale

### Operating Limits

- Ambient Temp Range 45 - 100°F
- Water Temp Range 45 - 90°F
- Water Pressure 10 - 113 PSIG
- Voltage Range 104 - 127V

### Service

- Allow 6" (15 cm) clearance at rear and sides for proper air circulation and ease of maintenance/service should they be required. Allow 24" (61 cm) clearance at top to allow for removal of the auger.

### Plumbing

- Icemaker Water Supply Line: Min. 1/4" Nominal ID Copper Water Tubing or Equivalent
- Icemaker Drain Line: Min. 3/4" Nominal ID Hard Pipe or Equivalent Water-Cooled Model (Lines Must Be Independent of Icemaker)
- Condenser Water Supply Line: Min. 1/4" Nominal ID Copper Water Tubing or Equivalent
- Condenser Drain/Return Line: Min. 1/4" Nominal ID Hard Pipe (open drain system) or Copper Water Tubing (closed loop system) or Equivalent

### Water Filter

Please refer to water filter specification sheet for recommendations.

Hoshizaki reserves the right to change specifications without notice.



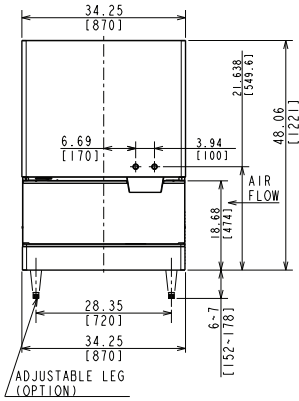
# DCM-752/751B\_H

## SANITARY CUBELET ICE MACHINE/DISPENSER

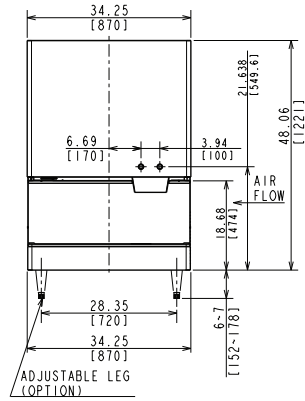


DCM-752/751B\_H  
03/25/20  
Item # 13290

FRONT VIEW



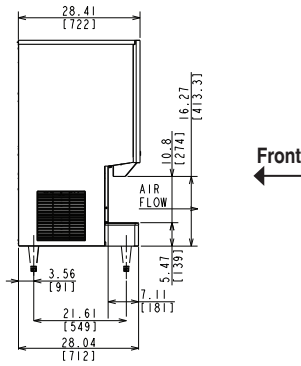
DCM-752BAH AIR-COOLED



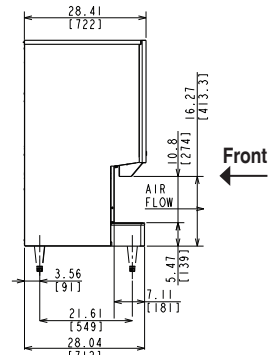
DCM-751BWH WATER-COOLED

inch  
[mm]

SIDE VIEW

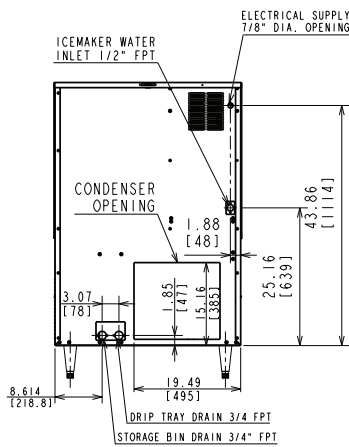


DCM-752BAH AIR-COOLED

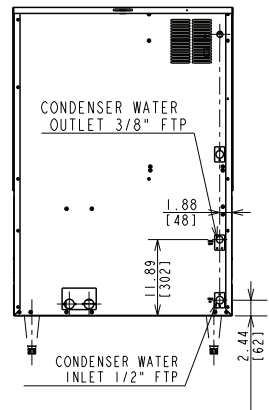


DCM-751BWH WATER-COOLED

REAR VIEW

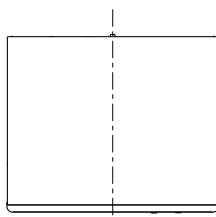


DCM-752BAH AIR-COOLED



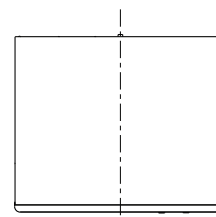
DCM-751BWH WATER-COOLED

TOP VIEW



Front ↑

DCM-752BAH AIR-COOLED



Front ↑

DCM-751BWH WATER-COOLED