



# IM-200BAA

## SELF-CONTAINED SQUARE CUBER WITH BUILT-IN STORAGE BIN



IM-200BAA  
01/05/18  
Item # 13376

Item #: \_\_\_\_\_  
 Project: \_\_\_\_\_  
 Qty: \_\_\_\_\_  
 AIA#: \_\_\_\_\_

**W x D x H**  
**39<sup>1</sup>/<sub>2</sub>" x 23<sup>5</sup>/<sub>8</sub>" x 33<sup>1</sup>/<sub>2</sub>"\***  
 \*including 6" legs


**IM-200BAA**  
 Air-Cooled

Shipping Dimensions  
 43<sup>7</sup>/<sub>10</sub>" x 27<sup>5</sup>/<sub>8</sub>" x 34<sup>7</sup>/<sub>16</sub>"



## Features

- ▶ Individual square cube
- ▶ Self-Contained with built-in storage bin

- Up to 200 lbs. of ice production per 24 hours
- Built-in storage capacity of 2.5ft<sup>3</sup>/75 lbs.\*
- Durable stainless steel exterior
- EverCheck™ alert system 
- Removable air filter
- R-134a Refrigerant
- 5' 7/8" (1.8 m) power cord with NEMA 5-15P plug

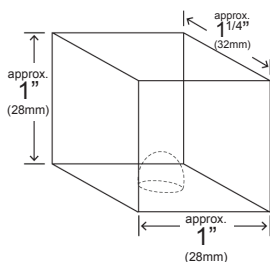
## Warranty

- 3 year Parts & Labor on entire machine.
  - 5 year Parts on Compressor; air-cooled condenser coil.
- Valid in United States, Canada, Puerto Rico & U.S. Territories. Contact factory for warranty in other countries.
- \*Rated in accordance with AHRI Standard 820(I-P). Capacity based on 100% of total volume x 30 lb/ft<sup>3</sup> average density of ice.



Condenser	Model	ICE PRODUCTION			WATER USAGE		ELECTRICAL			Heat Rejection BTU/hr.	Refrigerant Charge Amount	Net / Ship Weight (lbs.)
		Air / Water Temp Lbs. per 24 hours 70°/50°F 90°/70°F	Potable Gal. per 100 lbs. 90°/70°F	Condenser Gal. per 100 lbs. 90°/70°F	kWh Used per 100 lbs. 90°/70°F	Max. Fuse Size or HACR Circuit Breaker	Amperage	Voltage				
Air	IM-200BAA	200 160	23.0	N/A	8.3	15A	7.6A	115V/60/1	3,500	10.2oz	170 / 203	

## IM Cube Dimensions\*



\* approximate size; image not to scale

## Operating Limits

- Ambient Temp Range 45 - 100°F
- Water Temp Range 45 - 90°F
- Water Pressure 10 - 113 PSIG
- Voltage Range 104 - 127V

## Service

- Panels easily removed and all components accessible for service.
- Removable/cleanable air filter.

## Water Filter

Please refer to water filter specification sheet for recommendations.

## Plumbing

- Icemaker Water Supply Line: Minimum 1/4" Nominal ID Copper Water Tubing or Equivalent
- Icemaker Drain Line: Minimum 3/4" Nominal ID Hard Pipe or Equivalent

## Clearance

- Allow 6" (15 cm) clearance on right side and 2" (5 cm) on rear. Allow 2" (5 cm) on left side and 0" on top or 5/8" (15 mm) on left side and 2" (5 cm) on top for proper air circulation and ease of maintenance/service.



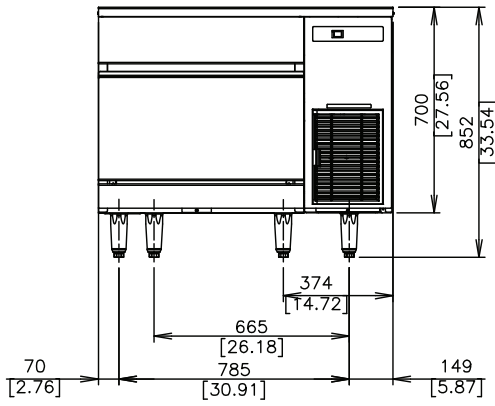
# IM-200BAA

**SELF-CONTAINED SQUARE CUBER  
WITH BUILT-IN STORAGE BIN**

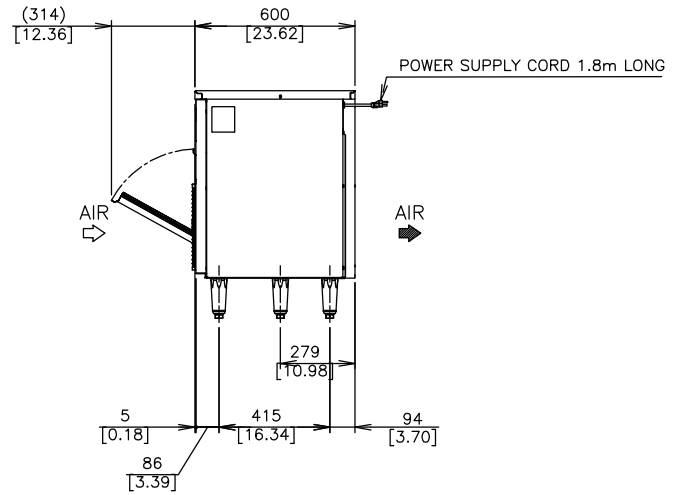


IM-200BAA  
01/05/18  
Item # 13376

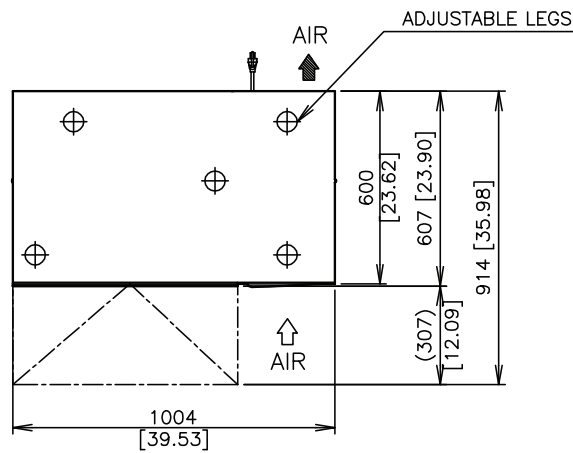
**FRONT VIEW**



**SIDE VIEW**



**BOTTOM VIEW**



**REAR VIEW**

