



Ice Merchandisers - Outdoor



ICB-1-SLANT

Height 74.00"
 Length 47.75"
 Depth 34.25"



ICB-1

Height 75.75"
 Length 55.50"
 Depth 36.25"



ICB-2

Height 75.75"
 Length 76.25"
 Depth 36.25"

Features

- Exterior cabinet made of white or black vinyl clad steel
- Custom front trim enhances cabinet appearance
- Hinged door with chrome plated hardware seals magnetically
- Reinforced 16 gauge galvanized steel base
- Foamed in place high density CFC free polyurethane foam insulation
- Heavy duty galvanized steel interior with air distribution channels
- High capacity blower cooled refrigeration system with automatic defrost
- Self contained heavy duty 134a condensing unit
- Graphics are visible on three sides for maximum merchandising effect



ICB-2-L
 (FORMALLY ICB-100)

Height 75.75"
 Length 96.00"
 Depth 36.25"

Model No.	Description	Voltage	Amps	Temp	HP	Est. Ship Weight
ICB-1-SLANT	1 Door Solid	115	10	23°F - 30°F	1/3	494#
ICB-2-SLANT	2 Door Solid	115	12	23°F - 30°F	1/2	635#
ICB-1	1 Door Solid	115	10	23°F - 30°F	1/3	494#
ICB-2	2 Doors Solid	115	12	23°F - 30°F	1/2	658#
ICB-2-L	2 Doors Solid	115	12	23°F - 30°F	1/2	774#

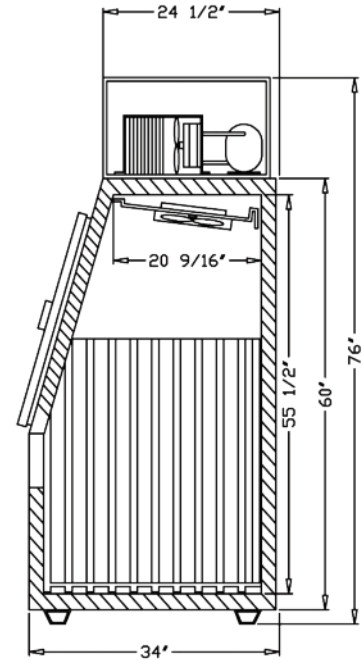




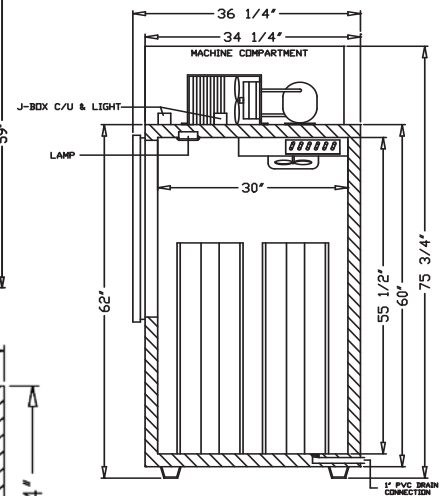
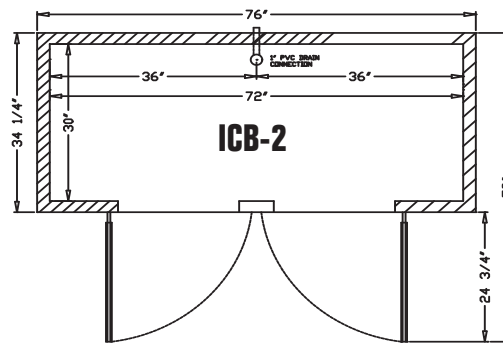
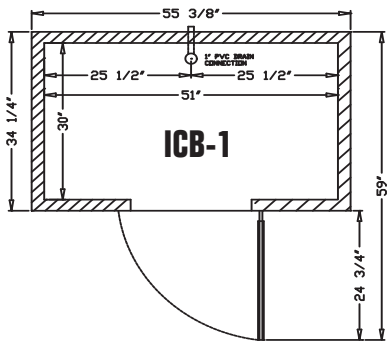
Technical Data / Ice Merchandisers - Outdoor

Model #	ICB-1	ICB-2	ICB-2-L	ICB-1-Slant
Outside Dimensions				
Depth	36.25"	36.25"	36.25"	34.00"
Length	55.45"	76.00"	96.00"	47.75"
Height	75.75"	75.75"	75.75"	76.00"
Door Size				
Door Type	1 swing	2 swing	2 swing	1 swing
Inside Dimensions				
Depth	30.00"	30.00"	30.00"	29.75"
Length	51.00"	72.00"	92.00"	48.9"
Height	55.50"	55.50"	55.50"	54.00"
# of 7lb bags	150	225	300	125
Capacity: Cubic Foot	47	60	85	40
Specifications				
Operating Temperature	23°F-30°F	23°F-30°F	23°F-30°F	23°F-30°F
Refrigerant	134a	134a	134a	134a
Compressor Size HP	1/3	1/2	1/2	1/3
Defrost	3@30min	3@30min	3@30min	3@30min
Voltage	115	115	115	115
Amperage	10.0	12.0	12.0	10.0
Cord and Plug	yes	yes	yes	yes
Shipping Dimensions				
Depth	41.00"	41.00"	41.00"	41.00"
Length	60.00"	81"	101"	54"
Height	82.00"	82.00"	82.00"	80"
Gross Weight lbs.	494	658	774	494
Cubic feet	116	157	196	105

ICB-1-SLANT



- Cases are designed to operate at 75°F and 55% relative humidity.
- Specification subject to change without notice.



**ICB-1
ICB-2
ICB-2-L**

