



The Signature of Quality

FEDERAL INDUSTRIES

A Standex Company

215 Federal Avenue
Belleville, Wisconsin 53508-9201

Phone: 800-356-4206

Fax: 608-424-3234

Email: Geninfo@Federalind.com

Website: Federalind.com

Project Name: _____

Item #: _____

Model #: _____ Qty: _____

Approval: _____

AIA #

SIS #

VISION SERIES - Square End Self-Serve Refrigerated Case - 78"

Designed with impulse sales in mind. Get maximum return from an attention-grabbing merchandiser and increase profits.



Model VRSS4878S
Shown with Options

MODEL	DIMENSIONS (Includes End Panels)
<input type="checkbox"/> VRSS3678S	36 x 33 x 78 (in) 914 x 838 x 1981 (mm)
<input type="checkbox"/> VRSS4878S	47.25 x 33 x 78 (in) 1200 x 838 x 1981 (mm)
<input type="checkbox"/> VRSS6078S	59.25 x 33x 78 (in) 1505 x 838 x 1981 (mm)
<input type="checkbox"/> VRSS7278S	71.25 x 33x 78 (in) 1810 x 838 x 1981 (mm)

STANDARD FEATURES

Model Features

- Black interior including shelves
- Stainless steel display deck
- Tempered glass ends
- Black powder coated base frame
- Moisture resistant end panel construction
- Choice of standard colors on lower millwork panel
- Black trim
- Adjustable leg levelers
- Cord & plug, self-contained only
- Front air intake / front & rear discharge
- Energy saving night curtain
- Matches profile of the VRSS & VHSS models

Refrigeration

- R449a refrigerant
- Electronic temperature control maintains 38°-40°F (3.3°-4.4°C) Note: Case temperatures will vary if the air curtain is disrupted.
- Digital thermometer
- Clear coil on demand defrost
- Coated evaporator coil
- Universal breathe (Front air in with front or rear air out) (Rear air in and out optional)

Shelving

- Four tiers of adjustable black metal shelves with black price tag molding.
- Shelves can be flat or slanted down at 10°.

Lighting

- 3500K LED top light

Agency Approvals

- UL, C-UL and UL Sanitation listed to NSF-7, Type II conditions
- DOE 2017 compliant

OPTIONAL ACCESSORIES

- White interior (including shelves)
- Stainless steel interior (including shelves)
- Stainless steel shelves in lieu of black
- Deli meat pegs
- 3500K LED lights below shelves
- Additional lighted 3500K LED shelf
- High-capacity condensate evaporator assembly
- Condensate evaporator assembly (field install) (separate 120V, 20A circuit required) (remote only)
- Remote refrigeration with condensate pump (EEV included)
- Self-cleaning condenser
- Rear air intake and discharge
- Stainless steel exterior finish
- Premium exterior laminate
- Graphics package
- Solid end panels (mirrored interior)
- Reflective end glass
- Clear or reflective glass, sliding rear doors (Solid hinged on 36" cases)
- 6" legs (152mm)
- Seismic legs
- Skirt w/4" casters or legs
- 2 1/2" (63.5mm) recessed or 4" (101.6mm) casters (self-contained models only) (Weight limits may apply)
- Joining kit for continuous line-ups (not available with casters)
- Front wire display basket
- Front cart bumper
- Roll-Down locking security cover (black, white, or gray)
- Black polycarbonate removable locking security cover

*Additional options available on the website and price list.



WARRANTY*
One year Parts and Labor
2nd thru 5th year part only
service compressor
(U.S.A. and Canada)

Note: Information is subject to change at any time. Visit www.federalind.com for the most current specs.

AIA #	VISION SERIES - Square End Self-Serve Refrigerated Case - 78"
SIS #	Product Specifications

Intended Environment: Type II (Self Contained and Remote) - Designed to operate in maximum ambient conditions of 80°F (24°C) and 55% relative humidity.		
Zone	Intended Product To Be Displayed	Avg Prod Temp °F/°C
All	Packaged Refrigerated Products	38°F / (3.3°C)

DIMENSION: xx"/(mm)

DIMENSION TOLERANCE +/- 0.25 (6.4)

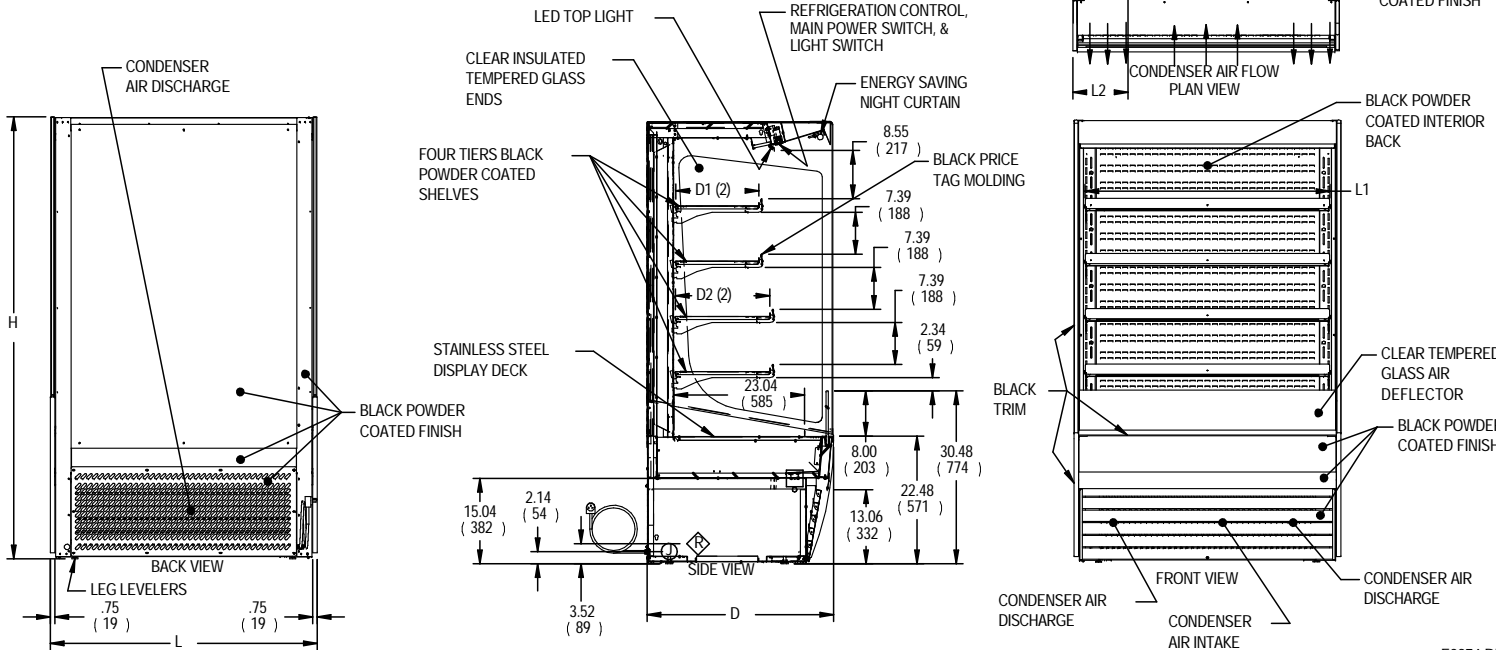
SYMBOL KEY:

ELECTRICAL JUNCTION BOX (SUPPLIED W/6' LEADS OR POWER CORD)

TUB DRAIN LOCATION

REMOTE REFRIGERATION LINE CONNECTION

NOTE:
NO CLEARANCE NEEDED BEHIND UNIT FOR CONDENSER AIR VENTILATION. IF UNIT IS PUSHED UP AGAINST A WALL IT BECOMES FRONT CONDENSER AIR INTAKE AND DISCHARGE. CASES CAN BE PLACED IN LINE UPS WITH OUT ALTERNATE VENTILATION SETUPS



E3974 REV A

MODEL	DIMENSIONS				TUB DRAIN	SHELVING			INTERIOR VOLUME CU FT	ELECTRICAL				STANDARD CONNECTION CORD & PLUG			REFRIG	C.U. HP	CONDENSATE REMOVAL	SHIP WT		PERMANENT CONNECT		REFRIG	BTU'S @ +20°	SHIP WT	
	L	D	H	L2	# OF TIERS	L1	D1	D2		2 WIRE + GROUND	AMPS	MAX FUSE	NEMA CORD &	LBS	KILO	AMPS				MAX FUSE	LBS	KILO					
	in	in	in	in		in	in	in																			
	mm	mm	mm	mm		mm	mm	mm																			
VRSS3678S	36	33	78	6.74	4	32.25	14.634	16.634	19.47	120/60/1	12.7	20	NEMA 5-20P	R449A	3/4	INTEGRATED PAN	740	2.5	15	R449A	6,720	695					
	914	838	1981	171		819	372	423									336					315					
VRSS4878S	47.25	33	78	13.49	4	43.25	14.634	16.634	25.74	208-240/60/1	12.5	20	NEMA 6-20P	R449A	1	INTEGRATED PAN	820	3.0	15	R449A	9,580	775					
	1200	838	1981	343		1099	372	423									372					351					
VRSS6078S	59.25	33	78	14.12	4	55.25	14.634	16.634	32.58	208-240/60/1	13.5	20	NEMA 6-20P	R449A	1-1/4	INTEGRATED PAN	1030	3.5	15	R449A	11,200	985					
	1505	838	1981	359		1403	372	423									467					447					
VRSS7278S	71.25	33	78	20.12	4	67.25	14.634	16.634	39.42	208-240/60/1	13.7	20	NEMA 6-20P	R449A	1-1/4	INTEGRATED PAN	1080	3.5	15	R449A	12,300	1040					
	1810	838	1981	511		1708	372	423									490					472					

- Due to continuing engineering improvements, specifications are subject to change without notice
- Case temperature will vary if the air curtain is disrupted.



FEDERAL INDUSTRIES
A Standex Company
215 Federal Avenue Belleville, Wisconsin 53508-9201

Phone: 800-356-4206
Fax: 608-424-3234
Email: Geninfo@Federalind.com
Website: Federalind.com