



The Signature of Quality®

### FEDERAL INDUSTRIES

A Standex Company

215 Federal Avenue  
Belleville, Wisconsin 53508-9201

Phone: 800-356-4206

Fax: 608-424-3234

Email: Geninfo@Federalind.com

Website: Federalind.com

Project Name: \_\_\_\_\_

Item #: \_\_\_\_\_

Model #: \_\_\_\_\_ Qty: \_\_\_\_\_

Approval: \_\_\_\_\_

AIA #

SIS #

## VISION SERIES - High Profile Self-Serve Refrigerated Case - 60"

Designed with impulse sales in mind. Get maximum return from an attention-grabbing case and increase profits.



Model VRSS3660C Solid Ends Shown

MODEL	DIMENSIONS (Includes End Panels)
<input type="checkbox"/> VRSS3660C	36 x 33 x 60 (in) 914 x 838 x 1524 (mm)
<input type="checkbox"/> VRSS4860C	47.25 x 33 x 60 (in) 1200 x 838 x 1524 (mm)
<input type="checkbox"/> VRSS6060C	59.25 x 33 x 60 (in) 1505 x 838 x 1524 (mm)
<input type="checkbox"/> VRSS7260C	71.25 x 33 x 60 (in) 1810 x 838 x 1524 (mm)

### STANDARD FEATURES

#### Model Features

- Black interior including shelves
- Stainless steel display deck
- Tempered glass ends
- Black powder coated base frame
- Moisture resistant lower end panel construction
- Choice of standard colors on lower end panel
- Black trim
- Adjustable leg levelers
- Cord & plug, self-contained only
- Front air intake / front & rear discharge
- Energy saving night curtain
- Matches profile of the VRSS & VHSS models

#### Refrigeration

- R449a refrigerant
- Electronic temperature control maintains 38° - 40°F (3.3° - 4.4°C) Note: Case temperatures will vary if the air curtain is disrupted.
- Digital thermometer
- Clear coil on demand defrost
- Coated evaporator coil
- Universal breathe (Front air in with front or rear air out) (Rear air in and out optional)

#### Shelving

- Two tiers of adjustable black metal shelves with black plastic tag molding.
- Shelves can be flat or slanted down at 10°

#### Lighting

- 3500K LED top light

#### Agency Approvals

- UL, C-UL, and UL Sanitation listed to NSF-7, Type II conditions
- DOE 2017 compliant

### OPTIONAL ACCESSORIES

- |   |  |
|---|--|
| <input type="checkbox"/> 3500K LED lights below shelves   | <input type="checkbox"/> Graphics package  |
| <input type="checkbox"/> White interior (including shelves)   | <input type="checkbox"/> Solid end panels (mirrored interior)  |
| <input type="checkbox"/> Stainless steel interior (including shelves)   | <input type="checkbox"/> Reflective end glass  |
| <input type="checkbox"/> Stainless steel or glass shelves in lieu of black  | <input type="checkbox"/> Clear or reflective glass, sliding rear doors (Solid hinged on 36" cases)                               |
| <input type="checkbox"/> Deli meat pegs   | <input type="checkbox"/> 6" legs (152mm)   |
| <input type="checkbox"/> Additional lighted 3500K LED shelf   | <input type="checkbox"/> Seismic legs  |
| <input type="checkbox"/> High-capacity condensate evaporator assembly   | <input type="checkbox"/> Skirt w/4" casters or legs  |
| <input type="checkbox"/> Condensate evaporator assembly (field install) (separate 120V, 20A circuit required) (remote only) | <input type="checkbox"/> 2 1/2" (63.5mm) recessed or 4" (101.6mm) casters (self-contained models only) (Weight limits may apply) |
| <input type="checkbox"/> Remote refrigeration with condensate pump (EEV included)   | <input type="checkbox"/> Joining kit for continuous line-ups (not available with casters)  |
| <input type="checkbox"/> Self-cleaning condenser  | <input type="checkbox"/> Front wire display basket   |
| <input type="checkbox"/> Rear air intake and discharge  | <input type="checkbox"/> Front cart bumper   |
| <input type="checkbox"/> Stainless steel exterior finish  | <input type="checkbox"/> Black polycarbonate removable locking security cover  |
| <input type="checkbox"/> Premium exterior laminate  |  |

\*Additional options available on the website and price list



**WARRANTY\***  
One year Parts and Labor  
2nd thru 5th year part only  
service compressor  
(U.S.A. and Canada)

**Note: Information is subject to change at any time. Visit [www.federalind.com](http://www.federalind.com) for the most current specs.**

AIA #	<b>VISION SERIES - High Profile Self-Serve Refrigerated Case - 60"</b>
SIS #	Product Specifications

Intended Environment: Type II (Self Contained and Remote) - Designed to operate in maximum ambient conditions of 80°F (24°C) and 55% relative humidity.		
Zone	Intended Product To Be Displayed	Avg Prod Temp °F/°C
All	Packaged Refrigerated Products	38°F / [3.3°C]

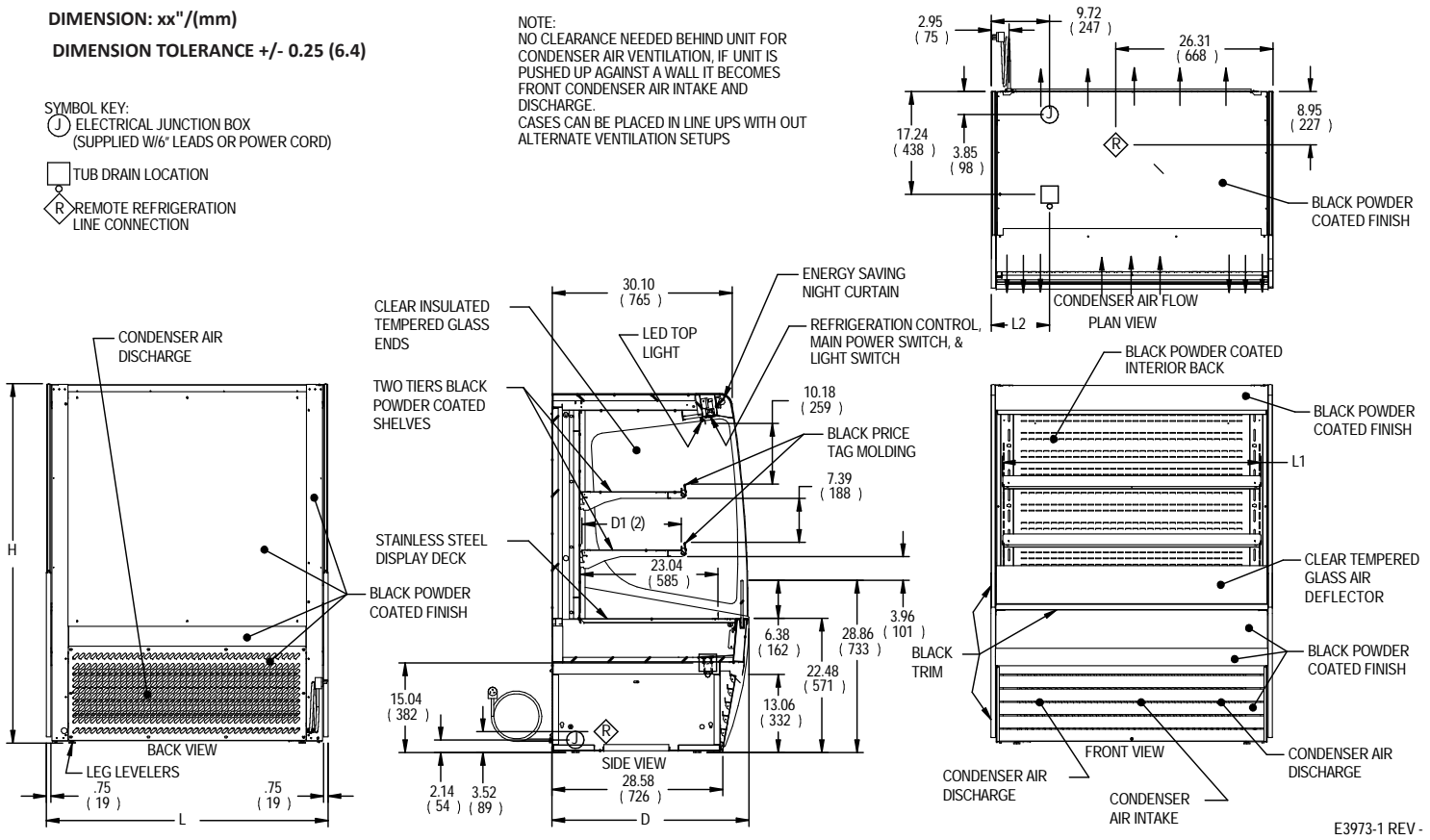
**DIMENSION: xx"/(mm)**

**DIMENSION TOLERANCE +/- 0.25 (6.4)**

SYMBOL KEY:

- J ELECTRICAL JUNCTION BOX (SUPPLIED W/6' LEADS OR POWER CORD)
- T TUB DRAIN LOCATION
- R REMOTE REFRIGERATION LINE CONNECTION

NOTE:  
NO CLEARANCE NEEDED BEHIND UNIT FOR CONDENSER AIR VENTILATION, IF UNIT IS PUSHED UP AGAINST A WALL IT BECOMES FRONT CONDENSER AIR INTAKE AND DISCHARGE.  
CASES CAN BE PLACED IN LINE UPS WITH OUT ALTERNATE VENTILATION SETUPS



E3973-1 REV -

MODEL	DIMENSIONS			TUB DRAIN	SHELVING			INTERIOR VOLUME CU FT	STANDARD CONNECTION CORD & PLUG				REFRIG	C.U. HP	CONDENSATE REMOVAL	SHIP				SHIP WGHT KILO		
	L	D	H	L2	# OF TIERS	L1	D1		ELECTRICAL	AMPS	MAX FUSE SIZE	NEMA CORD & PLUG				SHIP WGHT LBS	PERMANENT CONNECT		REFRIG		BTU'S @ 26°	CONDENSATE REMOVAL
	in	in	in	in		in	in										2 WIRE + GROUND	2 WIRE + GROUND				
	mm	mm	mm	mm	mm	mm	mm		mm	mm	mm	mm				mm	mm	mm	mm		mm	mm
VRSS3660C	36	33	60	6.74	2	32.25	16.634	13.98	120/60/1	12.7	20	NEMA 5-20P	R449A	3/4	INTEGRATED PAN	535	2.5	15	R449A	6,720	PUMP	490
	914	838	1524	171		819	423									243	222					
VRSS4860C	47.25	33	60	13.49	2	43.25	16.634	18.48	208-240/60/1	12.5	20	NEMA 6-20P	R449A	1	INTEGRATED PAN	620	3.0	15	R449A	9,580	PUMP	580
	1200	838	1524	343		1099	423									281	263					
VRSS6060C	59.25	33	60	14.12	2	55.25	16.634	23.39	208-240/60/1	13.5	20	NEMA 6-20P	R449A	1-1/4	INTEGRATED PAN	755	3.5	15	R449A	11,200	PUMP	710
	1505	838	1524	359		1403	423									342	322					
VRSS7260C	71.25	33	60	20.12	2	67.25	16.634	28.30	208-240/60/1	13.7	20	NEMA 6-20P	R449A	1-1/4	INTEGRATED PAN	845	3.5	15	R449A	12,300	PUMP	800
	1810	838	1524	511		1708	423									383	363					

- Due to continuing engineering improvements, specifications are subject to change without notice.
- Case temperature will vary if the air curtain is disrupted.



**FEDERAL INDUSTRIES**  
A Standex Company  
215 Federal Avenue Belleville, Wisconsin 53508-9201

**Phone:** 800-356-4206  
**Fax:** 608-424-3234  
**Email:** Geninfo@Federalind.com  
**Website:** Federalind.com