



The Signature of Quality®

**FEDERAL INDUSTRIES**

A Standex Company

215 Federal Avenue  
Belleville, Wisconsin 53508-9201

Phone: 800-356-4206

Fax: 608-424-3234

Email: Geninfo@Federalind.com

Website: Federalind.com

Project Name: \_\_\_\_\_

Item #: \_\_\_\_\_

Model #: \_\_\_\_\_ Qty: \_\_\_\_\_

Approval: \_\_\_\_\_

AIA #

SIS #

**VISION SERIES - Square End Self-Serve Refrigerated Case - 60"**

Designed with impulse sales in mind. Get maximum return from an attention-grabbing merchandiser and increase profits.



Model VRSS4878S  
Shown with Options

MODEL	DIMENSIONS (Includes End Panels)
<input type="checkbox"/> VRSS3660S	36 x 33 x 60 (in) 914 x 838 x 1524 (mm)
<input type="checkbox"/> VRSS4860S	47.25 x 33 x 60 (in) 1200 x 838 x 1524 (mm)
<input type="checkbox"/> VRSS6060S	59.25 x 33x 60 (in) 1505 x 838 x 1524 (mm)
<input type="checkbox"/> VRSS7260S	71.25 x 33x 60 (in) 1810 x 838 x 1524 (mm)

**STANDARD FEATURES**

**Model Features**

- Black interior including shelves
- Stainless steel display deck
- Tempered glass ends
- Black powder coated base frame
- Moisture resistant end panel construction
- Choice of standard colors on lower millwork panel
- Black trim
- Adjustable leg levelers
- Cord & plug, self-contained only
- Front air intake / front & rear discharge
- Energy saving night curtain
- Matches profile of the VRSS & VHSS models

**Refrigeration**

- R449a refrigerant
- Electronic temperature control maintains 38°-40°F (3.3°-4.4°C) Note: Case temperatures will vary if the air curtain is disrupted.
- Digital thermometer
- Clear coil on demand defrost
- Coated evaporator coil
- Universal breathe (Front air in with front or rear air out) (Rear air in and out optional)

**Shelving**

- Two tiers of adjustable black metal shelves with black price tag molding
- Shelves can be flat or slanted down at 10°

**Lighting**

- 3500K LED top light

**Agency Approvals**

- UL, C-UL and UL Sanitation listed to NSF-7, Type II conditions
- DOE 2017 compliant

**OPTIONAL ACCESSORIES**

- 3500K LED lights below shelves
- White interior (including shelves)
- Stainless steel interior (including shelves)
- Stainless steel shelves in lieu of black
- Deli meat pegs
- Additional lighted 3500K LED shelf
- High-capacity condensate evaporator assembly
- Condensate evaporator assembly (field install) (separate 120V, 20A circuit required) (remote only)
- Remote refrigeration with condensate pump (EEV included)
- Self-cleaning condenser
- Rear air intake and discharge
- Stainless steel exterior finish
- Premium exterior laminate
- Graphics package
- Solid end panels (mirrored interior)
- Reflective end glass
- Clear or reflective glass, sliding rear doors (Solid hinged on 36" cases)
- 6" legs (152mm)
- Seismic legs
- Skirt w/4" casters or legs
- 2 1/2" (63.5mm) recessed or 4" (101.6mm) casters (self-contained models only) (Weight limits may apply)
- Joining kit for continuous line-ups (not available with casters)
- Front wire display basket
- Front cart bumper
- Roll-Down locking security cover (black, white, or gray)
- Black polycarbonate removable locking security cover

\*Additional options available on the website and price list.



**WARRANTY\***  
One year Parts and Labor  
2nd thru 5th year part only  
service compressor  
(U.S.A. and Canada)

**Note: Information is subject to change at any time. Visit [www.federalind.com](http://www.federalind.com) for the most current specs.**

AIA #	<b>VISION SERIES - Square End Self-Serve Refrigerated Case - 60"</b>
SIS #	<b>Product Specifications</b>

Intended Environment: Type II (Self Contained and Remote) - Designed to operate in maximum ambient conditions of 80°F (24°C) and 55% relative humidity.		
<b>Zone</b>	<b>Intended Product To Be Displayed</b>	<b>Avg Prod Temp °F/°C</b>
All	Packaged Refrigerated Products	38°F / (3.3°C)

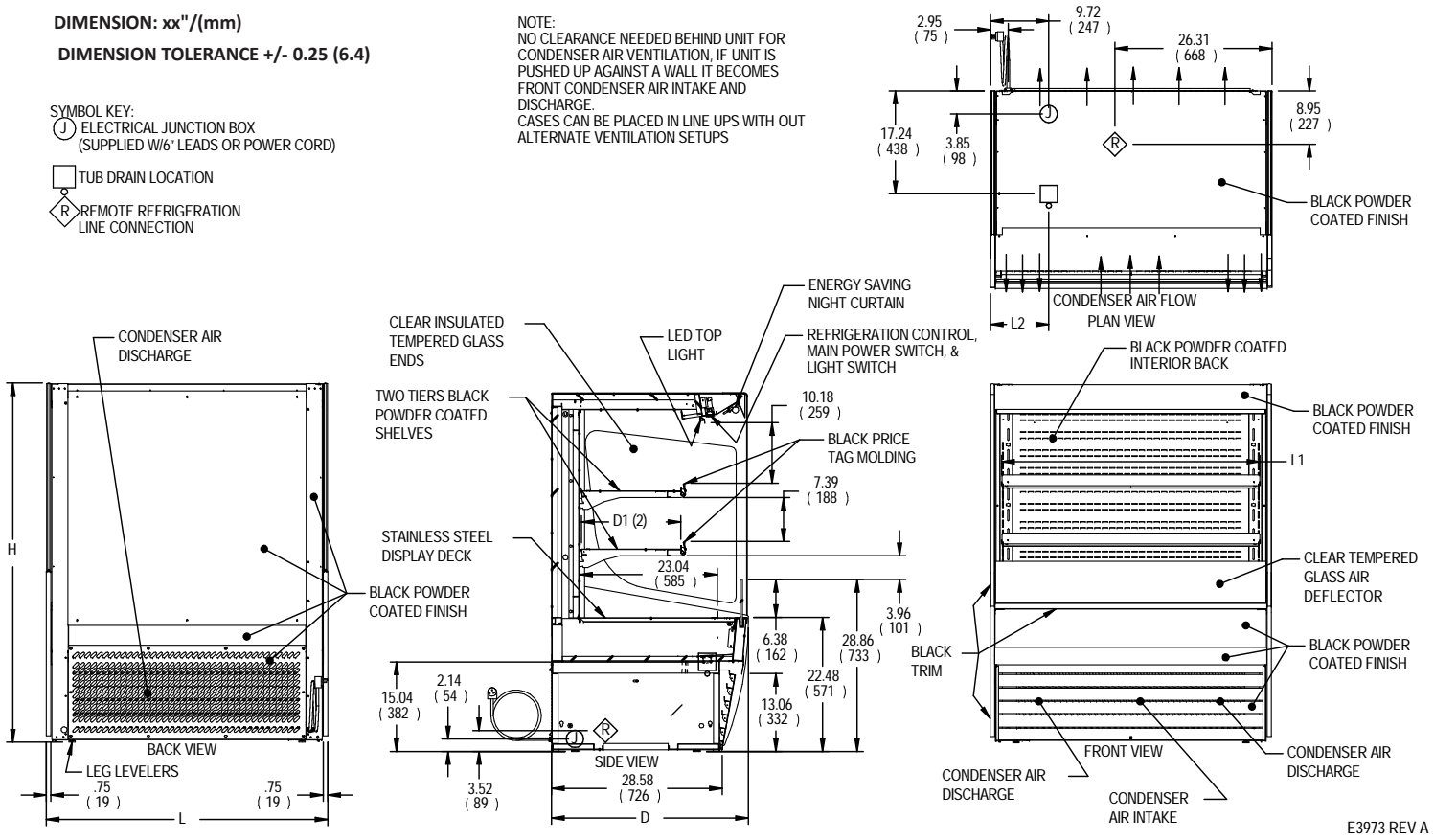
**DIMENSION: xx" / (mm)**

**DIMENSION TOLERANCE +/- 0.25 (6.4)**

**SYMBOL KEY:**

- J ELECTRICAL JUNCTION BOX (SUPPLIED W/6' LEADS OR POWER CORD)
- T TUB DRAIN LOCATION
- R REMOTE REFRIGERATION LINE CONNECTION

**NOTE:**  
 NO CLEARANCE NEEDED BEHIND UNIT FOR CONDENSER AIR VENTILATION, IF UNIT IS PUSHED UP AGAINST A WALL IT BECOMES FRONT CONDENSER AIR INTAKE AND DISCHARGE.  
 CASES CAN BE PLACED IN LINE UPS WITH OUT ALTERNATE VENTILATION SETUPS



E3973 REV A

MODEL	DIMENSIONS			TUB DRAIN	SHELVING			INTERIOR VOLUME CU FT	ELECTRICAL			STANDARD CONNECTION CORD & PLUG			REFRIG	C.U. HP	SHIP WT		PERMANENT CONNECT		REFRIG	BTU'S @ +20°	SHIP WT	
									2 WIRE + GROUND	AMPS	MAX FUSE	NEMA CORD & PLUG	LBS	KILO			AMPS	MAX FUSE	LBS	KILO				
	in	in	in	in	# OF TIERS	in	in	in							in									
	mm	mm	mm	mm	mm	mm	mm	mm	mm	mm	mm	mm	mm	mm	mm	mm	mm	mm	mm	mm	mm	mm	mm	mm
VRSS3660S	36	33	60	6.74	2	32.25	16.634	13.98	120/60/1	12.7	20	NEMA 5-20P	R449A	3/4	535	2.5	15	R449A	6,720	490				
	914	838	1524	171		819	423								243						222			
VRSS4860S	47.25	33	60	13.49	2	43.25	16.634	18.48	208-240/60/1	12.5	20	NEMA 6-20P	R449A	1	620	3.0	15	R449A	9,580	580				
	1200	838	1524	343		1099	423								281						263			
VRSS6060S	59.25	33	60	14.12	2	55.25	16.634	23.39	208-240/60/1	13.5	20	NEMA 6-20P	R449A	1-1/4	755	3.5	15	R449A	11,200	710				
	1505	838	1524	359		1403	423								342						322			
VRSS7260S	71.25	33	60	20.12	2	67.25	16.634	28.30	208-240/60/1	13.7	20	NEMA 6-20P	R449A	1-1/4	845	3.5	15	R449A	12,300	800				
	1810	838	1524	511		1708	423								383						363			

- Due to continuing engineering improvements, specifications are subject to change without notice
- Case temperature will vary if the air curtain is disrupted.



**FEDERAL INDUSTRIES**  
 A Standex Company  
 215 Federal Avenue Belleville, Wisconsin 53508-9201

**Phone:** 800-356-4206  
**Fax:** 608-424-3234  
**Email:** Geninfo@Federalind.com  
**Website:** Federalind.com