



The Signature of Quality®

**FEDERAL INDUSTRIES**

A Standex Company

215 Federal Avenue  
Belleville, Wisconsin 53508-9201

Phone: 800-356-4206

Fax: 608-424-3234

Email: Geninfo@Federalind.com

Website: Federalind.com

Project Name: \_\_\_\_\_

Item #: \_\_\_\_\_

Model #: \_\_\_\_\_ Qty: \_\_\_\_\_

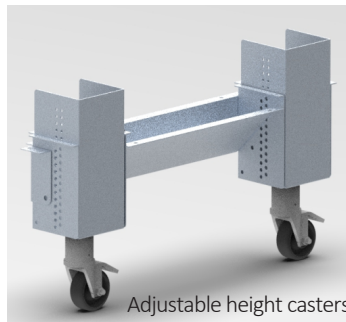
Approval: \_\_\_\_\_

AIA #

SIS #

**VISION SERIES - Square Ends Self-Serve Refrigerated Slide-In Display Case - 60"**

Designed with impulse sales in mind. Get maximum return from an attention-grabbing merchandiser and increase profits.



MODEL	DIMENSIONS (Includes End Panels)
<input type="checkbox"/> VRSS3660S-SLD	36 x 33 x 71.6 (in) 914 x 838 x 1524 (mm)
<input type="checkbox"/> VRSS4860S-SLD	47.25 x 33 x 71.6 (in) 1200 x 838 x 1524 (mm)
<input type="checkbox"/> VRSS6060S-SLD	59.25 x 33x 71.6 (in) 1505 x 838 x 1524 (mm)
<input type="checkbox"/> VRSS7260S-SLD	71.25 x 33x 71.6 (in) 1810 x 838 x 1524 (mm)

**STANDARD FEATURES**

**Model Features**

- Black interior including shelves
- Stainless steel display deck
- Tempered glass upper end panels
- Black powder coated base frame
- Black trim
- Rear air intake and discharge
- Adjustable height casters (3 ) with locks
- Adjustable from 3
- Cord & plug
- Energy saving night curtain

**Refrigeration**

- R449a refrigerant
- Electronic temperature control maintains 38°-40°F (3.3°-4.4°C) Note: Case temperatures will vary if the air curtain is disrupted.
- Digital thermometer
- Clear coil on demand defrost
- Coated evaporator coil

**Shelving**

- Two tiers of adjustable black metal shelves with black price tag molding
- Shelves can be flat or slanted down at 10°

**Lighting**

- 3500K LED top light

**Agency Approvals**

- UL, C-UL and UL Sanitation listed to NSF-7, Type II conditions
- DOE 2017 compliant

**OPTIONAL ACCESSORIES**

- |   |  |
|---|--|
| <input type="checkbox"/> White interior (including shelves)           | <input type="checkbox"/> Graphics package  |
| <input type="checkbox"/> Stainless steel interior (including shelves) | <input type="checkbox"/> Clear or reflective glass, sliding rear doors (Solid hinged on 36" cases) |
| <input type="checkbox"/> Stainless steel shelves in lieu of black     | <input type="checkbox"/> Black polycarbonate removable locking security cover                      |
| <input type="checkbox"/> Additional lighted 3500K LED shelf (NO)      | <input type="checkbox"/> Roll-Down locking security cover (black, white, or gray)                  |
| <input type="checkbox"/> Deli meat pegs                               |  |
| <input type="checkbox"/> High-capacity condensate evaporator assembly |  |
| <input type="checkbox"/> Self-cleaning condenser                      |  |
| <input type="checkbox"/> o  |  |
| <input type="checkbox"/> k  |  |
| <input type="checkbox"/> o  |  |
| <input type="checkbox"/> h  |  |

\*Additional options available on the website and price list.



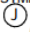

**WARRANTY\***  
One year Parts and Labor  
2nd thru 5th year part only  
service compressor  
(U.S.A. and Canada)

Note: Information is subject to change at any time. Visit [www.federalind.com](http://www.federalind.com) for the most current specs.

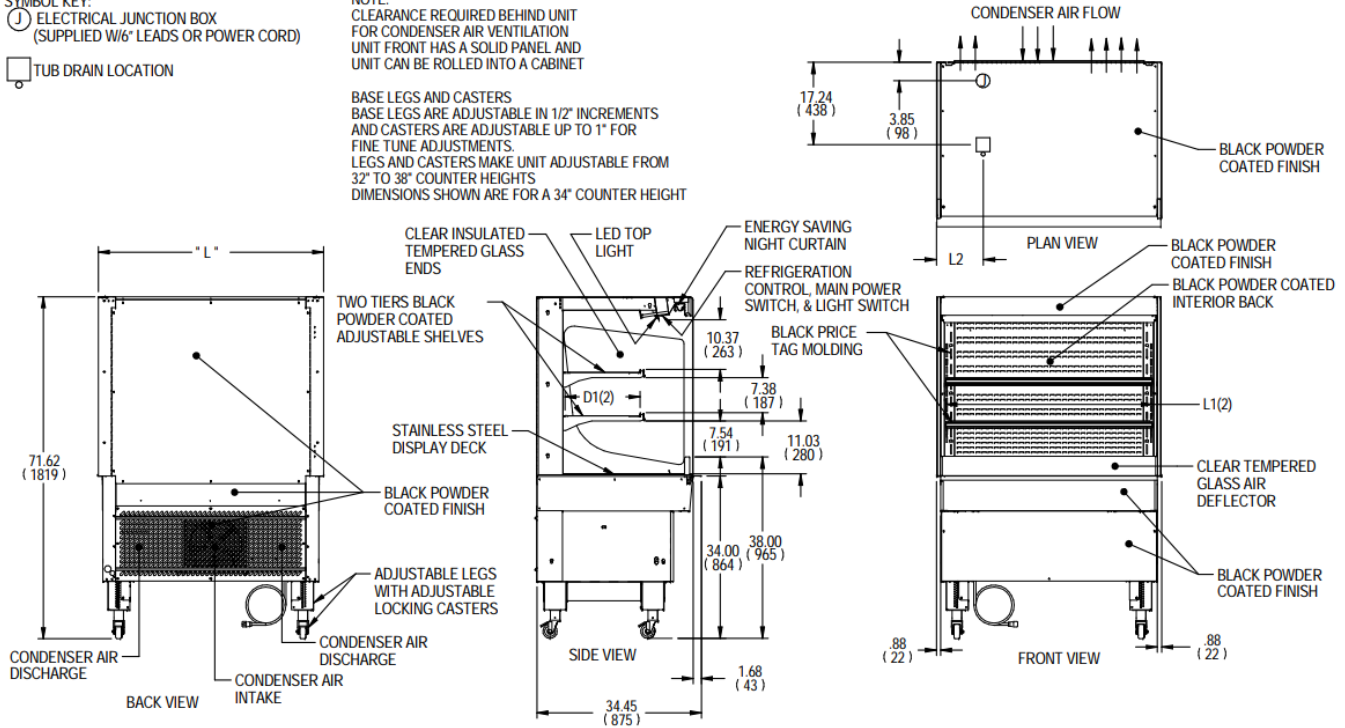
AIA #	<b>VISION SERIES - Square Ends Self-Serve Refrigerated Slide-In Display Case - 60"</b>
SIS #	Product Specifications

Intended Environment: Type II (Self Contained) - Designed to operate in maximum ambient conditions of 80°F (24°C) and 55% relative humidity.		
Zone	Intended Product To Be Displayed	Avg Prod Temp °F/°C
All	Packaged Refrigerated Products	38°F / (3.3°C)

**DIMENSION: xx"/(mm)**  
**DIMENSION TOLERANCE +/-**  
**0.25 (6.4)**

SYMBOL KEY:  
 ELECTRICAL JUNCTION BOX (SUPPLIED W/6' LEADS OR POWER CORD)  
 TUB DRAIN LOCATION

NOTE:  
 CLEARANCE REQUIRED BEHIND UNIT FOR CONDENSER AIR VENTILATION  
 UNIT FRONT HAS A SOLID PANEL AND UNIT CAN BE ROLLED INTO A CABINET  
 BASE LEGS AND CASTERS  
 BASE LEGS ARE ADJUSTABLE IN 1/2" INCREMENTS AND CASTERS ARE ADJUSTABLE UP TO 1" FOR FINE TUNE ADJUSTMENTS.  
 LEGS AND CASTERS MAKE UNIT ADJUSTABLE FROM 32" TO 38" COUNTER HEIGHTS  
 DIMENSIONS SHOWN ARE FOR A 34" COUNTER HEIGHT



E3973-3 REV A

MODEL	DIMENSIONS				TUB DRAIN	SHELVING		INTERIOR VOLUME CU FT	ELECTRICAL 2 WIRE + GROUND	STANDARD CONNECTION CORD & PLUG			REFRIGERANT	C.U. HP	CONDENSATE REMOVAL	SHIP WEIGHT LBS KILO	
	L	D	H	L2		# OF TIERS	L1			D1	AMPS	MAX FUSE SIZE					NEMA CORD &
	in	in	in	in			in			in							
VRSS3660S-SLD	36	33	71.6	6.74	2	32.25	16.634	13.98	120/60/1	12.7	20	NEMA 5-20P	R449A	3/4	INTEGRATED PAN	535	
	914	838	1819	171		819	423									243	
VRSS4860S-SLD	47.25	33	71.6	13.49	2	43.25	16.634	18.48	208-240/60/1	12.5	20	NEMA 6-20P	R449A	1	INTEGRATED PAN	620	
	1200	838	1819	343		1099	423									281	
VRSS6060S-SLD	59.25	33	71.6	14.12	2	55.25	16.634	23.39	208-240/60/1	13.5	20	NEMA 6-20P	R449A	1-1/4	INTEGRATED PAN	755	
	1505	838	1819	359		1403	423									342	
VRSS7260S-SLD	71.25	33	71.6	20.12	2	67.25	16.634	28.30	208-240/60/1	13.7	20	NEMA 6-20P	R449A	1-1/4	INTEGRATED PAN	845	
	1810	838	1819	511		1708	423									383	

- Case temperature will vary if the air curtain is disrupted.
- Due to continuing engineering improvements, specifications are subject to change without notice



**FEDERAL INDUSTRIES**  
 A Standex Company  
 215 Federal Avenue Belleville, Wisconsin 53508-9201

**Phone:** 800-356-4206  
**Fax:** 608-424-3234  
**Email:** Geninfo@Federalind.com  
**Website:** Federalind.com