



The Signature of Quality®

FEDERAL INDUSTRIES

A Standex Company

215 Federal Avenue
Belleville, Wisconsin 53508-9201

Phone: 800-356-4206

Fax: 608-424-3234

Email: Geninfo@Federalind.com

Website: Federalind.com

Project Name: _____

Item #: _____

Model #: _____ Qty: _____

Approval: _____

AIA #

SIS #

VISION SERIES - High Profile Self-Serve Refrigerated Case - 60"

Designed with impulse sales in mind. Get maximum return from an attention-grabbing case and increase profits.



Model VRSS3660C Solid Ends Shown

MODEL	DIMENSIONS (Includes End Panels)
<input type="checkbox"/> VRSS3660C	36 x 33 x 60 (in) 914 x 838 x 1524 (mm)
<input type="checkbox"/> VRSS4860C	47.25 x 33 x 60 (in) 1200 x 838 x 1524 (mm)
<input type="checkbox"/> VRSS6060C	59.25 x 33 x 60 (in) 1505 x 838 x 1524 (mm)
<input type="checkbox"/> VRSS7260C	71.25 x 33 x 60 (in) 1810 x 838 x 1524 (mm)

STANDARD FEATURES

Model Features

- Black interior including shelves
- Stainless steel display deck
- Tempered glass ends
- Black powder coated base frame
- Moisture resistant end panel construction
- Choice of standard colors on lower millwork panel
- Black trim
- Adjustable leg levelers
- Cord & plug, self-contained only
- Front air intake / front & rear discharge
- Energy saving night curtain
- Matches profile of the VRSS & VHSS models

Refrigeration

- R449a refrigerant
- Electronic temperature control maintains 38° - 40°F (3.3° - 4.4°C) Note: Case temperatures will vary if the air curtain is disrupted.
- Digital thermometer
- Clear coil on demand defrost
- Coated evaporator coil
- Universal breathe (Front air in with front or rear air out) (Rear air in and out optional)

Shelving

- Two tiers of adjustable black metal shelves with black price tag molding.
- Shelves can be flat or slanted down at 10°

Lighting

- 3500K LED top light

Agency Approvals

- UL, C-UL, and UL Sanitation listed to NSF-7, Type II conditions
- DOE 2017 compliant

OPTIONAL ACCESSORIES

- 3500K LED lights below shelves
- White interior (including shelves)
- Stainless steel interior (including shelves)
- Stainless steel shelves in lieu of black
- Deli meat pegs
- Additional lighted 3500K LED shelf
- High-capacity condensate evaporator assembly
- Condensate evaporator assembly (field install) (separate 120V, 20A circuit required) (remote only)
- Remote refrigeration with condensate pump (EEV included)
- Self-cleaning condenser
- Rear air intake and discharge
- Stainless steel exterior finish
- Premium exterior laminate
- Graphics package
- Solid end panels (mirrored interior)
- Reflective end glass
- Clear or reflective glass, sliding rear doors (Solid hinged on 36" cases)
- 6" legs (152mm)
- Seismic legs
- Skirt w/4" casters or legs
- 2 1/2" (63.5mm) recessed or 4" (101.6mm) casters (self-contained models only) (Weight limits may apply)
- Joining kit for continuous line-ups (not available with casters)
- Front wire display basket
- Front cart bumper
- Black polycarbonate removable locking security cover

*Additional options available on the website and price list



WARRANTY*
One year Parts and Labor
2nd thru 5th year part only
service compressor
(U.S.A. and Canada)

Note: Information is subject to change at any time. Visit www.federalind.com for the most current specs.

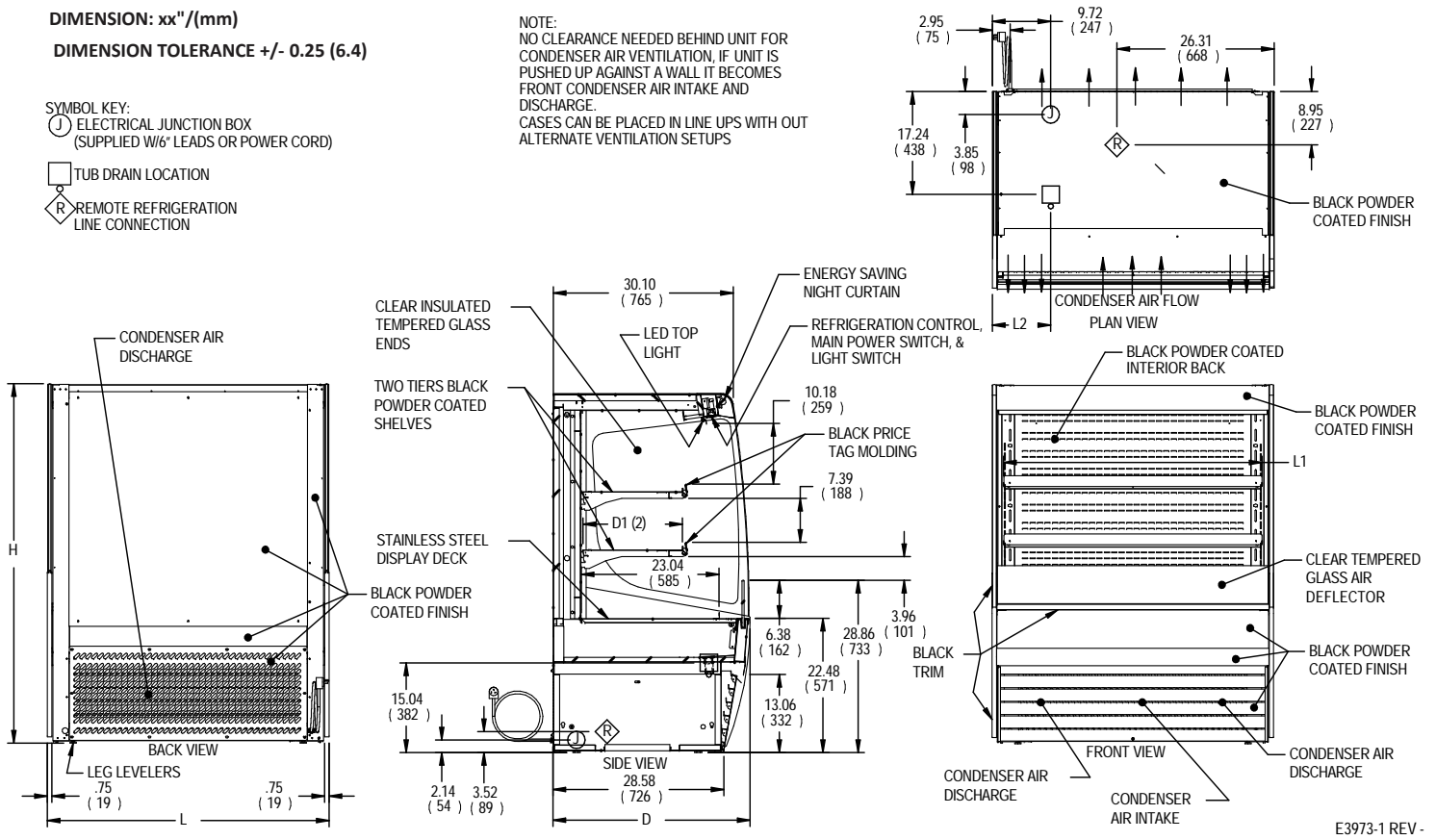
AIA #	VISION SERIES - High Profile Self-Serve Refrigerated Case - 60"
SIS #	Product Specifications

Intended Environment: Type II (Self Contained and Remote) - Designed to operate in maximum ambient conditions of 80°F (24°C) and 55% relative humidity.		
Zone	Intended Product To Be Displayed	Avg Prod Temp °F/°C
All	Packaged Refrigerated Products	38°F / [3.3°C]

DIMENSION: xx"/(mm)
DIMENSION TOLERANCE +/- 0.25 (6.4)

- SYMBOL KEY:**
- J ELECTRICAL JUNCTION BOX (SUPPLIED W/6' LEADS OR POWER CORD)
 - T TUB DRAIN LOCATION
 - R REMOTE REFRIGERATION LINE CONNECTION

NOTE:
 NO CLEARANCE NEEDED BEHIND UNIT FOR CONDENSER AIR VENTILATION, IF UNIT IS PUSHED UP AGAINST A WALL IT BECOMES FRONT CONDENSER AIR INTAKE AND DISCHARGE.
 CASES CAN BE PLACED IN LINE UPS WITH OUT ALTERNATE VENTILATION SETUPS



E3973-1 REV -

MODEL	DIMENSIONS			TUB DRAIN	SHELVING			INTERIOR VOLUME CU FT	STANDARD CONNECTION CORD & PLUG				REFRIG	C.U. HP	CONDENSATE REMOVAL	SHIP WGHT LBS	PERMANENT CONNECT			SHIP WGHT KILO					
	L	D	H	L2	# OF TIERS	L1	D1		ELECTRICAL	AMPS	MAX FUSE SIZE	NEMA CORD & PLUG					REFRIG	C.U. HP	CONDENSATE REMOVAL		SHIP WGHT LBS	2 WIRE + GROUND	REFRIG	BTU'S @ 26'	CONDENSATE REMOVAL
	in	in	in	in		in	in																		
	mm	mm	mm	mm	mm	mm	mm		2 WIRE + GROUND	AMPS	MAX FUSE SIZE	NEMA CORD & PLUG					REFRIG	CONDENSATE REMOVAL	CONDENSATE REMOVAL						
VRSS3660C	36	33	60	6.74	2	32.25	16.634	13.98	120/60/1	12.7	20	NEMA 5-20P	R449A	3/4	INTEGRATED PAN	535	2.5	15	R449A	6,720	PUMP	490			
	914	838	1524	171		819	423									243						222			
VRSS4860C	47.25	33	60	13.49	2	43.25	16.634	18.48	208-240/60/1	12.5	20	NEMA 6-20P	R449A	1	INTEGRATED PAN	620	3.0	15	R449A	9,580	PUMP	580			
	1200	838	1524	343		1099	423									281						263			
VRSS6060C	59.25	33	60	14.12	2	55.25	16.634	23.39	208-240/60/1	13.5	20	NEMA 6-20P	R449A	1-1/4	INTEGRATED PAN	755	3.5	15	R449A	11,200	PUMP	710			
	1505	838	1524	359		1403	423									342						322			
VRSS7260C	71.25	33	60	20.12	2	67.25	16.634	28.30	208-240/60/1	13.7	20	NEMA 6-20P	R449A	1-1/4	INTEGRATED PAN	845	3.5	15	R449A	12,300	PUMP	800			
	1810	838	1524	511		1708	423									383						363			

- Due to continuing engineering improvements, specifications are subject to change without notice.
- Case temperature will vary if the air curtain is disrupted.



FEDERAL INDUSTRIES
 A Standex Company
 215 Federal Avenue Belleville, Wisconsin 53508-9201

Phone: 800-356-4206
Fax: 608-424-3234
Email: Geninfo@Federalind.com
Website: Federalind.com