



The Signature of Quality®

FEDERAL INDUSTRIES

A Standex Company

215 Federal Avenue
Belleville, Wisconsin 53508-9201

Phone: 800-356-4206

Fax: 608-424-3234

Email: Geninfo@Federalind.com

Website: Federalind.com

Project Name: _____

Item #: _____

Model #: _____ Qty: _____

Approval: _____

AIA #

SIS #

VISION SERIES - Curved End Self-Serve Non- Refrigerated Merchandiser - 78"

Designed with impulse sales in mind. Get maximum return from an attention-grabbing merchandiser and increase profits.



Model VNSS3678C
Shown with Options

MODEL	DIMENSIONS (Includes End Panels)
<input type="checkbox"/> VNSS3678C	36 x 33 x 78 (in) 914 x 838 x 1981 (mm)
<input type="checkbox"/> VNSS4878C	47.25 x 33 x 78 (in) 1200 x 838 x 1981 (mm)
<input type="checkbox"/> VNSS6078C	59.25 x 33 x 78 (in) 1505 x 838 x 1981 (mm)
<input type="checkbox"/> VNSS7278C	71.25 x 33 x 78 (in) 1810 x 838 x 1981 (mm)

STANDARD FEATURES

Model Features

- Black interior including shelves
- Stainless steel display deck
- Black powder coated base frame
- Tempered glass ends
- Moisture resistant end panel construction
- Choice of six standard colors on lower millwork panel
- Black trim
- Adjustable leg levelers
- Matches profile of the VRSS & VHSS models

Shelving

- Two tiers of adjustable black metal shelves with price tag molding. Shelves can be flat or slanted downwards at 10°

Lighting

- 3500K LED top light

Agency Approvals

- UL, C-UL, NSF2

OPTIONAL ACCESSORIES

- | | |
|---|---|
| <input type="checkbox"/> 3500K LED lights below shelves | <input type="checkbox"/> Clear or reflective sliding rear doors (solid hinged on 36" cases) |
| <input type="checkbox"/> White interior (including shelves) | <input type="checkbox"/> Front cart bumper |
| <input type="checkbox"/> Stainless steel interior (including shelves) | <input type="checkbox"/> Recessed casters |
| <input type="checkbox"/> Stainless steel shelves in lieu of black | <input type="checkbox"/> 2 1/2" or 4" casters |
| <input type="checkbox"/> Deli meat pegs | <input type="checkbox"/> Legs, 6" |
| <input type="checkbox"/> Additional lighted 3500K LED shelf | <input type="checkbox"/> Seismic legs |
| <input type="checkbox"/> Special exterior laminate finish | <input type="checkbox"/> Skirt w/4" casters or legs |
| <input type="checkbox"/> Graphics Package | <input type="checkbox"/> Joining kit for continuous line-ups |
| <input type="checkbox"/> Stainless steel exterior finish | <input type="checkbox"/> Front wire display basket |
| <input type="checkbox"/> Solid right/left end panels (mirrored) | |
| <input type="checkbox"/> Reflective end glass | |

*Additional options available on the website and price list.



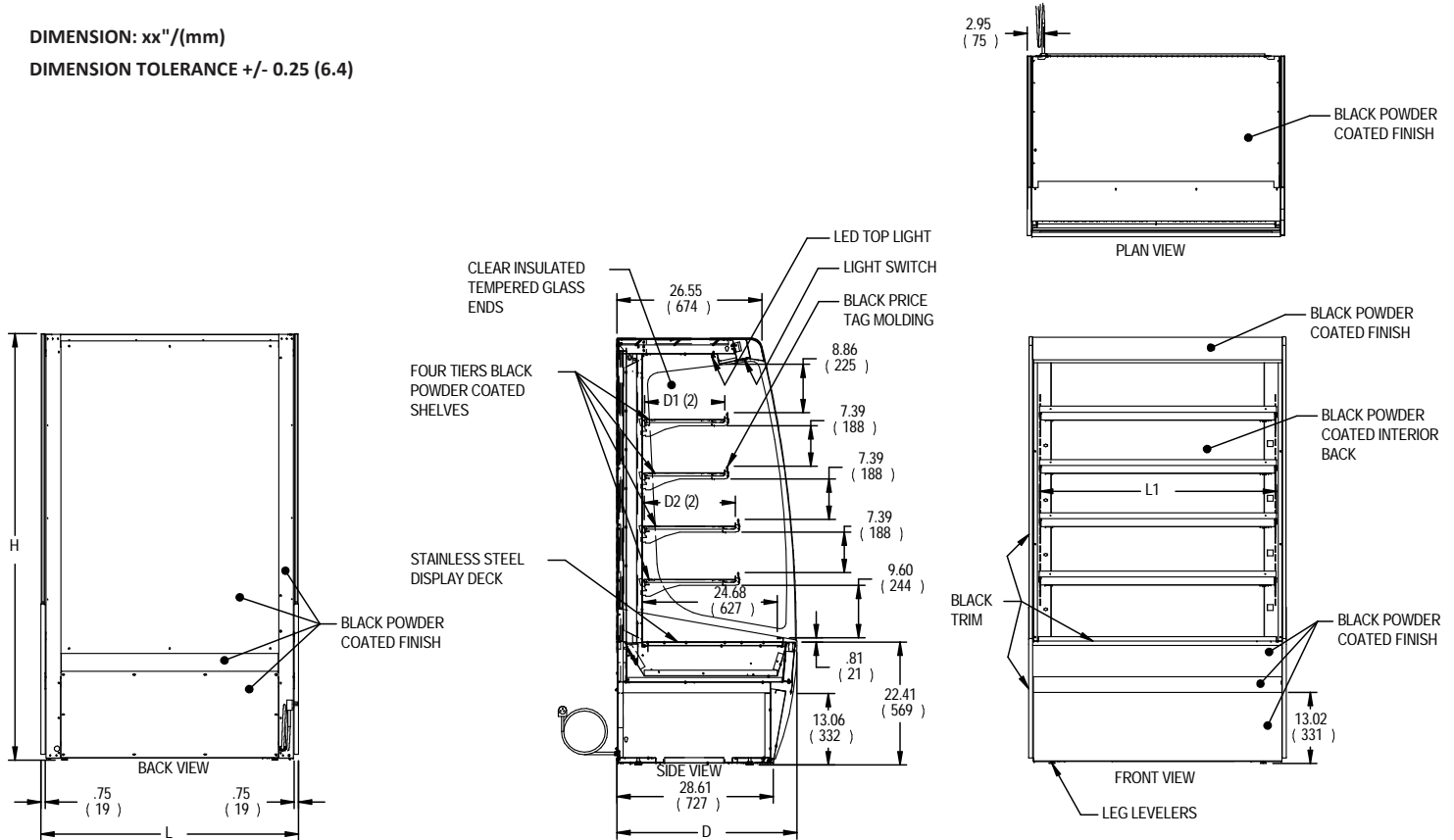
WARRANTY*
One year Parts and Labor
2nd thru 5th year part only
service compressor
(U.S.A. and Canada)

Note: Information is subject to change at any time. Visit www.federalind.com for the most current specs.

AIA #	VISION SERIES - Curved End Self-Serve Non- Refrigerated Merchandiser - 78"
SIS #	
Product Specifications	

Zone	Intended Product To Be Displayed	
All	Non-Refrigerated Package Products	

DIMENSION: xx"/(mm)
DIMENSION TOLERANCE +/- 0.25 (6.4)



E3978-1 REV -

MODEL	DIMENSIONS			# OF TIERS	SHELVING			INTERIOR VOLUME CU FT	STANDARD CONNECTION CORD & PLUG			SHIP WEIGHT
	L	D	H		L1	D1	D2		2 WIRE + GROUND		NEMA CORD & PLUG	
	in	in	in		in	in	in		120/60/1			
	mm	mm	mm		mm	mm	mm		AMPS	MAX FUSE SIZE	KILO	
VNSS3678C	36	33	78	4	32.25	14.634	16.634	19.47	1.5	15	NEMA 5-15P	655
	914	838	1981		819	372	423					297
VNSS4878C	47.25	33	78	4	43.25	14.634	16.634	25.74	1.5	15	NEMA 5-15P	735
	1200	838	1981		1099	372	423					333
VNSS6078C	59.25	33	78	4	55.25	14.634	16.634	32.58	2.0	15	NEMA 5-15P	940
	1505	838	1981		1403	372	423					426
VNSS7278C	71.25	33	78	4	67.25	14.634	16.634	39.42	2.0	15	NEMA 5-15P	995
	1810	838	1981		1708	372	423					451

• Due to continuing engineering improvements, specifications are subject to change without notice.



ANSI/NSF 2



FEDERAL INDUSTRIES
 A Standex Company
 215 Federal Avenue Belleville, Wisconsin 53508-9201

Phone: 800-356-4206
Fax: 608-424-3234
Email: Geninfo@Federalind.com
Website: Federalind.com