



The Signature of Quality®

### FEDERAL INDUSTRIES

A Standex Company

215 Federal Avenue Belleville  
Wisconsin 53508-9201

Phone: 800-356-4206

Fax: 608-424-3234

Email: Geninfo@Federalind.com

Website: Federalind.com

Project Name: \_\_\_\_\_

Item #: \_\_\_\_\_

Model #: \_\_\_\_\_ Qty: \_\_\_\_\_

Approval: \_\_\_\_\_

AIA #

SIS #

## Italian Glass Series - Heated Display Case 34"

Designed for customers looking for rich, up-scale Italian styling for maximum visual appeal that will drive product sales.



Model ITH4834-B18  
Shown with Options

| MODEL                                | DIMENSIONS<br>(Includes End Panels)            |
|--------------------------------------|--|
| <input type="checkbox"/> ITH3634-B18 | 36 x 30.75 x 52 (in)<br>914 x 762 x 1321 (mm)  |
| <input type="checkbox"/> ITH4834-B18 | 48 x 30.75 x 52 (in)<br>1219 x 762 x 1321 (mm) |
| <input type="checkbox"/> ITH6034-B18 | 60 x 30.75 x 52 (in)<br>1524 x 762 x 1321 (mm) |

### STANDARD FEATURES

#### Model Features

- All tempered glass construction
- Tilt-out front glass for easy cleaning
- Removable sliding glass rear doors
- Stainless steel interior
- Powder coated steel base assembly with a choice of standard laminates
- Adjustable leg levelers
- Cord & plug

#### Shelving

- Adjustable stainless steel shelves are adjustable up and down and can be tilted in two positions ( 0°/ 5° angle). 34" (864mm) models have three tiers of shelves.

#### Lighting

- 3500K LED top light and shelf lights
- DLC certified, IP66 rated

#### Agency Approvals

- UL, C-UL, and UL Sanitation Listed to NSF-4

### OPTIONAL ACCESSORIES

- |  |  |
|--|--|
| <input type="checkbox"/> Special base laminates                              | <input type="checkbox"/> 6"/152mm Legs with or without skirt                             |
| <input type="checkbox"/> Glass shelving                                      | <input type="checkbox"/> Rear package shelf  |
| <input type="checkbox"/> Reflective rear doors                               | <input type="checkbox"/> Joining kit for continuous line-ups - Available w/ divider only |
| <input type="checkbox"/> Reflective end glass                                |  |
| <input type="checkbox"/> Humidity package                                    |  |
| <input type="checkbox"/> 2 ½" (63.5 mm) or 4"/102mm casters recessed casters |  |



**WARRANTY\***  
One year Parts and Labor  
2nd thru 5th year part only  
service compressor  
(U.S.A. and Canada)

Note: Information is subject to change at any time. Visit [www.federalind.com](http://www.federalind.com) For the most current specs.

|       |   |
|-------|---|
| AIA # | <b>Italian Glass Series - Heated Display Case 34"</b> |
| SIS # | Product Specifications                                |

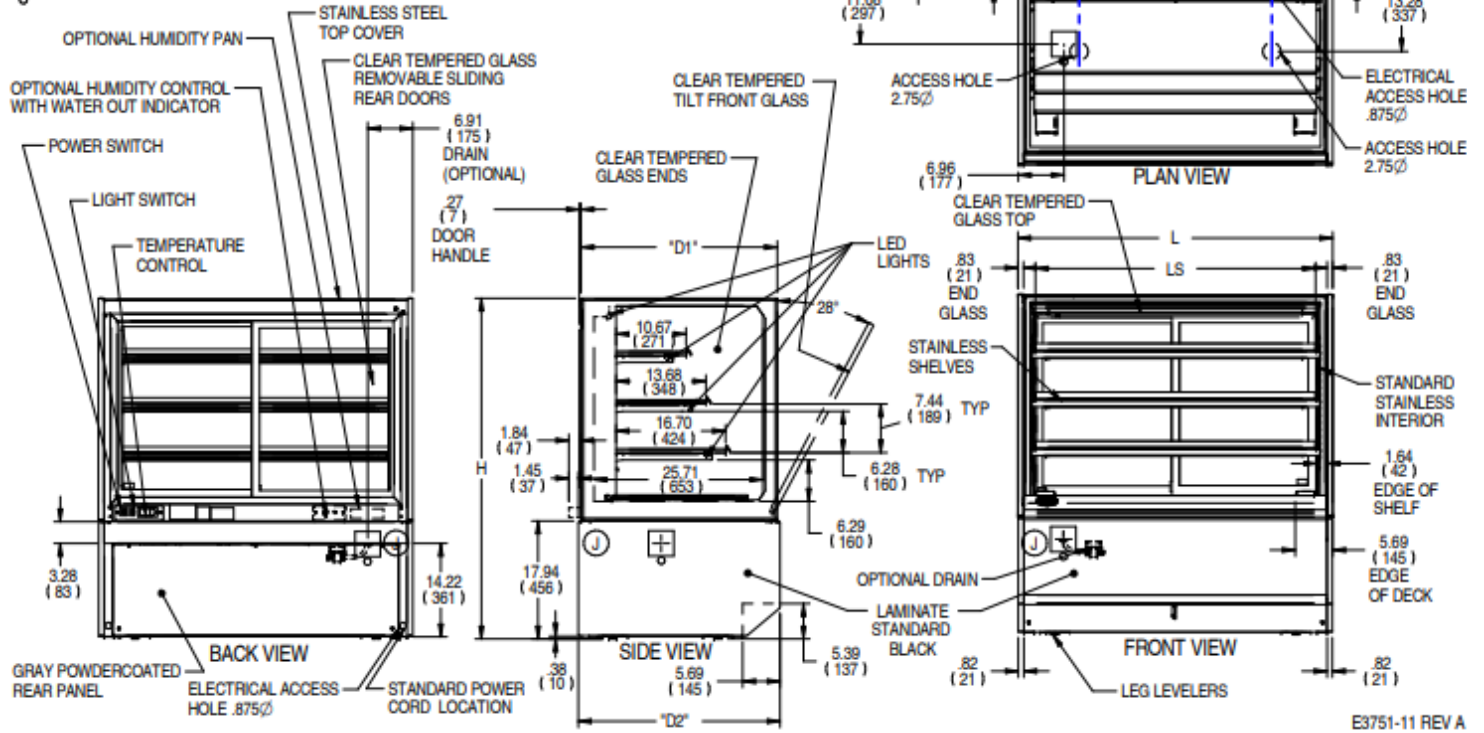
|      |   |                       |
|------|---|-----------------------|
| Zone | Intended product to be displayed        | Avg prod temp °F / °C |
| All  | Packages and Unpackaged Heated Products | 160°F/(71.1°C)        |

DIMENSION: xx"/(mm)

**SYMBOL KEY:**

Ⓝ ELECTRICAL JUNCTION BOX (SUPPLIED W/6" LEADS OR POWER CORD)

☐ HUMIDITY PAN DRAIN LOCATION (HUMIDITY PACKAGE ONLY)



E3751-11 REV A

| MODEL       | DIMENSIONS |     |       |      | # OF TIERS | SHELVING |      |      |       | DISPLAY AREA SQ IN | INTERIOR VOLUME CU FT | PERMANENT CONNECT 2-WIRE + GROUND 208-240/60/1 |               | OPTIONAL NEMA CORD & PLUG 2-WIRE + GROUND 208-240/60/1 | SHIP WEIGHT |      |
|-------------|------------|-----|-------|------|------------|----------|------|------|-------|--------------------|-----------------------|--|---------------|--|-------------|------|
|             | L          | D1  | D2    | H2   |            | DT       | DT   | DB   | LS    |                    |                       | AMPS   | MAX FUSE SIZE |  |             | LBS  |
|             | in         | in  | in    | in   |            | in       | in   | in   | in    |                    |                       |  |               |  |             | KILO |
| ITH3634-B18 | 36         | 30  | 30.75 | 52   | 2          | 11.5     | 14.5 | 17.5 | 30.73 | 1630               | 11.4                  | 9 @ 208  | 15            | NEMA 6-15P   | 725         |      |
|             | 914        | 762 | 781   | 1321 |            | 292      | 368  | 445  | 781   |                    |                       | 12 @ 240                                       |               |  | 329         |      |
| ITH4834-B18 | 48         | 30  | 30.75 | 52   | 2          | 11.5     | 14.5 | 17.5 | 42.73 | 2240               | 15.4                  | 9 @ 208  | 15            | NEMA 6-15P   | 775         |      |
|             | 1219       | 762 | 781   | 1321 |            | 292      | 368  | 445  | 1085  |                    |                       | 12 @ 240                                       |               |  | 351         |      |
| ITH6034-B18 | 60         | 30  | 30.75 | 52   | 2          | 11.5     | 14.5 | 17.5 | 54.73 | 2850               | 19                    | 9 @ 208  | 15            | NEMA 6-15P   | 900         |      |
|             | 1524       | 762 | 781   | 1321 |            | 292      | 368  | 445  | 1390  |                    |                       | 12 @ 240                                       |               |  | 408         |      |

• Due to continuing engineering improvements, specifications are subject to change without notice



ANSI/NSF 4



**FEDERAL INDUSTRIES**

A Standex Company

215 Federal Avenue Belleville, Wisconsin 53508-9201

Phone: 800-356-4206

Fax: 608-424-3234

Email: [Geninfo@Federalind.com](mailto:Geninfo@Federalind.com)

Website: [Federalind.com](http://Federalind.com)