



The Signature of Quality

**FEDERAL INDUSTRIES**

A Standex Company

215 Federal Avenue Belleville  
Wisconsin 53508-9201

Phone: 800-356-4206

Fax: 608-424-3234

Email: Geninfo@Federalind.com

Website: Federalind.com

Project Name: \_\_\_\_\_

AIA #

Item #: \_\_\_\_\_

Model #: \_\_\_\_\_ Qty: \_\_\_\_\_

SIS #

Approval: \_\_\_\_\_

## Italian Glass Non-Refrigerated Self Serve Counter Display Case

Designed for customers looking for rich, up-scale Italian styling for maximum visual appeal that will drive product sales.



Model ITRSS3634 Shown  
\*Counter Not Provided

MODEL	DIMENSIONS (Includes End Panels)
<input type="checkbox"/> ITDSS3626	36 x 30 x 26 (in) 914 x 762 x 661 (mm)
<input type="checkbox"/> ITDSS4826	48 x 30 x 26 (in) 1219 x 762 x 661 (mm)
<input type="checkbox"/> ITDSS6026	60 x 30 x 26 (in) 1524 x 762 x 661 (mm)
<input type="checkbox"/> ITDSS3634	36 x 30 x 34 (in) 914 x 762 x 864 (mm)
<input type="checkbox"/> ITDSS4834	48 x 30 x 34 (in) 1219 x 762 x 864 (mm)
<input type="checkbox"/> ITDSS6034	60 x 30 x 34 (in) 1524 x 762 x 864 (mm)

### STANDARD FEATURES

#### Model Features

- All tempered glass construction
- Tilt-out front glass for easy cleaning
- Removable sliding glass rear doors
- Stainless steel interior
- Cord & Plug

#### Shelving

- Adjustable tempered glass shelves. Shelves are adjustable up and down and can be tilted in two positions (0°/5° angle)
- 34" (864mm) models have three tiers of shelves; 26" (660 mm) models have two tiers of shelves

#### Lighting

- 3500K LED top light and shelf lights
- DLC certified, IP66 rated

#### Agency Approvals

- UL and UL Sanitation Listed to NSF-2
- DOE 2017 Compliant.

### OPTIONAL ACCESSORIES

- o      o      o
- k      k      )
- k      -
- K      M      #      O



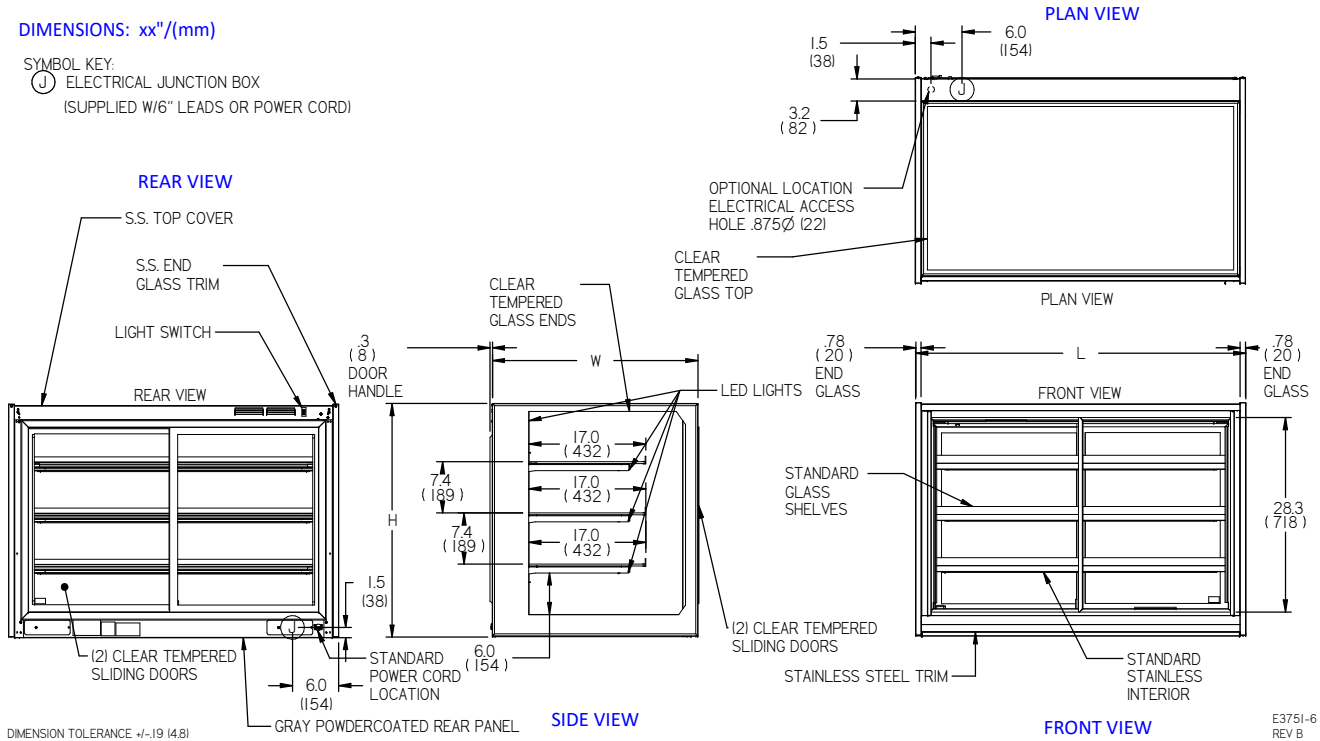
Note: Information is subject to change at any time. Visit [www.federalind.com](http://www.federalind.com) For the most current specs.

AIA #	<h1>Italian Glass Non-Refrigerated Self Serve Counter Display Case</h1>
SIS #	<b>Product Specifications</b>

<b>Zone</b>	<b>Intended product to be displayed</b>	<b>Avg prod temp °F / °C</b>
All	Non-refrigerated food products	N / A

**DIMENSIONS: xx"/(mm)**

SYMBOL KEY:  
 ELECTRICAL JUNCTION BOX  
 (SUPPLIED W/6" LEADS OR POWER CORD)



E3751-6  
REV B

MODEL	DIMENSIONS				SHIPPING WHT		VOLTAGE	AMPS	NEMA PLUG
	L	D	H	UNITS	LBS	KILO			
ITDSS3626	36	30	26	in.	250	113	120/60/1	MAX FUSE 15	NEMA 5-15P
	914	762	661	mm.					
ITDSS4826	48	30	26	in.	325	147	120/60/1	MAX FUSE 15	NEMA 5-15P
	1219	762	661	mm.					
ITDSS6026	60	30	26	in.	450	204	120/60/1	MAX FUSE 15	NEMA 5-15P
	1524	762	661	mm.					
ITDSS3634	36	30	34	in.	275	125	120/60/1	MAX FUSE 15	NEMA 5-15P
	914	762	864	mm.					
ITDSS4834	48	30	34	in.	350	159	120/60/1	MAX FUSE 15	NEMA 5-15P
	1219	762	864	mm.					
ITDSS6034	60	30	34	in.	475	216	120/60/1	MAX FUSE 15	NEMA 5-15P
	1524	762	864	mm.					

• Due to continuing engineering improvements, specifications are subject to change without notice.



**FEDERAL INDUSTRIES**  
 A Standex Company  
 215 Federal Avenue Belleville, Wisconsin 53508-9201

**Phone:** 800-356-4206  
**Fax:** 608-424-3234  
**Email:** Geninfo@Federalind.com  
**Website:** Federalind.com