



The Signature of Quality

### FEDERAL INDUSTRIES

A Standex Company

215 Federal Avenue Belleville  
Wisconsin 53508-9201

Phone: 800-356-4206

Fax: 608-424-3234

Email: Geninfo@Federalind.com

Website: Federalind.com

Project Name: \_\_\_\_\_

Item #: \_\_\_\_\_

Model #: \_\_\_\_\_ Qty: \_\_\_\_\_

Approval: \_\_\_\_\_

AIA #

SIS #

## Italian Glass Non-Refrigerated Self-Serve Merchandiser - Open Front

Designed for customers looking for a rich, up-scale Italian styling for maximum visual appeal that will drive product sales.



Model ITDSS4834F-B18  
Shown with options

MODEL	DIMENSIONS (Includes End Panels)
<input type="checkbox"/> ITDSS3626F-B18	36 x 33 x 44 (in) 914 x 838 x 1118 (mm)
<input type="checkbox"/> ITDSS4826F-B18	48 x 33 x 44 (in) 1219 x 838 x 1118 (mm)
<input type="checkbox"/> ITDSS6026F-B18	60 x 33 x 44 (in) 1524 x 838 x 1118 (mm)
<input type="checkbox"/> ITDSS3634F-B18	36 x 33 x 52 (in) 914 x 838 x 1321 (mm)
<input type="checkbox"/> ITDSS4834F-B18	48 x 33 x 52 (in) 1219 x 838 x 1321 (mm)
<input type="checkbox"/> ITDSS6034F-B18	60 x 33 x 52 (in) 1524 x 838 x 1321 (mm)

### STANDARD FEATURES

#### Model Features

- Powder coated steel base construction with a choice of six standard laminates
- Stainless steel interior
- Tempered thermo-pane glass construction
- Removable tempered sliding glass rear doors
- Adjustable Leg Levelers
- Cord & Plug [6"/1829mm]
- Open front

#### Shelving

- Adjustable tempered glass shelves. Shelves are adjustable up and down and can be tilted in two positions (0o/5o angle). 34" (864mm) models have three tiers of shelves; 26" (660 mm models have two tiers of shelves.

#### Lighting

- 3500K LED top light and shelf lights
- DLC Certified, IP66 rated

#### Agency Approvals

- UL, C-UL, and UL Sanitation Listed to NSF-2

### OPTIONAL ACCESSORIES

- Special Base Laminates
- Stainless Steel Shelving
- Reflective Ends
- 4"/102mm Casters
- Recessed Casters
- 6"/152mm Legs with or without skirt
- Rear Package
- Joining Kit for Continuous Line Ups



**WARRANTY\***  
One year: Parts and Labor  
2nd thru 5th year: part only  
service compressor  
(U.S.A. and Canada)


**Note: Information is subject to change at any time. Visit [www.federalind.com](http://www.federalind.com) For the most current specs.**

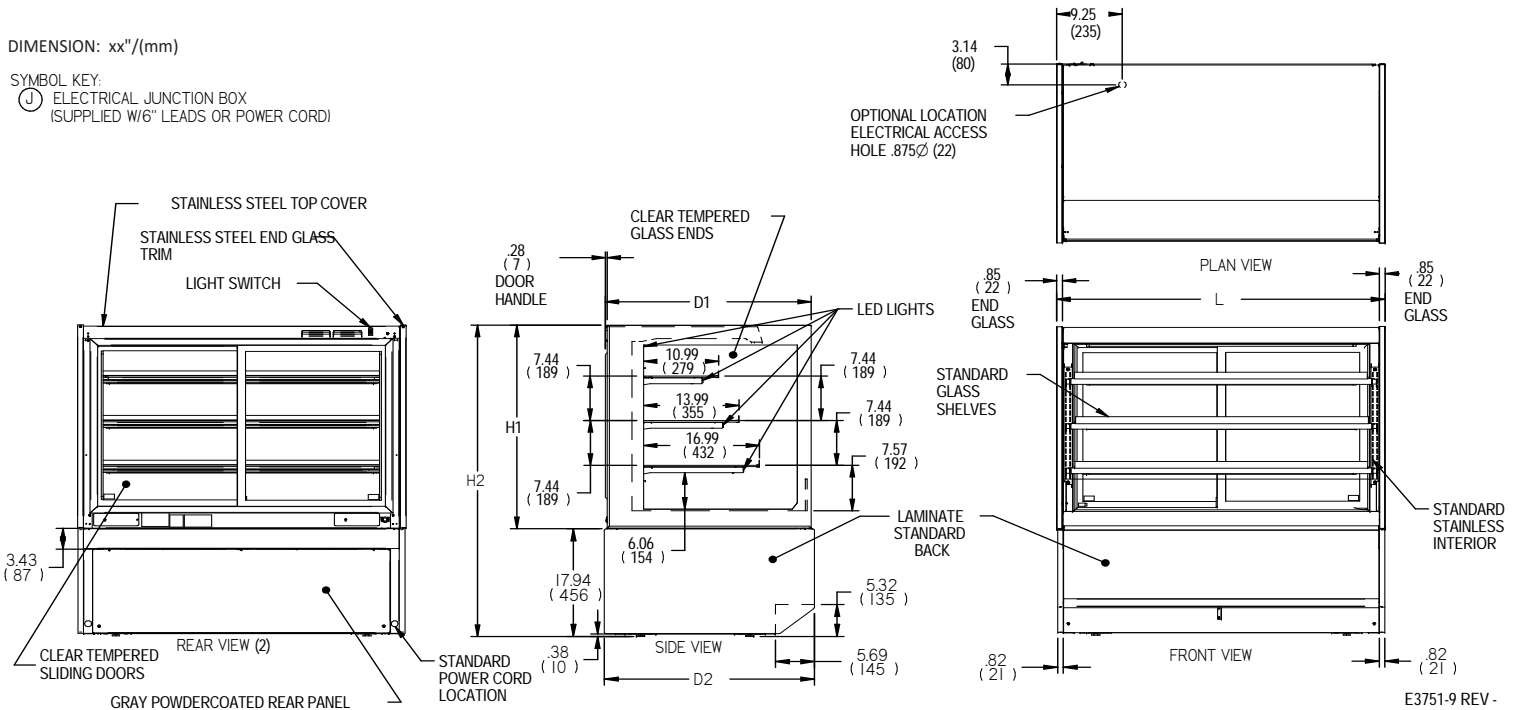
**AIA #**  
**SIS #**  
**Italian Glass Non-Refrigerated Self-Serve Merchandiser - Open Front**  
**Product Specifications**

Intended Environment: Type I - Designed to operate in ambient conditions of 75° F [24° C] and 55% relative humidity unless noted otherwise in system information below.

Zone	Intended product to be displayed	Avg prod temp °F / °C
All	Packaged non-refrigerated products	N/A

DIMENSION: xx"/(mm)

SYMBOL KEY:  
 ELECTRICAL JUNCTION BOX (SUPPLIED W/6" LEADS OR POWER CORD)



E3751-9 REV -

MODEL	DIMENSION					# OF TIERS	SHELVING				INTERIOR VOLUME CU FT	PERMANENT CONNECT		OPTIONAL NEMA CORD & PLUG	SHIP WEIGHT
	L	D1	D2	H1	H2		DT	DM	DB	L		2-WIRE + GROUND			
	in	in	in	in	in		in	in	in	in		120/60/1		2-WIRE + GROUND	LBS
	mm	mm	mm	mm	mm		mm	mm	mm	mm		AMPS	MAX FUSE SIZE	120/60/1	KILO
ITDSS3634F-B18	36.00	30.00	30.75	34.00	52.00	3	11	14	17	30.88	15.5 CU FT	1.5	15	NEMA 5-15P	575 LBS
	914	762	781	864	1321		279	356	432	784					261 KILO
ITDSS4834F-B18	48.00	30.00	30.75	34.00	52.00	3	11	14	17	42.88	21 CU FT	1.5	15	NEMA 5-15P	690 LBS
	1219	762	781	864	1321		279	356	432	1089					313 KILO
ITDSS6034F-B18	60.00	30.00	30.75	34.00	52.00	3	11	14	17	54.88	26 CU FT	1.5	15	NEMA 5-15P	800 LBS
	1524	762	781	864	1321		279	356	432	1394					363 KILO
ITDSS3626F-B18	36.00	30.00	30.75	26.00	44.00	2	14		17	30.88	11.4 CU FT	1.5	15	NEMA 5-15P	550 LBS
	914	762	781	660	1118		356		432	784					249 KILO
ITDSS4826F-B18	48.00	30.00	30.75	26.00	44.00	2	14		17	42.88	15.4 CU FT	1.5	15	NEMA 5-15P	640 LBS
	1219	762	781	660	1118		356		432	1089					290 KILO
ITDSS6026F-B18	60.00	30.00	30.75	26.00	44.00	2	14		17	54.88	19.0 CU FT	1.5	15	NEMA 5-15P	700 LBS
	1524	762	781	660	1118		356		432	1394					317 KILO

• Due to continuing engineering improvements, specifications are subject to change without notice.



**FEDERAL INDUSTRIES**  
 A Standex Company  
 215 Federal Avenue, Belleville, Wisconsin 53508-9201

**Phone:** 800-356-4206  
**Fax:** 608-424-3234  
**Email:** Geninfo@Federalind.com  
**Website:** Federalind.com