



The Signature of Quality®

FEDERAL INDUSTRIES

A Standex Company

215 Federal Avenue
Belleville, Wisconsin 53508-9201

Phone: 800-356-4206

Fax: 608-424-3234

Email: Geninfo@Federalind.com

Website: Federalind.com

Project Name: _____

Item #: _____

Model #: _____ Qty: _____

Approval: _____

AIA #

SIS #

ELEMENTS™ REFRIGERATED SELF-SERVE ISLAND MERCHANDISER

Designed with impulse sales in mind. Get maximum return and increased profits with shop-around merchandising.



Model EIMSS84SC-3 Shown
*Black Exterior Finish Only

OPTIONAL ACCESSORIES

- High Capacity Condensate Evaporator Assembly (Field Installed)
 - Requires the removal of the standard Evaporator Assembly shipped with unit, and a separate 208-240V / 20 amp circuit.
- 7 @ # M o o

MODEL	DIMENSIONS <small>(Includes End Panels)</small>
<input type="checkbox"/> EIMSS60SC-3	60 x 40 x 60 (in) 1524 x 1016 x 1524 (mm)
<input type="checkbox"/> EIMSS84SC-3	84 x 40 x 60 (in) 2134 x 1016 x 1524 (mm)

STANDARD FEATURES

Model Features

- Black metal base, interior and canopy.
- Air Deflector
- Easily accessible light switch and temperature control
- Insulated with high-density foam
- Adjustable leg levelers
- Wired for either top or bottom mount electrical connections
- Price tag molding

Refrigeration

- Condensate evaporator provided for a totally self-contained system
- Easy clean, rust-proof insulated evaporator coil compartment
- Refrigeration controls maintain 38°-40°F. Note: Case temperature will vary if the air curtain is disrupted
- R449a Refrigerant
- Thermometer

Shelving

- Adjustable black metal shelves, three tiers

Lighting

- LED top and undershelf lighting
- UL Safety and UL Sanitation Listed to NSF Standard
- DOE 2017 Compliant



WARRANTY*
One year Parts and Labor
2nd thru 5th year part only
service compressor
(U.S.A. and Canada)

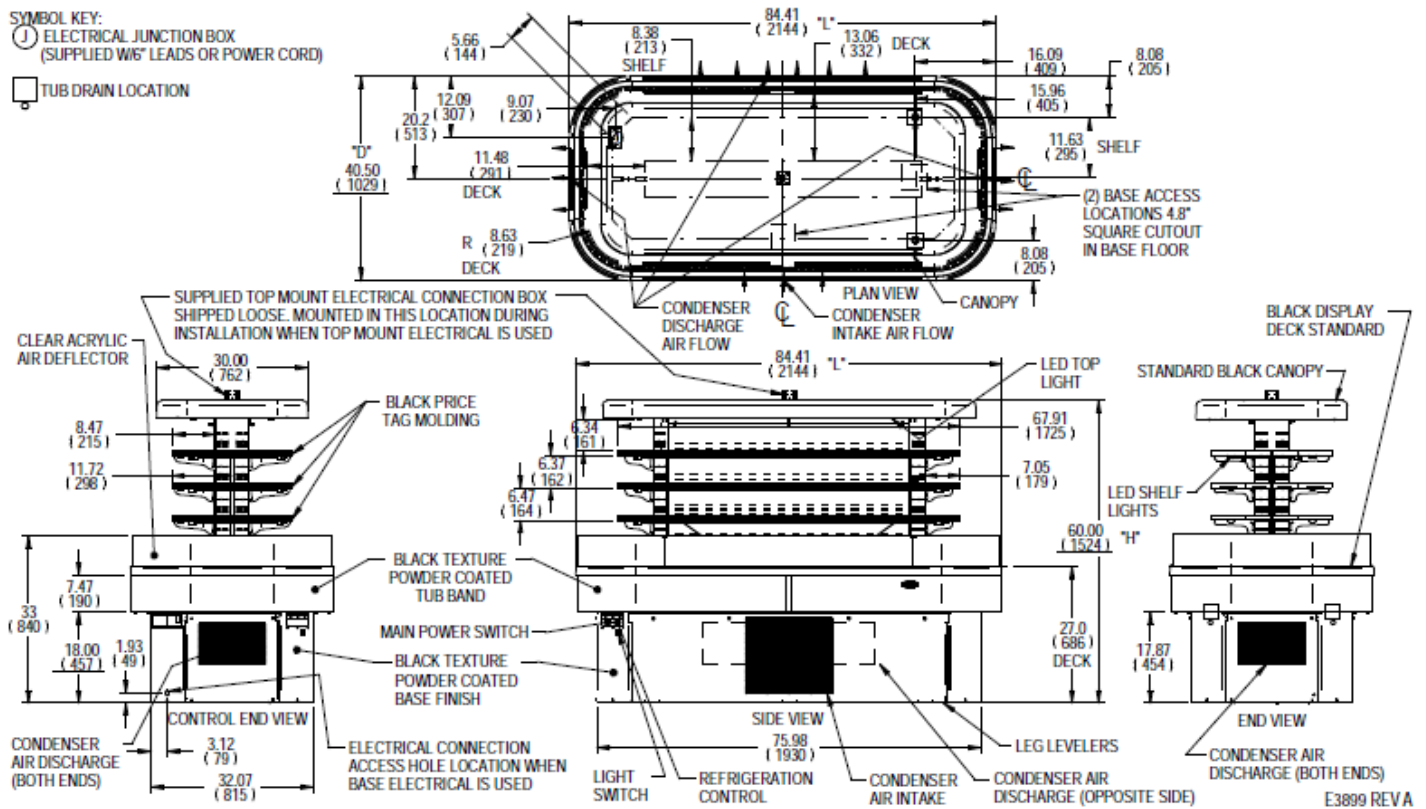
Note: Information is subject to change at any time. Visit www.federalind.com for the most current specs.

AIA #	ELEMENTS™ REFRIGERATED SELF-SERVE ISLAND MERCHANDISER
SIS #	Product Specifications

Intended Environment: Type I - Designed to operate in maximum ambient conditions of 75°F (24°C) and 55% relative humidity unless noted otherwise in system information below.

Zone	Intended Product To Be Displayed	Avg prod temp °F / °C
All	Packaged Refrigerated Products	38°F / (3.3°C)

DIMENSION: xx"/(mm)
DIMENSION TOLERANCE +/- 0.25(6.4)



MODEL	DIMENSION			SHELVING		INTERIOR VOLUME CU FT	PRODUCT AREA SQ FT	PERMANENT CONNECT		REFRIGERANT	C.U. HP	CONDENSATE REMOVAL	SHIP WEIGHT	
	L	D	H	# OF TIERS	D			L	2-WIRE + GROUND					
	in	in	in		in			in	AMPS					MAX FUSE SIZE
EIMSS60SC-3	60.50	40.50	60.00	3	8.5	43.89	16.8	26.0	16	R449a	1.5	CONDENSATE PAN	910 LBS	
	1537	1029	1524		216	1115							413 KILO	
EIMSS84SC-3	84.50	40.50	60.00	3	8.5	67.89	24.8	38.7	16	R449a	1.8	CONDENSATE PAN	1150 LBS	
	2146	1029	1524		216	1724							522 KILO	

- Case temperature will vary if the air curtain disrupted
- Refrigerated cases are designed to operate in a maximum of 75°F (24°C) ambient and 55% relative humidity.
- Due to continuing engineering improvements, specifications are subject to change without notice.



FEDERAL INDUSTRIES
 A Standex Company
 215 Federal Avenue, Belleville, Wisconsin 53508-9201

Phone: 800-356-4206
Fax: 608-424-3234
Email: Geninfo@Federalind.com
Website: Federalind.com