



"WE MAKE THE KITCHEN BETTER!"

ATOSA USA, INC.

Toll Free: 855-855-0399 Email: info@atosausa.com

www.atosa.com | www.atosausa.com

California, Colorado, Florida, Georgia, Illinois,
New Jersey, Ohio, Texas, Washington

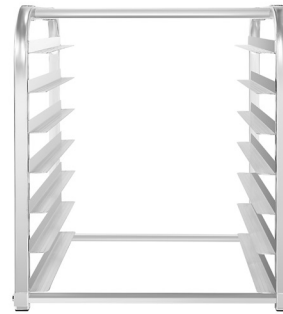
Heavy Duty Bun Pan Racks

MODELS:
MPRA-7 / MPRA-15 / MPRA-20

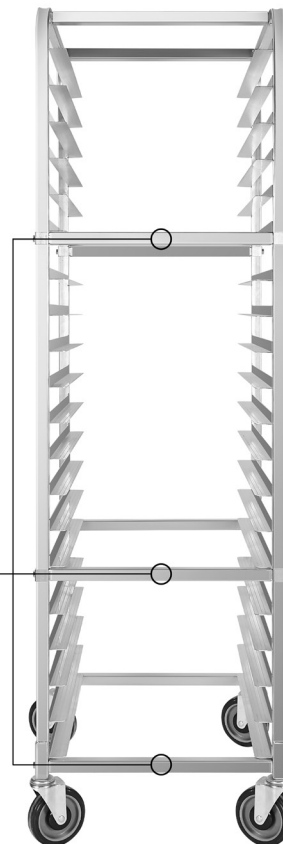
Standard Features

- Stainless steel construction
- Full size sheet pans (18" * 26") or half size sheet pans (13" * 18")
- Available in 7, 15 and 20 pan models
- Swivel casters standard on MPRA-20

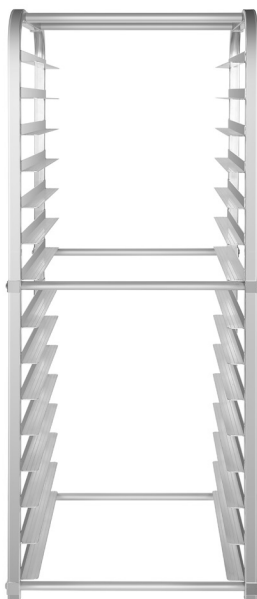
MPRA-7



MPRA-20



MPRA-15



90 DAYS WARRANTY ON WORKMANSHIP

Atosa International
www.atosa.com

Atosa USA
www.atosausa.com



REV. 01/24



ATOSA USA, INC.

Toll Free: 855-855-0399 Email: info@atosausa.com

www.atosa.com | www.atosausa.com

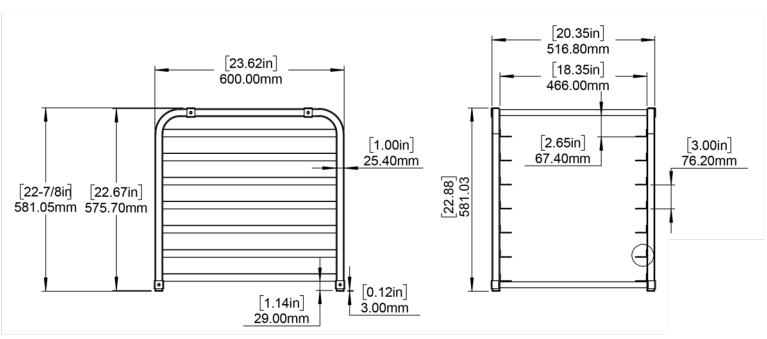
California, Colorado, Florida, Georgia, Illinois,
New Jersey, Ohio, Texas, Washington

“WE MAKE THE KITCHEN BETTER!”

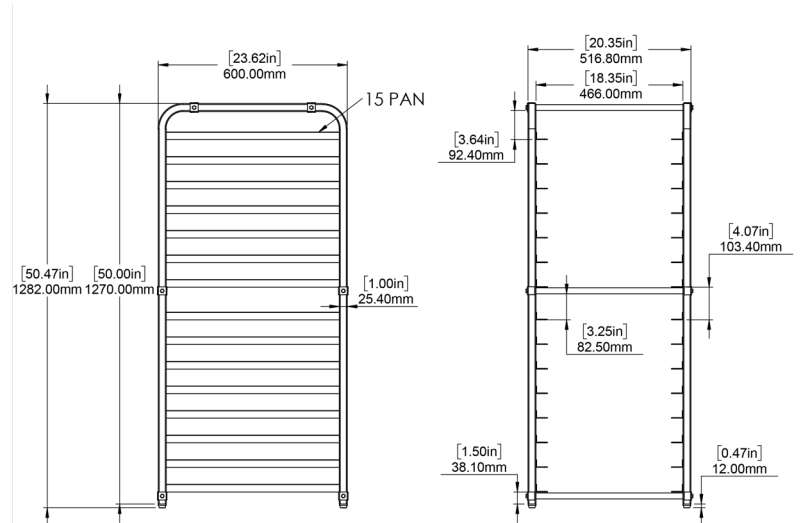
SPECIFICATIONS

Model	Pan Capacity	Total Weight Capacity	Interior Dimensions (LxWxH) (inch)	Exterior Dimensions (LxWxH) (inch)
MPRA-7	7 - 18" x 26" or 14 - 13" x 18"	350 lbs	18 ^{7/20} × 21 ^{31/50} × 22 ^{33/50}	20 ^{7/20} × 23 ^{31/50} × 22 ^{7/8}
MPRA-15	15 - 18" x 26" or 30 - 13" x 18"	500 lbs	18 ^{7/20} × 21 ^{31/50} × 50	20 ^{7/20} × 23 ^{31/50} × 50 ^{23/50}
MPRA-20	20 - 18" x 26" or 40 - 13" x 18"	550 lbs	18 ^{13/50} × 24 × 64 ^{1/2}	20 ^{13/50} × 26 × 70 ^{12/25}

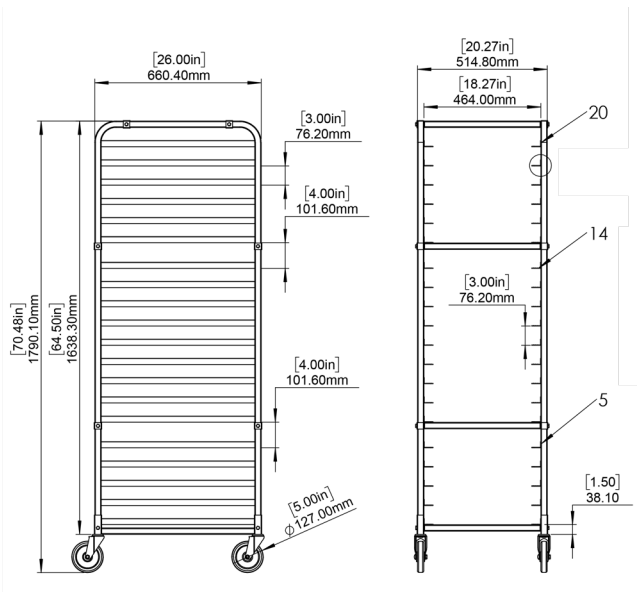
PLAN VIEW



MPRA-7



MPRA-15



MPRA-20