



# KM-350/520/660M\_J

SLIM-LINE MODULAR CRESCENT CUBER



KM-350/520/660M\_J  
12/05/18  
Item # 13260

Item #: \_\_\_\_\_  
Project: \_\_\_\_\_  
Qty: \_\_\_\_\_  
AIA#: \_\_\_\_\_

**W x D x H**  
22" x 27<sup>3/8</sup>" x 28"

**KM|EDGE**  
ICE MACHINE SERIES

### Air-Cooled

- KM-350MAJ ★
- KM-520MAJ ★
- KM-660MAJ

Air-cooled model  
shown on optional bin: B-300



### Water-Cooled

- KM-350MWJ
- KM-520MWJ
- KM-660MWJ

### Remote Air-Cooled


- KM-520MRJ ★
- KM-660MRJ




#### Available on Bins/Dispensers:

- B-250PF B-700PF/SF B-1150SS DB-200H  
B-300PF/SF B-800PF/SF B-1300SS DM-200B  
B-500PF/SF B-900PF/SF DB-130H

Top kit may be required. See bin spec sheets.

## Features

- ▶ Individual crescent cube
- ▶ Factory-installed ultrasonic bin control can be adjusted on site
- ▶ Simple, one-hour cleaning process 

- Durable construction with fewer parts
- Self-diagnostic programming automatically adjusts to changing conditions
- Snap fit parts for easy cleaning
- Stainless steel double-sided evaporator
- CycleSaver™ design 
- Protected by H-GUARD Plus  Antimicrobial Agent
- EverCheck™ alert system 
- Removable air filters (air-cooled model only)
- R-404A Refrigerant

#### Warranty:

3 Year Parts & Labor on entire machine 5 Year Parts & Labor on evaporator  
5 Year Parts on Compressor; air-cooled condenser coil  
Valid in United States, Canada, Puerto Rico and U.S. Territories. Contact factory for warranty in other countries.

Shipping: (LxWxH) 33" x 25.25" X 34" Volume: 16.39ft<sup>3</sup>



| Condenser | Model       | ICE PRODUCTION                                    |          | WATER USAGE                              |  | ELECTRICAL                           |  |          |           |  | Heat Rejection<br>BTU/hr. | Refrigerant<br>Charge Amount                | Net / Ship<br>Weight (lbs.) |
|-----------|-------------|---|----------|--|--|--------------------------------------|--|----------|-----------|--|---------------------------|---|-----------------------------|
|           |             | Air / Water Temp<br>Lbs. per 24 hours<br>70°/50°F | 90°/70°F | Potable<br>Gal. per 100 lbs.<br>90°/70°F | Condenser<br>Gal. per 100 lbs.<br>90°/70°F | kWh Used<br>per 100 lbs.<br>90°/70°F | Min. Circuit<br>Amp - Max.<br>Fuse/Breaker | Amperage | Voltage   | Circuit<br>Wires<br>(including ground) |                           |   |                             |
| Air       | KM-350MAJ ★ | 489   | 393      | 14.5                                     | N/A  | 5.42                                 | 15A  | 9.05A    | 115V/60/1 | 3                                      | 5,700                     | 1 lb. 3.4 oz.                               | 125 / 145                   |
| Water     | KM-350MWJ   | 414   | 383      | 15.5                                     | 109  | 4.90                                 | 15A  | 7.5A     | 115V/60/1 | 3                                      | 6,600                     | 11.6 oz.                                    | 126 / 146                   |
| Air       | KM-520MAJ ★ | 556   | 480      | 14.7                                     | N/A  | 4.68                                 | 20A  | 10.6A    | 115V/60/1 | 3                                      | 6,600                     | 1 lb. 10.8 oz.                              | 131 / 175                   |
| Water     | KM-520MWJ   | 474   | 444      | 14.8                                     | 75   | 4.65                                 | 20A  | 8.45A    | 115V/60/1 | 3                                      | 6,300                     | 12.7 oz.                                    | 127 / 173                   |
| Remote    | KM-520MRJ ★ | 547   | 495      | 13.6                                     | N/A  | 4.80                                 | 20A  | 12.05A   | 115V/60/1 | 3                                      | 6,200                     | 2 lb. 4.7 oz.<br>4 lb. 2.7 oz. <sup>†</sup> | 122 / 170                   |
| Air       | KM-660MAJ   | 665   | 617      | 14.8                                     | N/A  | 5.12                                 | 20A  | 15.2A    | 115V/60/1 | 3                                      | 8,000                     | 1 lb. 9.8 oz.                               | 131 / 151                   |
| Water     | KM-660MWJ   | 669   | 668      | 16.1                                     | 152  | 4.28                                 | 20A  | 12.35A   | 115V/60/1 | 3                                      | 8,900                     | 15.2 oz.                                    | 130 / 146                   |
| Remote    | KM-660MRJ   | 646   | 602      | 14.7                                     | N/A  | 5.60                                 | 20A  | 16.1A    | 115V/60/1 | 3                                      | 8,100                     | 2 lb. 4.7 oz.<br>4 lb. 2.7 oz. <sup>†</sup> | 122 / 142                   |

<sup>†</sup> (with condenser)

Power cord not included. Must be hard-wired at site.  
Hoshizaki reserves the right to change specifications without notice.



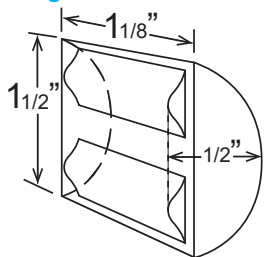
# KM-350/520/660M\_J

## SLIM-LINE MODULAR CRESCENT CUBER



KM-350/520/660M\_J  
12/05/18  
Item # 13260

### KM Edge Cube Dimensions†



† approximate size in inches, image not to scale

### Operating Limits

- Ambient Temp Range 45 - 100°F
- Water Temp Range 45 - 90°F
- Water Pressure 10 - 113 PSIG
- Voltage Range 104 - 127V

### Service

- Panels easily removed and all components accessible for service.
- Removable/cleanable air filters. (Air-cooled model only)
- Allow 6" (15 cm) clearance at rear, sides, and top for proper air circulation and ease of maintenance/service.

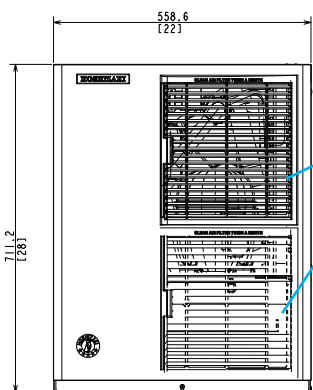
### Plumbing

- Icemaker water supply line: minimum 1/4" nominal ID copper water tubing or equivalent
- Icemaker drain line: minimum 3/4" nominal ID hard pipe or equivalent Water-Cooled Model (Lines Must Be Independent of Icemaker)
- Condenser water supply line: minimum 1/4" nominal ID copper water tubing or equivalent
- Condenser drain/return line: minimum 1/4" nominal ID hard pipe (open drain system) or copper water tubing (closed loop system) or equivalent

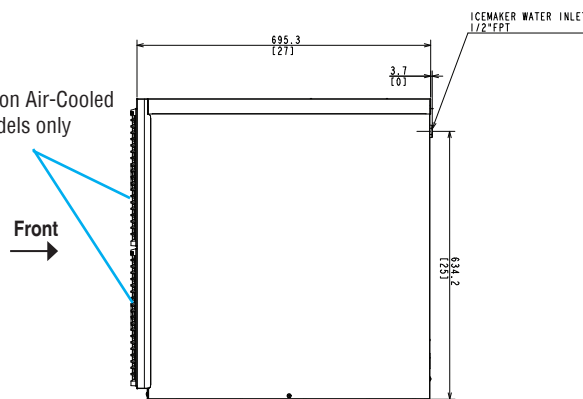
### Water Filter

Please refer to water filter specification sheet for recommendations.

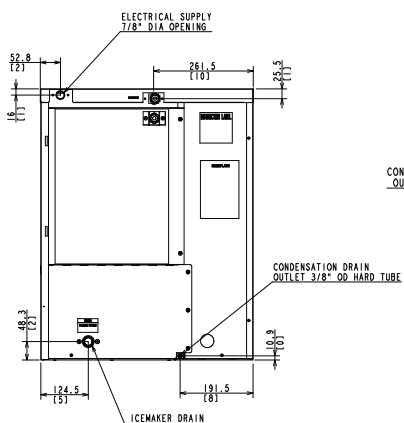
FRONT VIEW



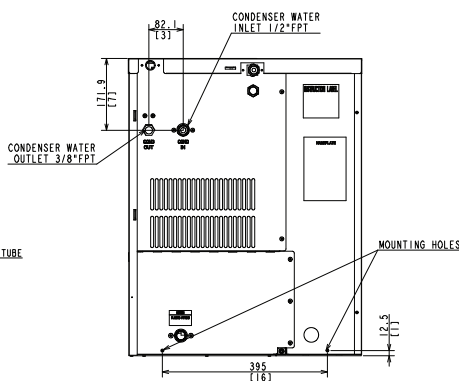
SIDE VIEW



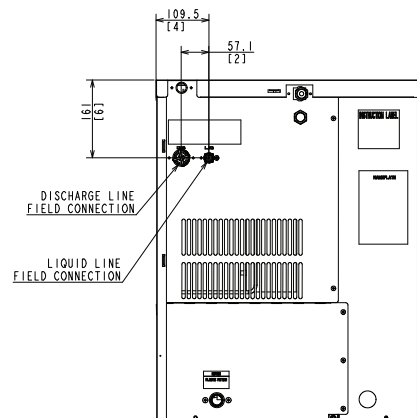
REAR VIEW



AIR-COOLED

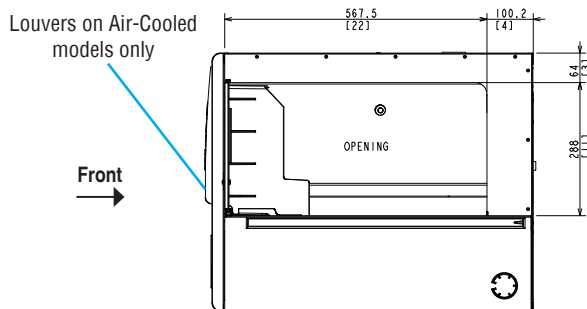


WATER-COOLED



REMOTE AIR-COOLED

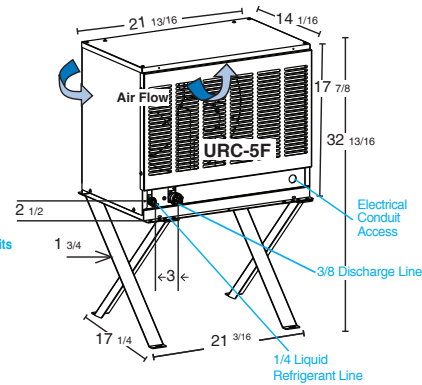
BOTTOM VIEW



### URC-5F Remote Condenser (Sold Separately)

(W x D x H) 21 13/16 x 14 1/16 x 32 13/16

For Use with KM-520MRJ and KM-660MRJ



Pre-Charged Tubing Kits (Sold Separately)  
20' R404-2046-2  
35' R404-3546-2  
Voltage supply for the URC Remote Condenser is supplied from the Ice Maker. No additional circuit is required.