



KMD-410M_H

MODULAR CRESCENT CUBER



KMD-410M_H
12/04/17
Item # 13247

Item #: _____
Project: _____
Qty: _____
AIA#: _____

W x D x H
22" x 24" x 24"

Shipping Dimensions
30" x 29" x 32"

KMD-410MAH

Air-Cooled


Shown on an optional
Lancer 22" dispenser


KMD-410MWH

Water-Cooled



Features

- ▶ Individual crescent cube
- ▶ Stainless steel evaporator
- ▶ CycleSaver™ design 

- Up to 440 lbs. of ice production per 24 hours
- Durable stainless steel exterior
- EverCheck™ alert system 
- Removable air filters (Air-cooled model only)
- R-404A Refrigerant

Available on Bins:

B-250PF **B-500PF/SF** **B-800PF/SF**
BD-300PF/SF **B-700PF/SF** **B-900PF/SF**

Top kit may be required. See Bin Spec Sheets.

Warranty:

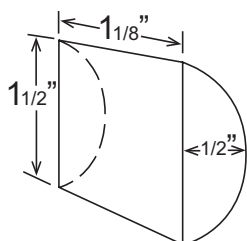
3 Year Parts & Labor on entire machine. 5 Year Parts & Labor on Evaporator. 5 Year Parts on Compressor; air-cooled condenser coil. Valid in United States, Canada, Puerto Rico and U.S. Territories. Contact factory for warranty in other countries.



Condenser	Model	ICE PRODUCTION		WATER USAGE		ELECTRICAL*						Refrigerant Charge Amount	Net / Ship Weight (lbs.)	
		Air / Water Temp Lbs. per 24 hours 70° / 50°F 90° / 70°F	Potable Gal. per 100 lbs. 90° / 70°F	Condenser Gal. per 100 lbs. 90° / 70°F	kWh Used per 100 lbs. 90° / 70°F	Max. Fuse Sz or HACR Circuit Bkr	Amperage	Voltage	Circuit Wires (including ground)	Heat Rejection BTU/hr.				
3 Phase	Air	KMD-410MAH	415	324	22.6	N/A	5.8	20A	8.0A	115V/60/1	3	6,000	1 lbs. 2.3 oz.	126 / 161
	Water	KMD-410MWH	440	382	23.2	145	4.3	20A	6.5A	115V/60/1	3	6,300	14.1 oz.	128 / 163

*If neutral is not available transformer kit (HS-5030) is required. Refer to instruction manual for installation and electrical requirements.

KM Cube Dimensions*



* approximate size in inches, image not to scale

Operating Limits

- Ambient Temp Range 45 - 100°F
- Water Temp Range 45 - 90°F
- Water Pressure 10 - 113 PSIG
- Voltage Range 104-127V

Service

- Panels easily removed and all components accessible for service.
- For proper air circulation and ease of maintenance/service, allow 6" (15 cm) clearance at rear, left side, and top and allow 12" (30 cm) clearance at right side for both air-cooled and water-cooled models.

Plumbing

- Icemaker Water Supply Line: Min. 1/4" Nominal ID Copper Water Tubing or Equivalent
- Icemaker Drain Line: Min. 3/4" Nominal ID Hard Pipe or Equivalent Water-Cooled Model (Lines Must Be Independent of Icemaker)
- Condenser Water Supply Line: Min. 1/4" Nominal ID Copper Water Tubing or Equivalent
- Condenser Drain/Return Line: Min. 1/4" Nominal ID Hard Pipe (open drain system) or Copper Water Tubing (closed loop system) or Equivalent

Water Filter

Please refer to water filter spec sheet for recommended configurations.

Hoshizaki reserves the right to change specifications without notice.



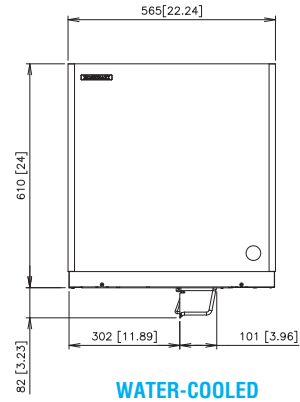
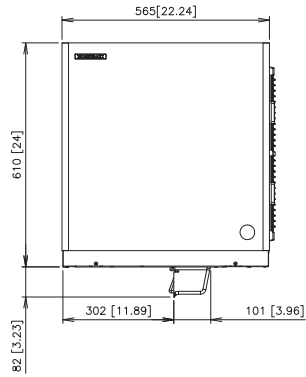
KMD-410M_H

MODULAR CRESCENT CUBER

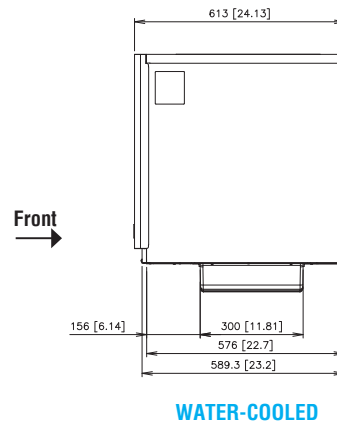
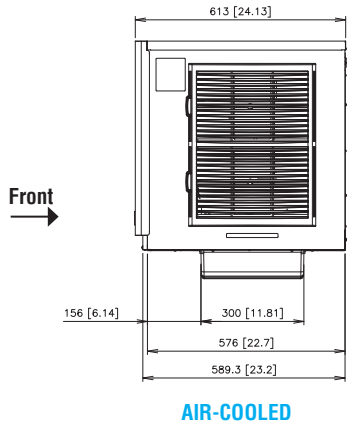


KMD-410M_H
12/04/17
Item # 13247

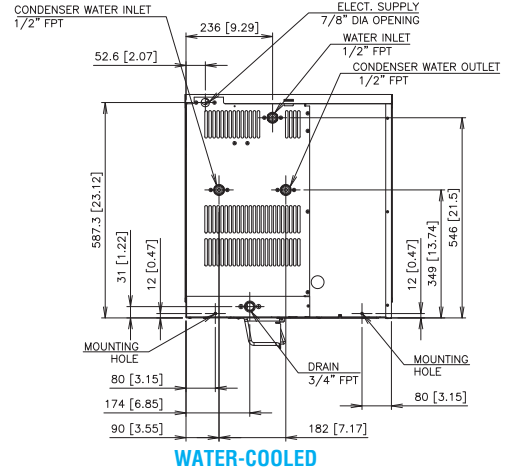
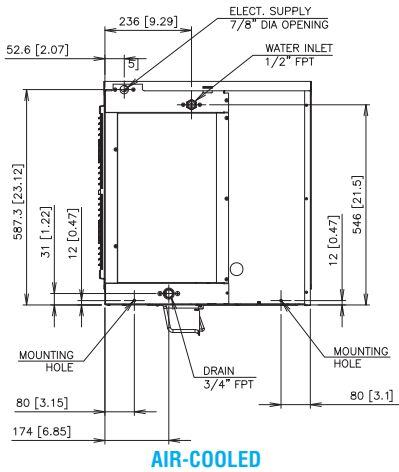
FRONT VIEW



SIDE VIEW



REAR VIEW



BOTTOM VIEW

